


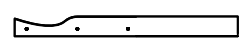

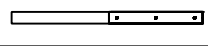




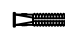
ASSEMBLY INSTRUCTION

ITEM: 5878-90251-80 5/0 Panel Headboard

5878-90267-80 6/0-6/6 Panel Headboard

Thank you for purchasing this quality product. Be sure to unpack carefully looking for small parts which may have come loose during shipment.

Read all instruction and study the drawing carefully before starting the assembly process .

| HARDWARE LIST | | | | | PARTS LIST | | | |
|---------------|---|----------------|-----------|------|------------|--|-------------|------|
| NO. | DRAWING | DESCRIPTION | SIZE | Q'TY | NO. | DRAWING | DESCRIPTION | Q'TY |
| A |  | Allen Wrench | 73*29*5mm | 1PC | 1 |  | Side post | 2PCS |
| B |  | Bolt | Ø5/16" | 9PCS | 2 |  | Middle post | 1PC |
| C |  | Lock Washer | Ø5/16" | 9PCS | 3 |  | Headboard | 1PC |
| D |  | Flat Washer | Ø5/16" | 9PCS | | | | |
| E |  | Hook | 4*53mm | 2PCS | | | | |
| F |  | Plastic Anchor | ∅ 9*30mm | 2PCS | | | | |

When using headboard only, hang the metal ring (G) onto the hook (E)

