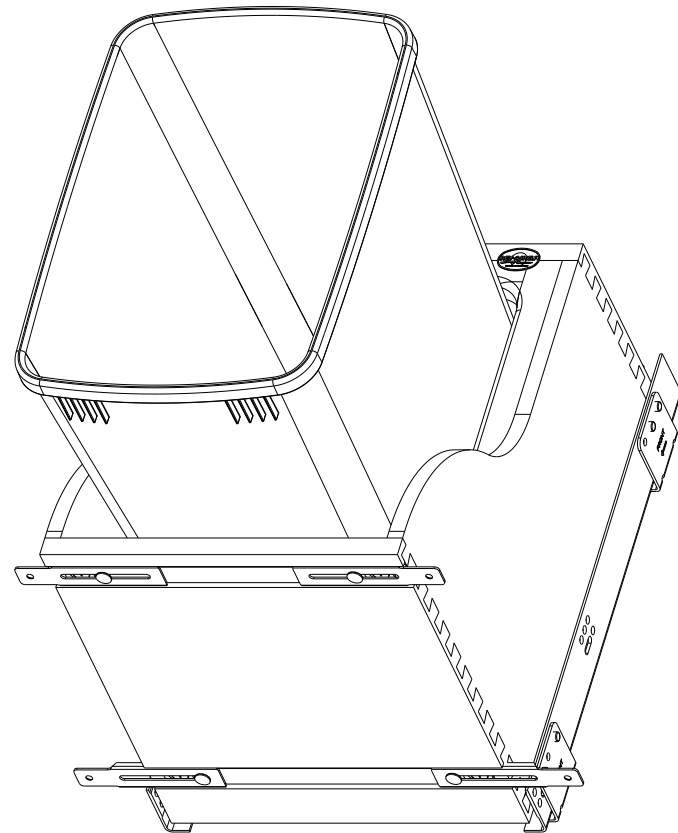


CUSTOMER DRAWING

This drawing is the property of Rev-A-Shelf (RAS) and is disclosed in confidence to the extent its subject matter is original to RAS. Any vendor receiving this drawing from RAS shall hold and use this drawing for the sole benefit of RAS and shall not disclose it to, or use or reproduce it for any third party, or perform any act adverse to the interest of RAS with respect to this drawing without the express written permission of RAS. Vendors shall not revise any physical, dimensional or performance characteristic unless authorized by Rev-A-Shelf Engineering.

REV.	DATE	BY	DESCRIPTION OF CHANGE

INCH [MM]	AMERICAN PROJECTION 	BY	DATE	REV-A-SHELF, INC.	
		DRAWN	KRR	10-11-21	SIZE B
TOLERANCES		MATERIAL	DRAWING NO.	SCALE	SHEET OF
MAT.	DEC.		4WCSC-1532DM16-1	0.188	
(WOOD) .XX ±.03 [.8mm]		FINISH	PART NO.	SHEET OF	1 OF 2
(OTHER) .XX ±.02 [.5mm]			4WCSC-1532DM16-1	1 OF 2	
(ALL) .XXX ±.005 [.13 mm]		ANGLES ±1/2°			
FRACTIONS ±1/32 [.8 mm]					



PART DIMENSIONS		
	MIN	MAX
WIDTH	11.88	
DEPTH	15.67	
HEIGHT	19.37	
CONTAINER CAPACITY	32	
CONTAINER UOM	QUART	

MIN CABINET OPENING				
	FACE FRAME	FRAMELESS	INSET FACE FRAME	INSET FRAMELESS
WIDTH	12.00	12.00	12.00	12.00
DEPTH	15.75	15.75	16.50	16.50
HEIGHT	19.75	19.75	19.75	19.75

SLIDE SPECIFICATIONS				
SLIDE MANUFACTURER	BLUM			
SLIDE PART NUMBER	563H3810B	RELEASE PART NUMBER	T51-1801	
SLIDE TYPE	BLUMOTION	SLIDE EXTENSION	FULL	MAX WEIGHT RATING
SLIDE CLOSING	SOFT CLOSE	SLIDE LENGTH	15.00	
SLIDE MOUNTING	BOTTOM	SLIDE FINISH	ZINC	90 LB

CUSTOMER DRAWING

This drawing is the property of Rev-A-Shelf (RAS) and is disclosed in confidence to the extent its subject matter is original to RAS. Any vendor receiving this drawing from RAS shall hold and use this drawing for the sole benefit of RAS and shall not disclose it to, or use or reproduce it for any third party, or perform any act adverse to the interest of RAS with respect to this drawing without the express written permission of RAS. Vendors shall not revise any physical, dimensional or performance characteristic unless authorized by Rev-A-Shelf Engineering.

REV.	DATE	BY	DESCRIPTION OF CHANGE

INCH [MM]	AMERICAN PROJECTION	DRAWN	BY	DATE	REV-A-SHELF, INC.
			KRR	10-11-21	
			SIZE	SINGLE 32 QT PULL OUT	
			MATERIAL	DRAWING NO.	SCALE
			FINISH	4WCSC-1532DM16-1	0.188
				PART NO.	SHEET OF
				4WCSC-1532DM16-1	2 OF 2

TOLERANCES  
 MAT. DEC.  
 (WOOD) .XX ±.03 [.8mm]  
 (OTHER) .XX ±.02 [.5mm]  
 (ALL) .XXX ±.005 [.13 mm]  
 FRACTIONS ±1/32 [.8 mm]

ANGLES ±1/2°