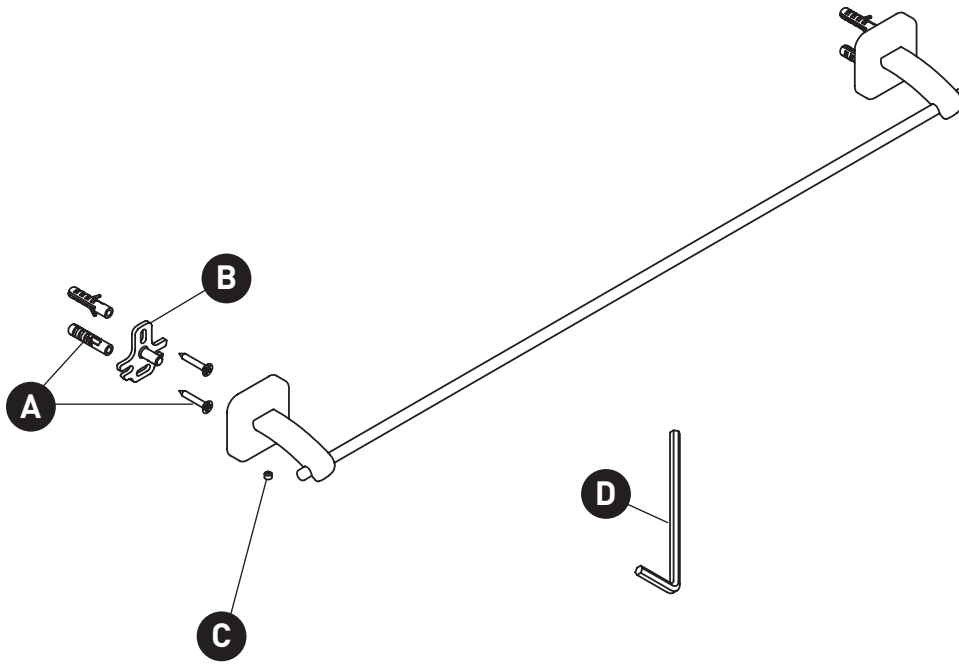


ORDER BY PART NUMBER

ILLUSTRATED PARTS

SA5

Salomé™ 24" Towel Bar



ID	Kit Number	Finish
A	7520 (x2)	N/A
B	390-701 (x2)	N/A
C	157-040 (x2)	See below
D	505-025	N/A

***Finish Determined by Suffix**

Finish	Description
C	Polished Chrome
PN	Polished Nickel

For warranty or additional information, contact:

U.S.A.
houseofrohl.com/support
1-800-777-9762

QUEBEC / MARITIMES / WESTERN CANADA
QUÉBEC / MARITIMES / OUEST CANADIEN
QUEBEC / MARITIMOS / CANADA OCCIDENTAL
houseofrohl.ca/support
1-866-473-8442

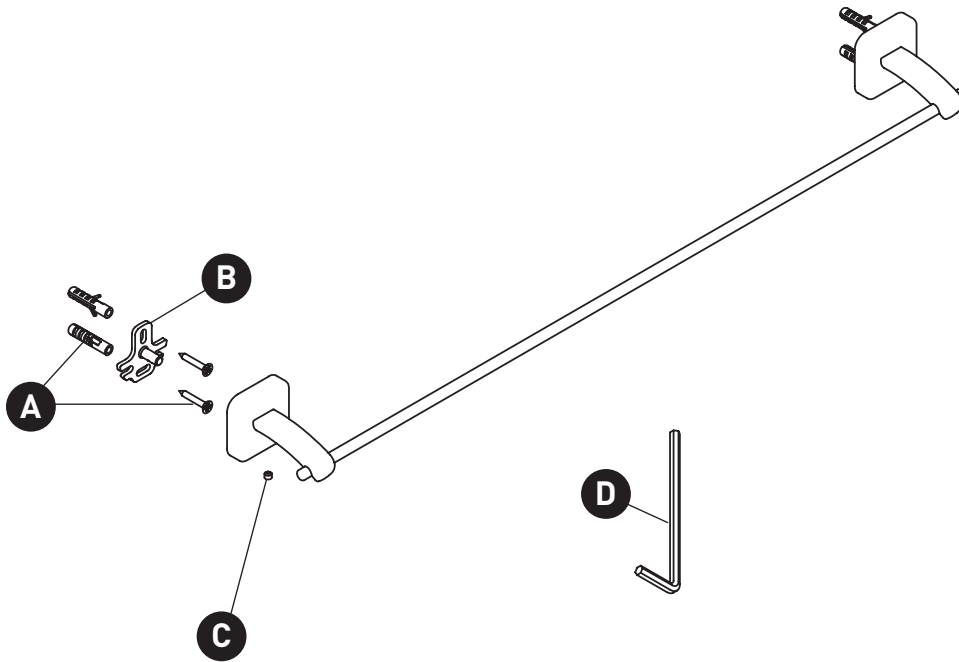
ONTARIO
houseofrohl.ca/support
1-800-287-5354

VEUILLEZ EFFECTUER VOTRE COMMANDE
PAR NO DE RÉFÉRENCE

ILLUSTRATIONS DES PIÈCES

SA5

Porte-serviette 60cm (24") Salomé™



ID	Référence du kit	Finition
A	7520 (x2)	N/A
B	390-701 (x2)	N/A
C	157-040 (x2)	See below
D	505-025	N/A

***Finition déterminée par le Suffixe**

Finition	Description
C	Chrome
PN	Nickel poli

For warranty or additional information, contact:

U.S.A.
houseofrohl.com/support
1-800-777-9762

QUEBEC / MARITIMES / WESTERN CANADA
QUÉBEC / MARITIMES / OUEST CANADIEN
QUEBEC / MARITIMOS / CANADA OCCIDENTAL
houseofrohl.ca/support
1-866-473-8442

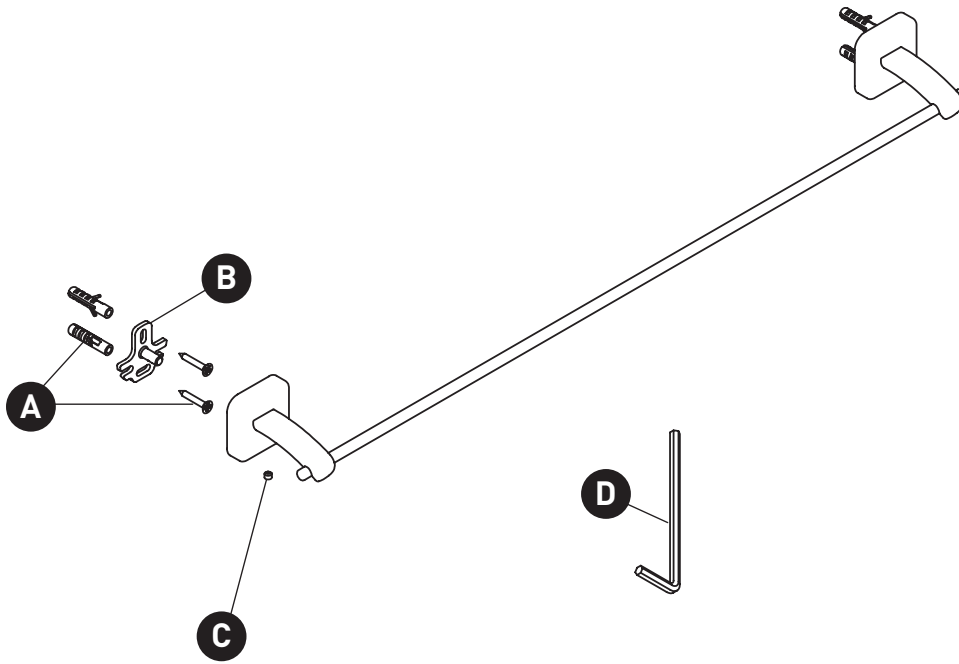
ONTARIO
houseofrohl.ca/support
1-800-287-5354

PEDIR POR NÚMERO DE REFERENCIA

PIEZAS ILUSTRADAS

SA5

Barra para toallas Salomé™ de 24"



ID	Referencia del kit	Acabado
A	7520 (x2)	N/A
B	390-701 (x2)	N/A
C	157-040 (x2)	See below
D	505-025	N/A

***Acabado determinado por el sufijo**

Acabado	Descripción
C	Cromo
PN	Níquel pulido

For warranty or additional information, contact:

U.S.A.
houseofrohl.com/support
1-800-777-9762

QUEBEC / MARITIMES / WESTERN CANADA
QUÉBEC / MARITIMES / OUEST CANADIEN
QUEBEC / MARITIMOS / CANADA OCCIDENTAL
houseofrohl.ca/support
1-866-473-8442

ONTARIO
houseofrohl.ca/support
1-800-287-5354