

Seat shall be Comfort<sup>™</sup> Seats

**Model Number C8019S** Closed Front with Cover

**C8019-OS** Open Front with Cover

(Available January 2013)

## Heavy Duty Commercial Toilet Seat

Elongated Closed Front with Cover

### Category

LIGHT COMMERCIAL & RESIDENTIAL

### Features

- Injection molded durable polypropylene plastic with UV protection
- EZ Close<sup>™</sup> feature replaces the need for self-sustaining
- Four built-in bumpers for stability
- Non-skid rubberized pads to minimize movement and potential for seat loosening
- Molded in bumpers
- Matching adjustable hinge
- Corrosion proof POM nuts, bolts and washers
- Stainless steel pintels for durability
- Top mount design for ease of installation and maintenance
- Accepts steel (C200HPM) and 304 stainless (C200HPSS) hardware

### Seat Color/Finish

Specify white

### Hinge Color/Finish

Specify white

### Product Specifications

Hinge Design: Color-matched hinge containing stainless steel pintels

Ring Thickness: 7/8"

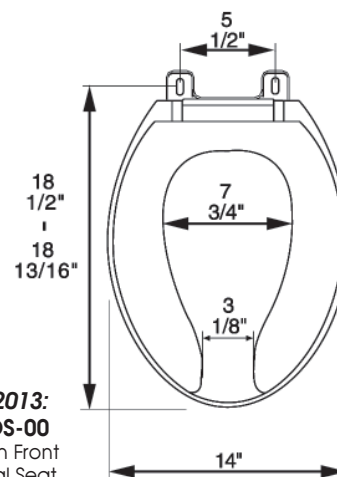
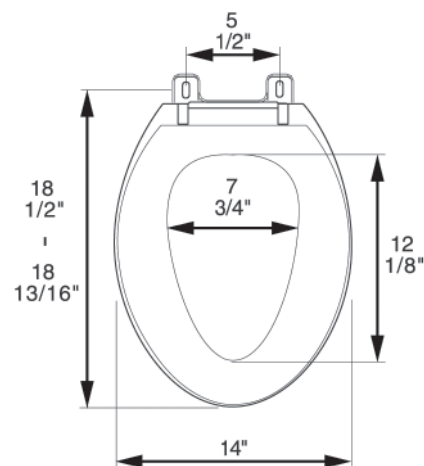
Ring Thickness with Bumper: 1"

Height of Seat with Cover: 2 3/4"

Size: ANSI Standard Toilet - Meets Z124.5 Section 5.1.2

### Additional Information

Stainless Steel (Model #C200-HPSS) or Metal (Model #C200-HPM) installation hardware for commercial/hospitality installations. All seats feature UV protection.



Corrosion proof, self-aligning hardware



Factory-installed "living" hinge covers

**Available January 2013:**  
**Model No. C8019-OS-00**  
 Elongated Plastic Open Front  
 with Cover Commercial Seat