

## 1 YEAR LIMITED WARRANTY

PT POWER® extends only the following warranties, and only to original retail purchasers. These warranties give specific legal rights. Except where prohibited by local law, the law of the State of Washington governs all warranties and all exclusions and limitations of warranties and remedies. There may be other rights which vary from state to state.

PT POWER® warrants the product to be free from defects in materials and workmanship under normal use and service. A defective product may be returned for a free replacement within 90 days from the date of purchase, provided that product is returned to place of purchase immediately after discovery of defect. After 90 days and up to one year from date of purchase, PT POWER® will replace at no charge any parts which our examination shall disclose to be defective and under warranty. These warranties shall be valid only when a sales receipt showing the date of purchase accompanies the defective product or defective part (s) being returned. For part (s) after 90 days, please remit your request, postage prepaid to:

PT POWER, P.O. Box 88259 Tukwila, WA 98138

These warranties exclude blades, bits, punches, dies, bulbs, fuses, hoses, and other consumables which must be replaced under normal use and service. These warranties shall not apply to any product or part which is used for a purpose for which it is not designed, or which has been repaired or altered in any way so as to affect adversely its performance or reliability, nor shall these warranties apply to any product or part which has been subject to misuse, neglect, accident or wear and tear incident to normal use and service.

PT POWER® does not authorize any other person to make any warranty or to assume any liability in connection with its products.

Except for warranties of title and the limited express warranties set forth above, PT POWER® makes no express or implied warranties of any kind with respect to its products. In particular, PT POWER® makes no implied warranty of merchantability and no implied warranty of fitness for any particular purpose, except that for goods purchased primarily for personal, family or household use and not for commercial or business use, PT POWER® makes an implied warranty of merchantability (and, if otherwise applicable, an implied warranty of fitness for a particular purpose), but only for the particular qualities or characteristics, and for the duration, expressly warranted above.

The laws on limitation of implied warranties may differ from state to state, so the above limitations may not apply in all cases.

PT POWER® shall not be liable for consequential, incidental or special damages resulting from or in any manner related to any product, or to the design, use, or any inability to use the product. The sole and exclusive remedy for a defective product or part shall be the repair, or replacement thereof as provided above. The laws on limitation of remedies or on consequential, incidental or special damages may vary from state to state, so the above limitations may not apply in all cases.

On occasion, after printing of our literature is completed, our manufacturers may make changes and/or modifications to merchandise which will not be reflected in this manual. Although we strive to maintain complete and accurate information, it is possible in some instances, that the product may differ slightly from printed specifications. Illustrations are intended for reference only. Actual merchandise may vary. Wilmar is not responsible for typographical errors.



© Copyright 2018 WILMAR CORPORATION, P.O. Box 88259 Tukwila, WA 98138

# WIDE ANGLE LED WORK LIGHT

Item Number W2239

## OWNER'S MANUAL



### ▲ WARNING!

*It is the owner and/or operators' responsibility to study all WARNINGS, operating, and maintenance instructions contained on the product label and instruction manual prior to operation of this work light. The owner/operator shall retain product instructions for future reference.*

*The owner and/or operator are responsible for maintenance, maintaining all decals or warning labels and while in use, maintaining the unit in good working order. If the owner and/or operator are not fluent in English, the product warnings and instructions shall be read and discussed with the operators' native language by the purchaser/owner or his designee. Make sure that the operator comprehends its contents. Safety information shall be emphasized and understood prior to usage. The work light shall be inspected per the operating instructions.*

*Protect yourself and others by observing all safety information.*

*Failure to comply with instructions could result in personal injury and/or property damage! If you encounter any problems or difficulties, please contact our customer service department at: 1-800-426-1262 between 6:30 a.m. and 4:30 p.m. Pacific time.*

**Please read these instructions carefully and retain them for future use.**

**▲WARNING!** TO PREVENT ELECTRIC SHOCK AND DEATH FROM INCORRECT GROUNDING WIRE CONNECTION: ALWAYS USE A GROUNDED 3-PRONG OUTLET.

Check with a qualified electrician if you are in doubt as to whether the outlet is properly grounded. Do not modify the power cord plug provided with the light. Never remove the grounding prong from the plug. Do not use the light if the power cord or plug is damaged. If damaged, have it repaired by a service facility before use. If the plug will not fit the outlet, have a proper outlet installed by a qualified electrician.

**▲WARNING!** If the supply cord of this light is damaged, it must be replaced only by a qualified service technician.

**Note:** Replacement parts may not be available for this item.

## IMPORTANT SAFETY INSTRUCTIONS

**▲WARNING** – To reduce the risk of FIRE, ELECTRIC SHOCK, EXPOSURE TO EXCESSIVE UV RADIATION, OR INJURY TO PERSONS:

1. Do not look directly at lighted work light.
2. Avoid electric shock. Do not use with an extension cord near water or where water may accumulate. Keep the light at least 16 feet (5 m) from pools and spas. Keep plugs and receptacles dry. Use only on GFCI-protected circuits. Do not submerge the light in water.
3. The light is not waterproof. Use extreme caution in any wet location.
4. Be careful when using tripod. Make certain that the area is clear of debris and obstructions that may bump the light.
5. Do not obstruct walkways or common areas with the cord.
6. Maintain labels and nameplates on the light. These carry important safety information.
7. This product is not intended for use in a residence or to be mounted in a cabinet. This product is not suitable for recessed installation in ceilings or on buildings. This product can cause a fire.
8. Do not leave the light unattended when it is plugged into an electrical outlet. Turn off the light, and unplug it from its electrical outlet before leaving.
9. This product is not a toy. Keep it out of reach of children.
10. People with pacemakers should consult their physician(s) before use. Electromagnetic fields in close proximity to heart pacemaker could cause pacemaker interference or pacemaker failure. In addition, people with pacemakers should:
  - Avoid operating alone.
  - Properly maintain and inspect to avoid electrical shock.
  - Properly ground power cord. Ground Fault Circuit Interrupter (GFCI) should also be implemented – it prevents sustained electrical shock
11. **▲WARNING:** Handling the cord on this product will expose you to lead, a chemical known to the State of California to cause cancer, and birth defects or other reproductive harm. Wash hands after handling.
12. The warnings, precautions, and instructions discussed in this instruction manual cannot cover all possible conditions and situations that may occur. It must be understood by the operator that common sense and caution are factors which cannot be built into this product, but must be supplied by the operator.
13. Do not operate the light in explosive atmospheres, such as in the presence of flammable liquids, gases, or dust. A light creates sparks which may ignite the dust or fumes.
14. Do not abuse the cord. Never use the cord for carrying, pulling, or unplugging the light. Keep the cord away from heat, oil, sharp edges, and moving parts. Damaged or entangled cords increase the risk of electric shock.
15. Stay alert, watch what you are doing, and use common sense when operating the light. Do not use light while you are tired or under the influence of drugs, alcohol, or medication. A moment of inattention while operating light may result in serious personal injury.
16. Do not use the light if the On/Off Button does not turn it on and off. Any light that cannot be controlled with the power button is dangerous and must be repaired.
17. Have the light serviced by a qualified repair person. Use only identical replacement parts. This will ensure that the safety of the light is maintained.
18. Wear ANSI-approved goggles during setup and use.

## SETUP

1. Place the Base Assembly (29) on a flat surface, and position the Base Bracket Knob (26) through the hole in the Base U-bracket (31).
2. Place the Plastic Washer (28) onto the threaded portion of the Base Bracket Knob (26).
3. Position the hole in the bottom of the center cross bar on the Base Assembly (29) so it lines up with the Base Bracket Knob (26) threads and hand tighten.

## OPERATING INSTRUCTIONS

Read the ENTIRE IMPORTANT SAFETY INSTRUCTIONS section at the beginning of this manual, including all text under subheadings therein before setup or use of this product.

1. Plug the Light into a standard 120V grounded, electric outlet.
2. To turn on, push the power switch on the back of the light to the on position.
3. To turn off, push the power switch to the off position.
4. To prevent accidents; turn off light and disconnect power supply after use. Clean, then store the light indoors out of children's reach.

### TO PREVENT SERIOUS INJURY FROM ACCIDENTAL OPERATION:

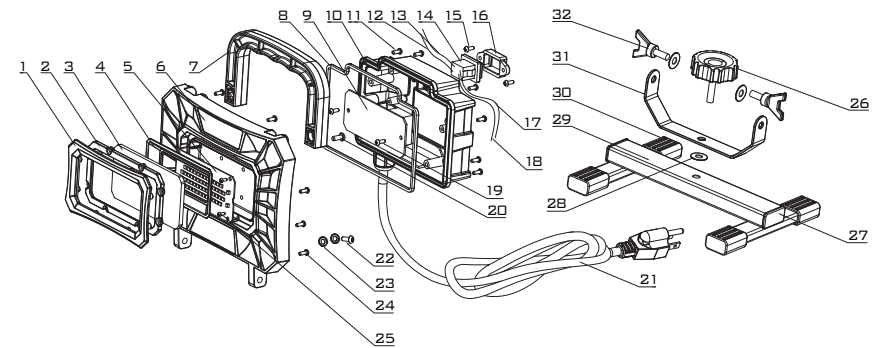
Make sure that the On/Off Button is in the OFF position and unplug the tool from its electrical outlet before performing any procedure in this section.

### TO PREVENT SERIOUS INJURY FROM LIGHT FAILURE:

Do not use damaged equipment. If damage is noted, have the problem corrected before further use.

1. **BEFORE EACH USE**, inspect the general condition of the light. Check for loose hardware, damaged cord/electrical wiring, cracked or broken parts and any other condition that may affect its safe operation.
2. **AFTER USE**, wipe external surfaces of the light with a clean cloth.

## PARTS DIAGRAM



## PARTS LIST

No.	Description	Qty.	Part	Description	Qty
1	ABS Frame	1	17	White 18GA Wire	1
2	Rubber Gasket	1	18	Black 18GA Wire	1
3	Tempered Glass Lens	1	19	ST3 x 10 Screw	2
4	ABS Reflector	1	20	M4 x 10 Screw	2
5	Aluminum LED board	1	21	Power Cord	1
6	Work Light Housing	1	22	M4 x 8 Screw	1
7	Handle	1	23	Washer	2
8	Rubber Gasket	1	24	ST3 x 10 Screw	8
9	LED Driver	1	25	M3 x 5 Screw	4
10	LED Driver Housing	1	26	Base Bracket Knob	1
11	M3 x 8 Screw	8	27	Steel Tube Cap	2
12	White 18GA Wire	1	28	Plastic Washer	3
13	Black 18GA Wire	1	29	Base Assembly	1
14	Switch	1	30	Base Cap	4
15	ST3 x 10 Screw	2	31	Base U-bracket	1
16	Switch Cover	1	32	Side Knob	2