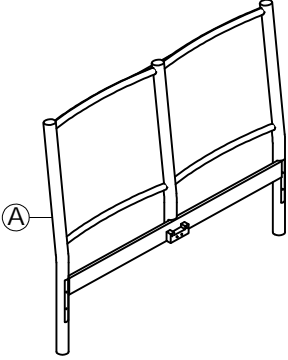
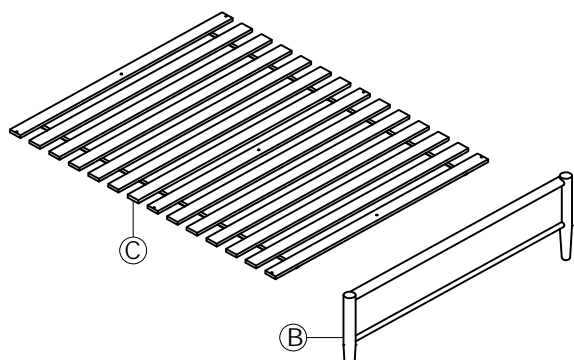
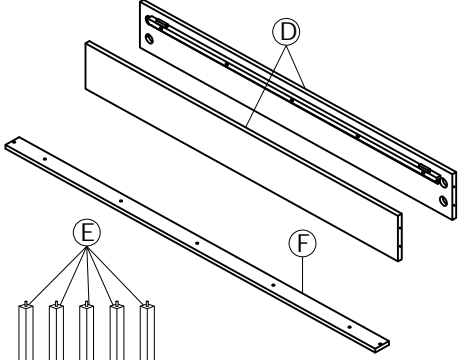


ROCKPORT WOOD QUEEN BED

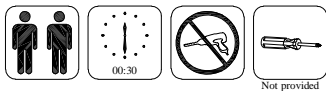
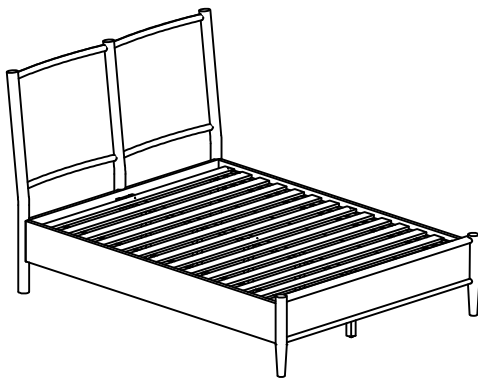
ASSEMBLY INSTRUCTIONS









PARTS PACKING CONFIGURATIONS

BOX #1: A. HEADBOARD 1 PC 	BOX #2: B. FOOTBOARD 1 PC C. SLAT ROLL 1 SET 	BOX #3: D. SIDE RAILS 2 PCS E. SLAT SUPPORT LEG 5 PCS F. CENTER SLAT SUPPORT 1 PC 
---	---	--

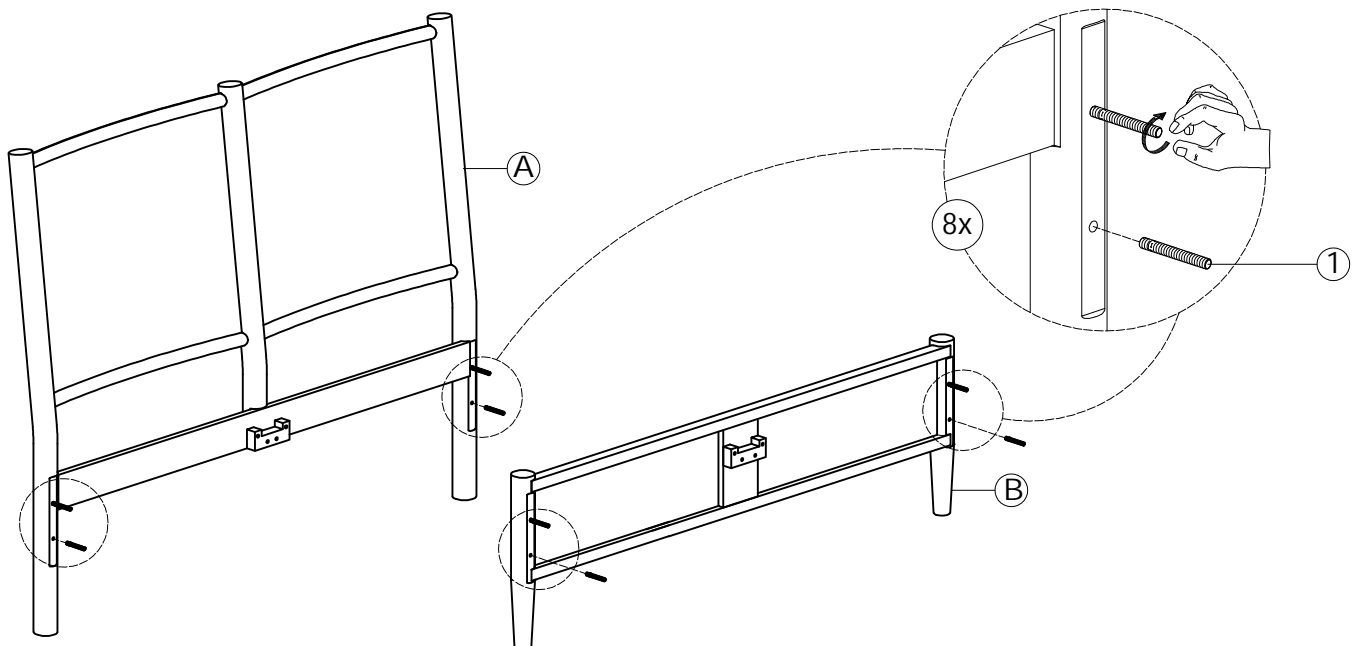
FULLY ASSEMBLED



HARDWARE KIT PACKED IN BOX #2

No.	Description	Image	Quantity
1	THREADED BOLT (8x90mm)		8 PCS
2	HALF MOON WASHER (7x14x27mm)		8 PCS
3	HEX NUT (M8)		8 PCS
4	ALLEN KEY (4mm)		1 PC
5	WOOD SCREW (4x30mm)		11 PCS
6	WRENCH (13mm)		1 PC

STEP 1:

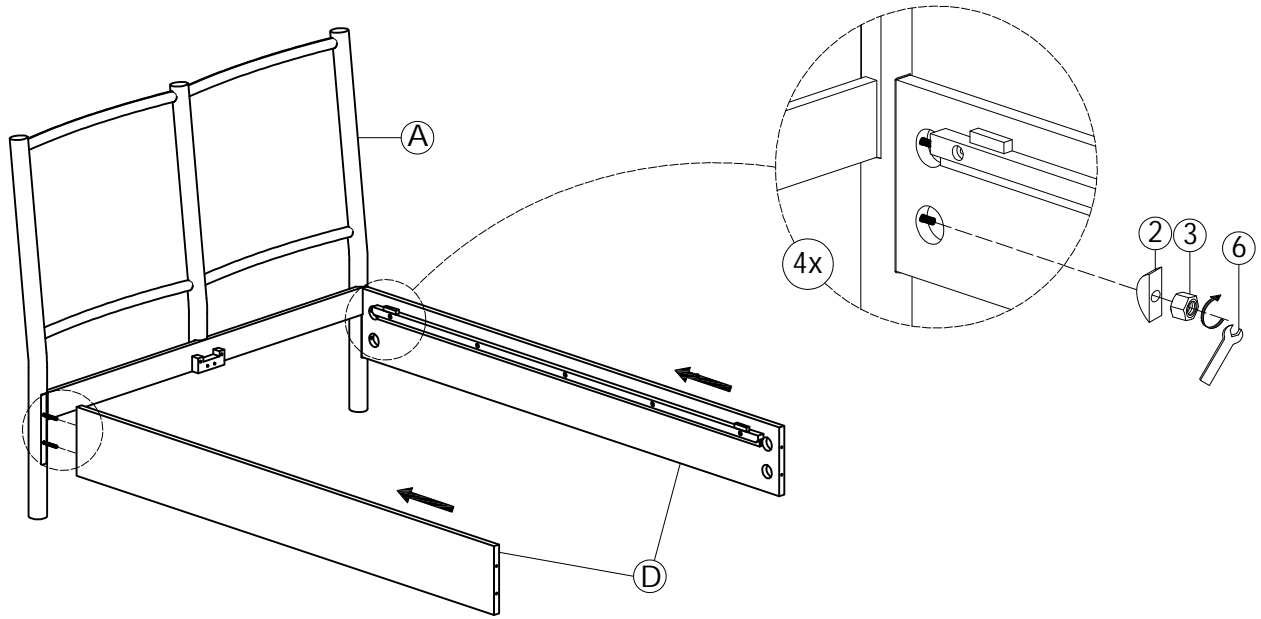


ROCKPORT WOOD QUEEN BED

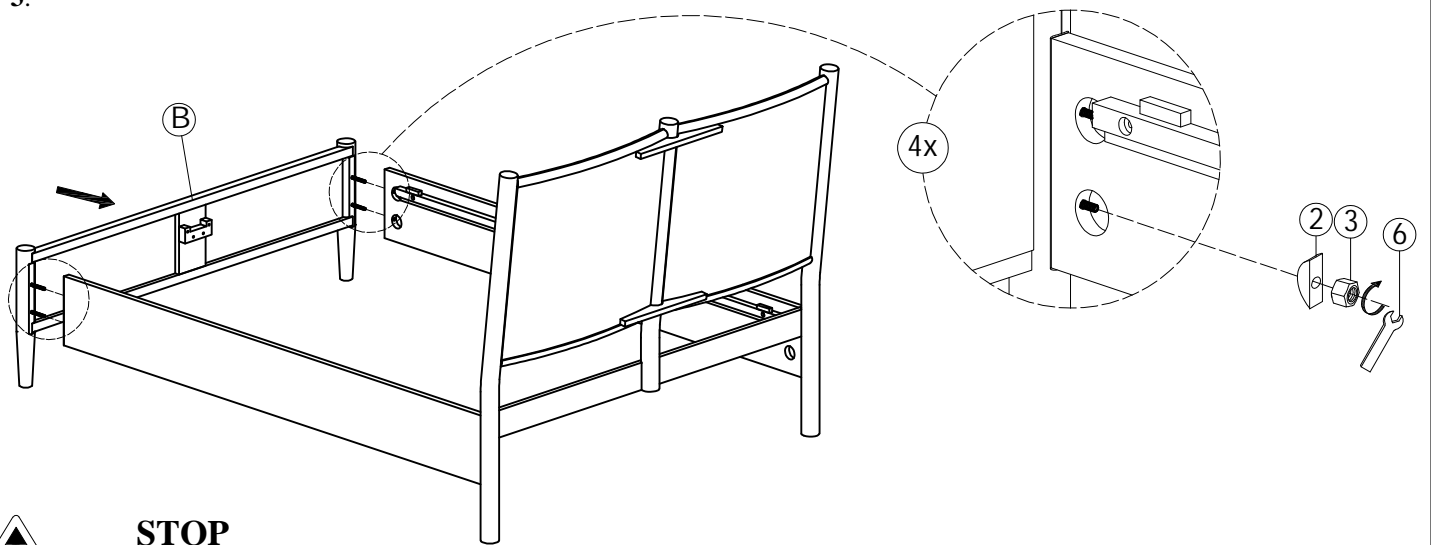
ASSEMBLY INSTRUCTIONS



STEP 2:



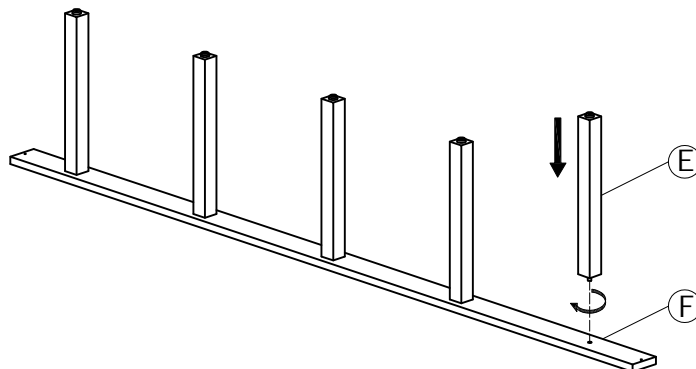
STEP 3:



STOP

- IF USING BED WITH AN ADJUSTABLE MATTRESS BASE, SKIP STEPS 4, 5, 6 & 7 AND REFERENCE APPENDIX A: ADJUSTABLE MATTRESS BASE ASSEMBLY SUPPLEMENT.
- IF USING BED FRAME WITH STANDARD BOX SPRING OR FOUNDATION, CONTINUE TO STEP 4

STEP 4:

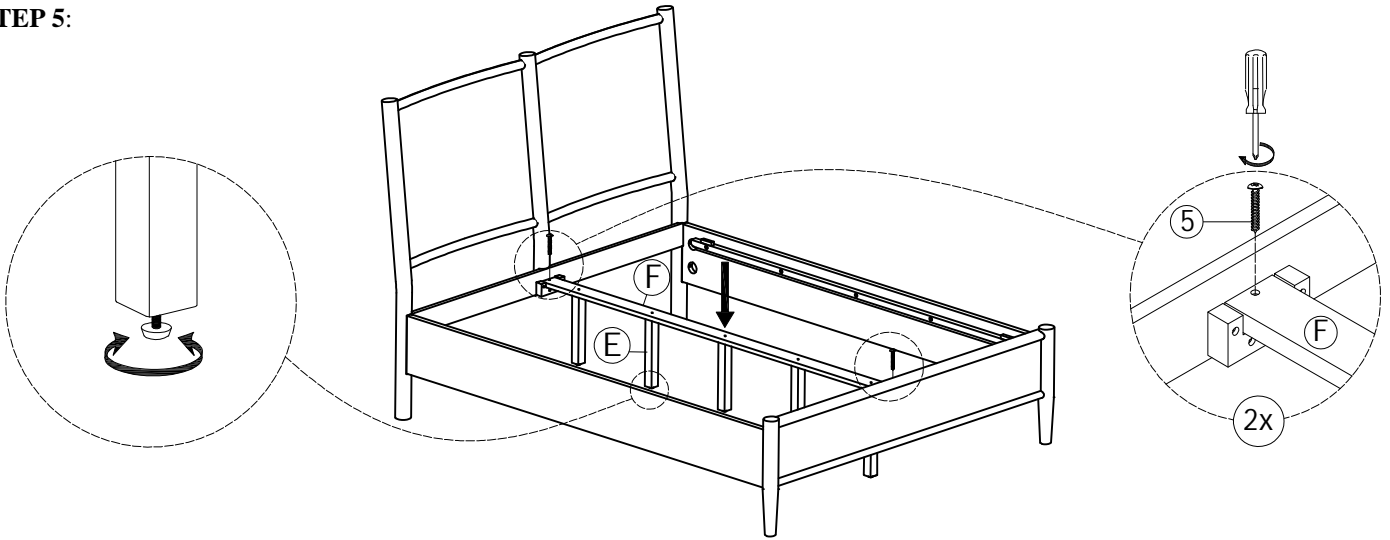


ROCKPORT WOOD QUEEN BED

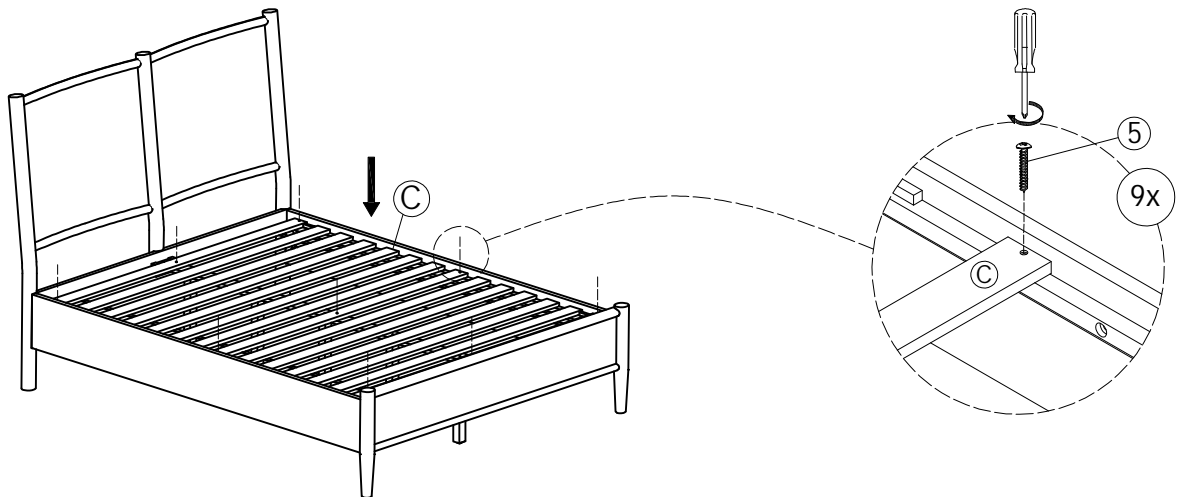
ASSEMBLY INSTRUCTIONS

MODUS
FURNITURE

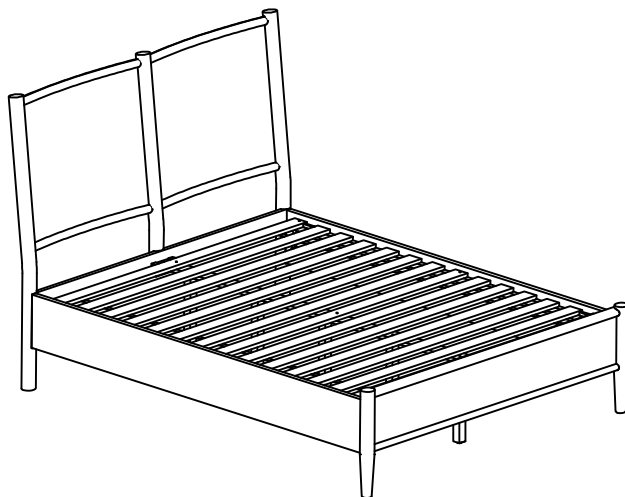
STEP 5:



STEP 6:



STEP 7:



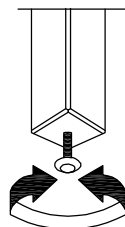
ASSEMBLY COMPLETE

INSTRUCTIONS FOR ADJUSTING LEVELERS:

Position the bed in your space and locate the leveler under each support leg.

Turn the leveler counter-clockwise to extend the leveler and clockwise to retract it.

Adjust each leveler until each support leg is applying equal, upward pressure on the support slat.



MAINTENANCE INSTRUCTIONS:

- Periodically check all fittings and tighten if necessary, as they can loosen over time.
- Always remove box spring and mattress before moving the bed.
- Lift the bed when moving it. Dragging the bed can damage the center support.
- Readjust levelers after moving the bed.

ROCKPORT WOOD QUEEN BED

ASSEMBLY INSTRUCTIONS

APPENDIX A: ADJUSTABLE MATTRESS BASE ASSEMBLY SUPPLEMENT



AN ADJUSTABLE MATTRESS BASE IS A FREESTANDING MATTRESS SUPPORT THAT SITS WITHIN THE PERIMETER OF THE BED FRAME.

IF USING THIS BED FRAME WITH A STANDARD BOX SPRING OR FOUNDATION THESE INSTRUCTIONS DO NOT APPLY.

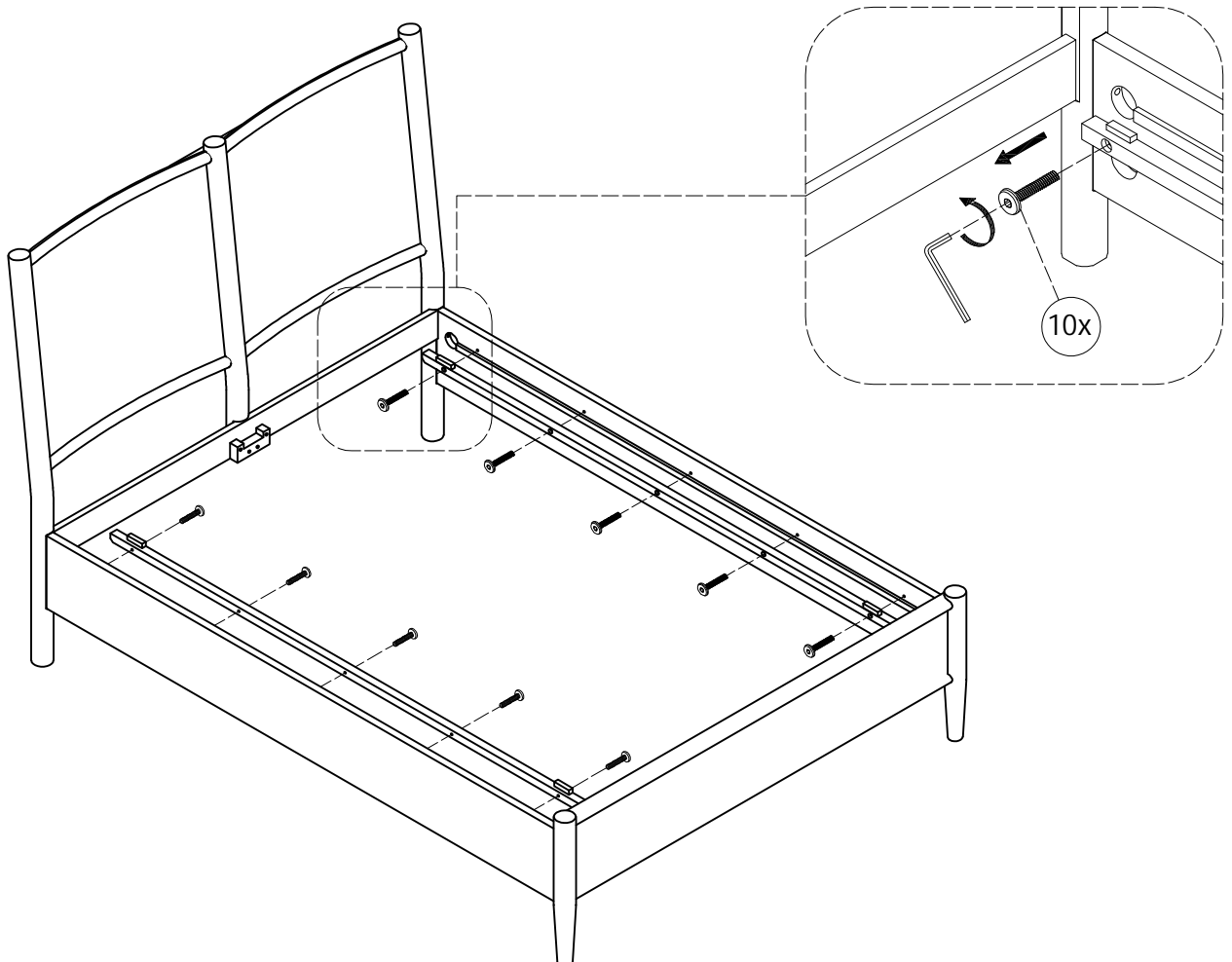
PRE-ASSEMBLED SIDE RAIL CLEATS OBSTRUCT ADJUSTABLE BASE INSTALLATION AND OPERATION. FOLLOW THESE INSTRUCTIONS TO REMOVE THEM.

THE FOLLOWING PARTS ARE NOT REQUIRED FOR ADJUSTABLE MATTRESS BASE INSTALLATION:

C. SLAT ROLL	:1 SET	5. WOOD SCREW (4x30mm)	:11 PCS
E. SLAT SUPPORT LEG	:5 PCS		
F. CENTER SLAT SUPPORT	:1 PC		

STEP 1:

USE ALLEN KEY (4) IN BOX #2 TO UNSCREW ALLEN BOLTS AND REMOVE PRE-ASSEMBLED SIDE RAIL CLEATS.



NOTE: YOU MAY WISH TO RETAIN UNUSED PARTS IF IN THE FUTURE YOU INTEND TO USE THE BED FRAME WITH A STANDARD BOX SPRING OR FOUNDATION.

ROCKPORT WOOD C. KING BED

ASSEMBLY INSTRUCTIONS

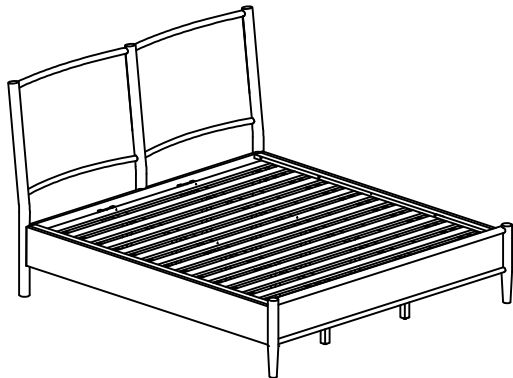


PARTS PACKING CONFIGURATIONS

BOX #1:	BOX #2:	BOX #3:
A. HEADBOARD 1 PC	B. FOOTBOARD 1 PC C. SLAT ROLL 1 SET	D. SIDE RAILS 2 PCS E. SLAT SUPPORT LEG 10 PCS F. CENTER SLAT SUPPORT 2 PCS G. MATTRESS SPACER 2 PCS

FULLY ASSEMBLED

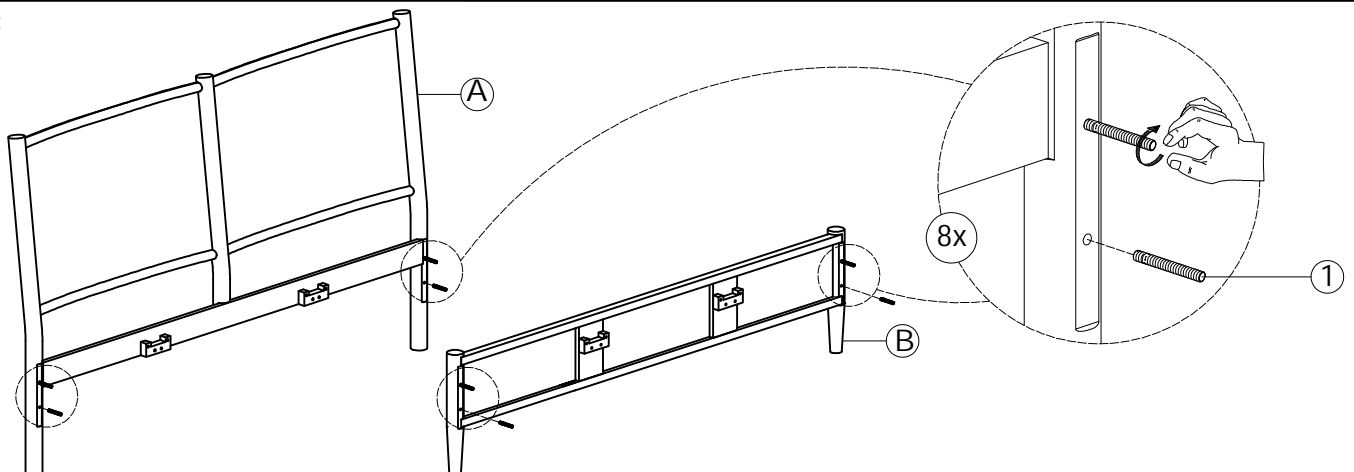
HARDWARE KIT PACKED IN BOX #2



No.	Description	Image	Quantity
1	THREADED BOLT (8x90mm)		8 PCS
2	HALF MOON WASHER (7x14x27mm)		8 PCS
3	HEX NUT (M8)		8 PCS
4	ALLEN KEY (4mm)		1 PC
5	WOOD SCREW (4x30mm)		16 PCS
6	WRENCH (13mm)		1 PC
7	ALLEN BOLT (6x60mm)		10 PCS
8	SPRING WASHER (M6)		10 PCS
9	FLAT WASHER (M6)		10 PCS



STEP 1:

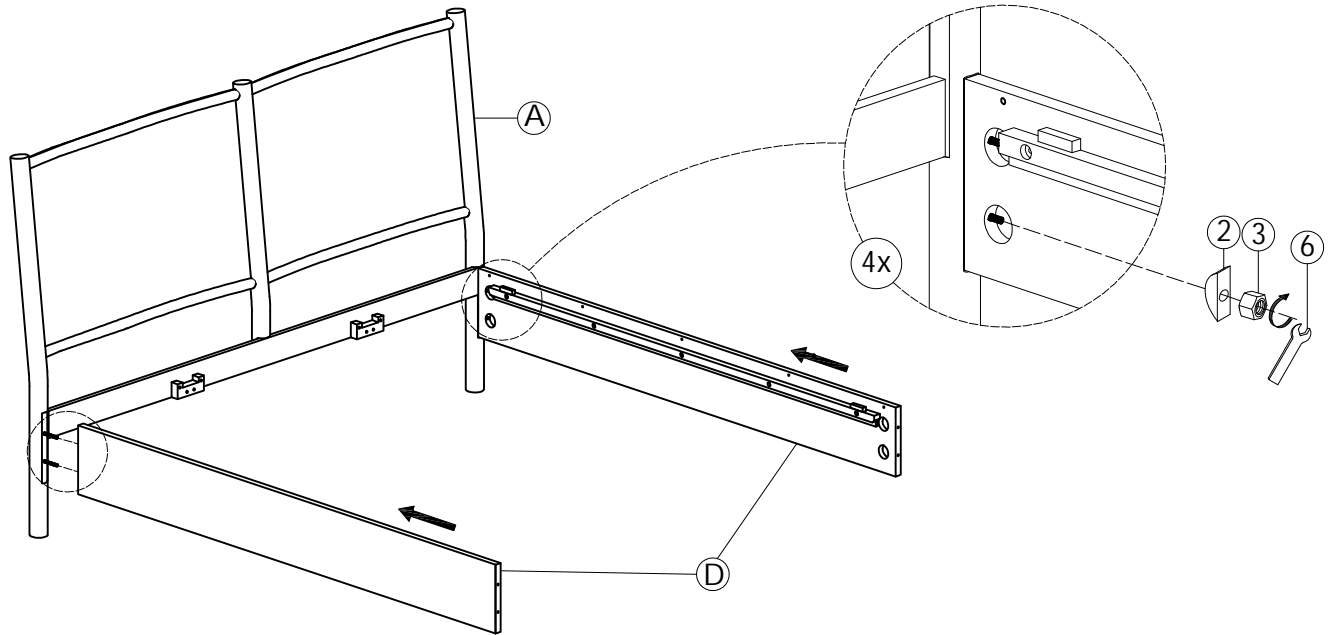


ROCKPORT WOOD C. KING BED

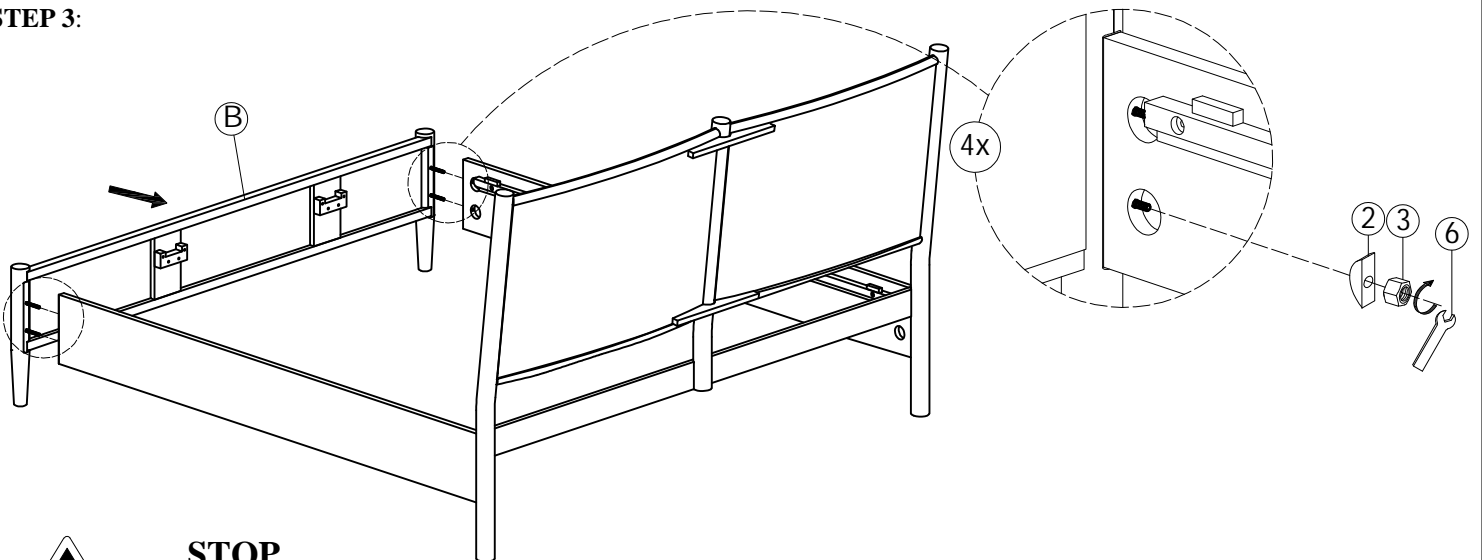
ASSEMBLY INSTRUCTIONS



STEP 2:



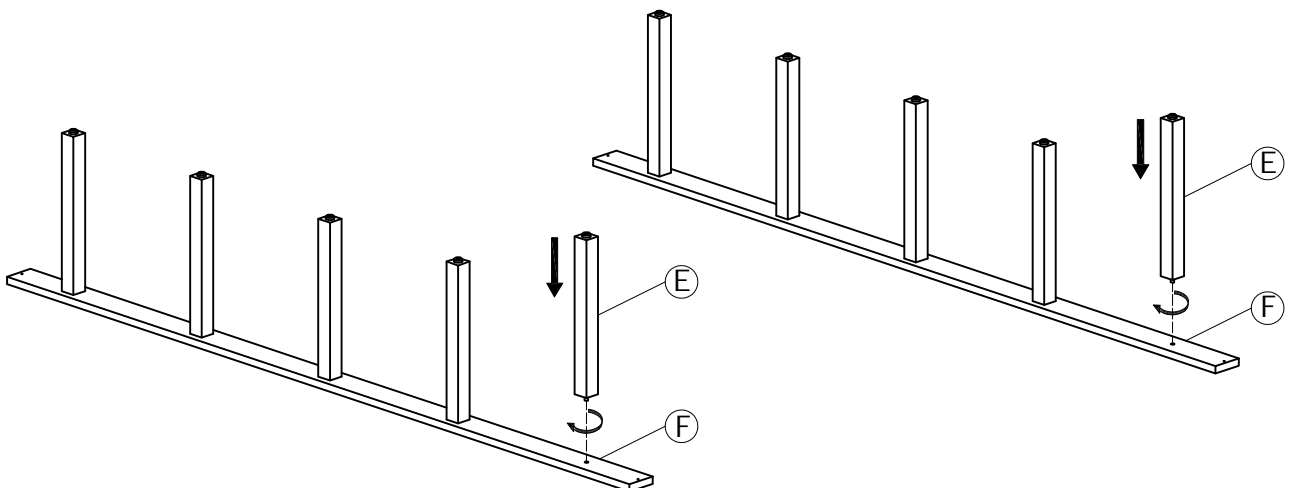
STEP 3:



STOP

- IF USING BED WITH AN ADJUSTABLE MATTRESS BASE, SKIP STEPS 4, 5, 6 & 7 AND REFERENCE APPENDIX A: ADJUSTABLE MATTRESS BASE ASSEMBLY SUPPLEMENT.
- IF USING BED FRAME WITH STANDARD BOX SPRING OR FOUNDATION, CONTINUE TO STEP 4

STEP 4:

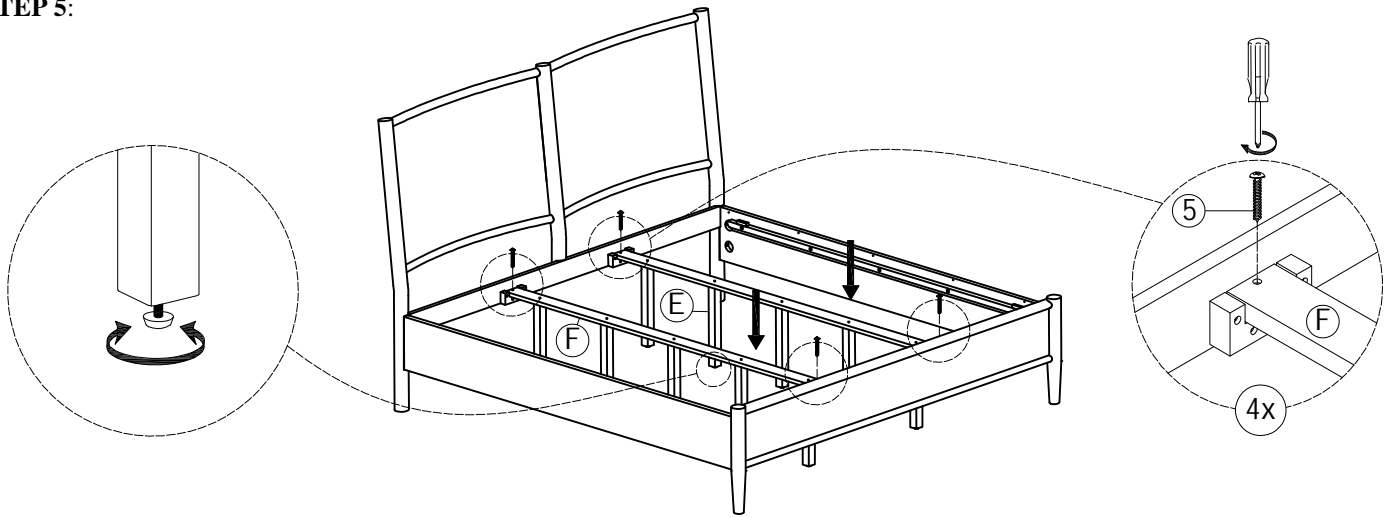


ROCKPORT WOOD C. KING BED

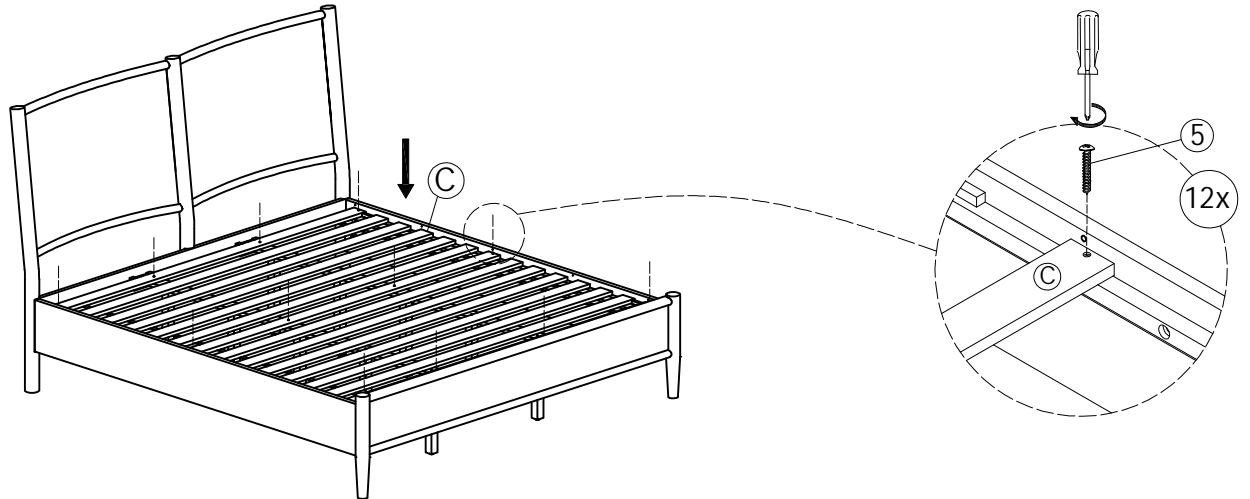
ASSEMBLY INSTRUCTIONS



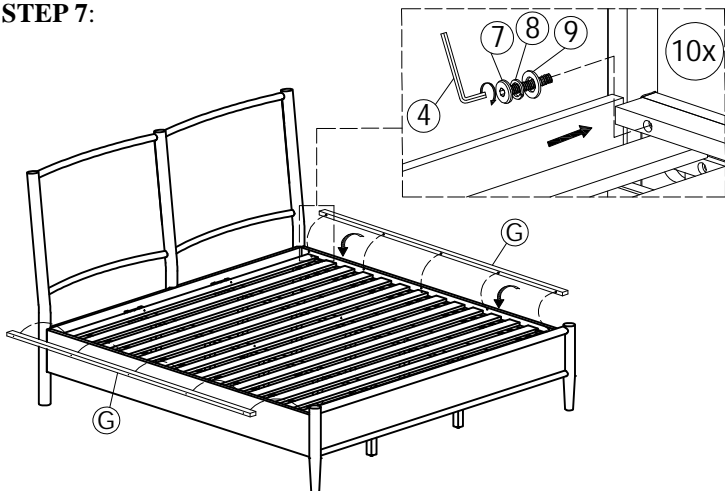
STEP 5:



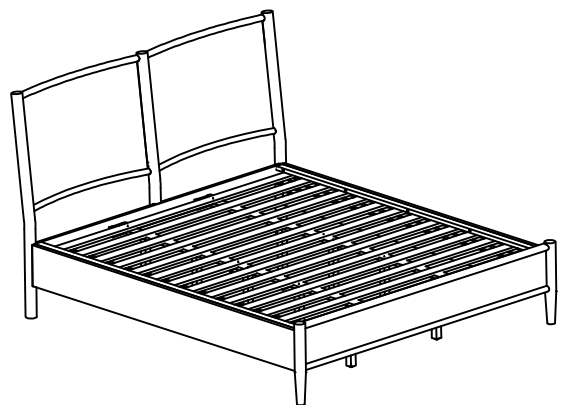
STEP 6:



STEP 7:



STEP 8:



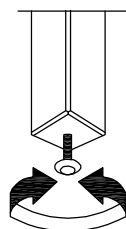
ASSEMBLY COMPLETE

INSTRUCTIONS FOR ADJUSTING LEVELERS:

Position the bed in your space and locate the leveler under each support leg.

Turn the leveler counter-clockwise to extend the leveler and clockwise to retract it.

Adjust each leveler until each support leg is applying equal, upward pressure on the support slat.



MAINTENANCE INSTRUCTIONS:

- Periodically check all fittings and tighten if necessary, as they can loosen over time.
- Always remove box spring and mattress before moving the bed.
- Lift the bed when moving it. Dragging the bed can damage the center support.
- Readjust levelers after moving the bed.

ROCKPORT WOOD C. KING BED

ASSEMBLY INSTRUCTIONS



APPENDIX A: ADJUSTABLE MATTRESS BASE ASSEMBLY SUPPLEMENT

AN ADJUSTABLE MATTRESS BASE IS A FREESTANDING MATTRESS SUPPORT THAT SITS WITHIN THE PERIMETER OF THE BED FRAME.

IF USING THIS BED FRAME WITH A STANDARD BOX SPRING OR FOUNDATION THESE INSTRUCTIONS DO NOT APPLY.

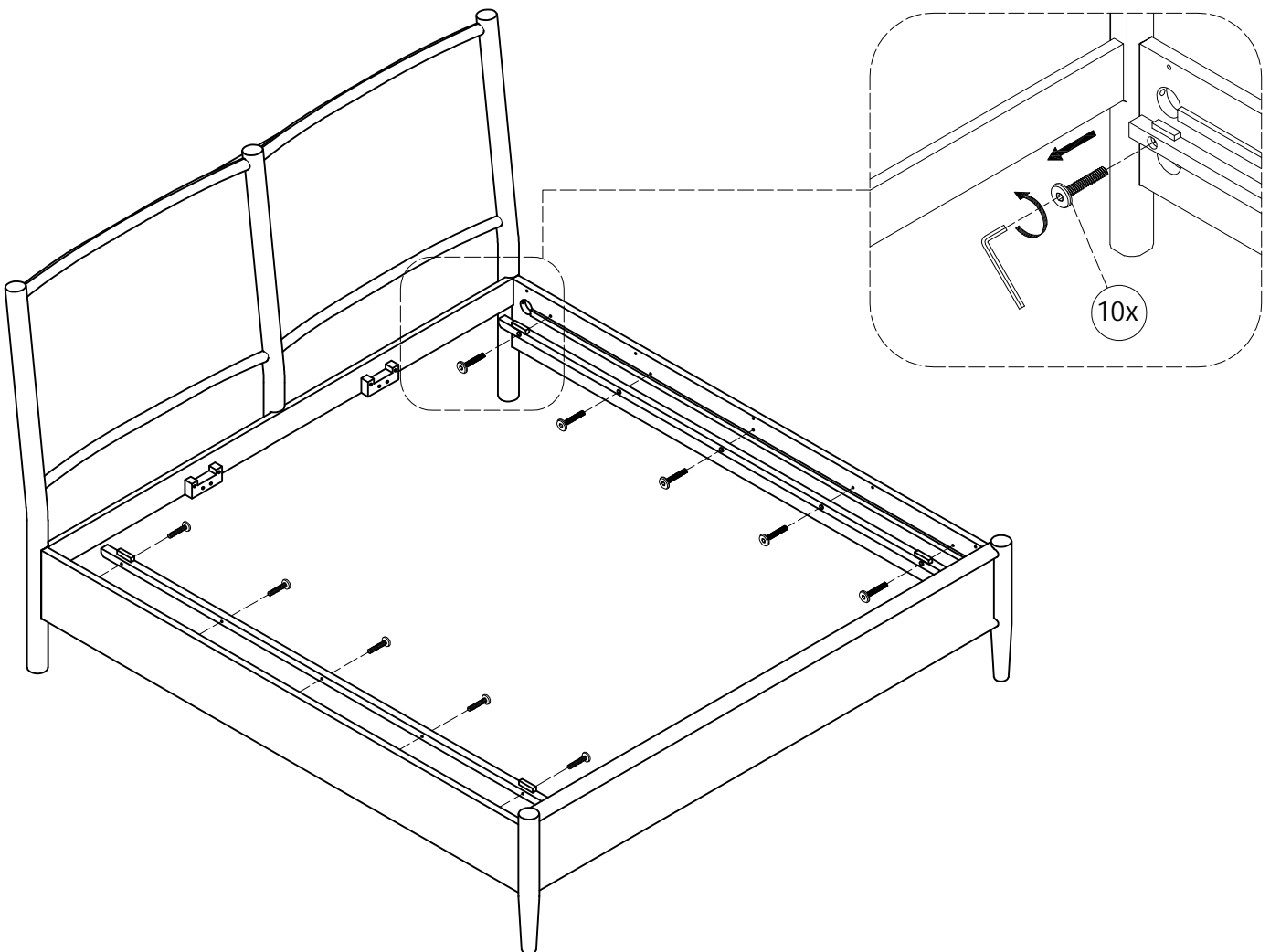
PRE-ASSEMBLED SIDE RAIL CLEATS OBSTRUCT ADJUSTABLE BASE INSTALLATION AND OPERATION. FOLLOW THESE INSTRUCTIONS TO REMOVE THEM.

THE FOLLOWING PARTS ARE NOT REQUIRED FOR ADJUSTABLE MATTRESS BASE INSTALLATION:

C. SLAT ROLL	:1 SET	5. WOOD SCREW (4x30mm)	:16 PCS
E. SLAT SUPPORT LEG	:10 PCS	7. ALLEN BOLT (6x60mm)	:10 PCS
F. CENTER SLAT SUPPORT	:2 PCS	8. SPRING WASHER (M6)	:10 PCS
G. MATTRESS SPACER	:2 PCS	9. FLAT WASHER (M6)	:10 PCS

STEP 1:

USE ALLEN KEY (4) IN BOX #2 TO UNSCREW ALLEN BOLTS AND REMOVE PRE-ASSEMBLED SIDE RAIL CLEATS.



NOTE: YOU MAY WISH TO RETAIN UNUSED PARTS IF IN THE FUTURE YOU INTEND TO USE THE BED FRAME WITH A STANDARD BOX SPRING OR FOUNDATION.

ROCKPORT WOOD KING BED

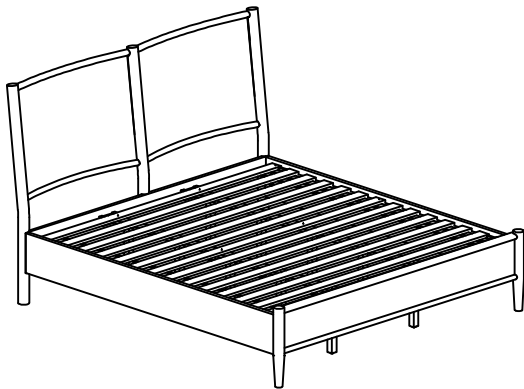
ASSEMBLY INSTRUCTIONS



PARTS PACKING CONFIGURATIONS

BOX #1:	BOX #2:	BOX #3:
A. HEADBOARD 1 PC	B. FOOTBOARD C. SLAT ROLL 1 PC 1 SET	D. SIDE RAILS E. SLAT SUPPORT LEG F. CENTER SLAT SUPPORT 2 PCS 10 PCS 2 PCS

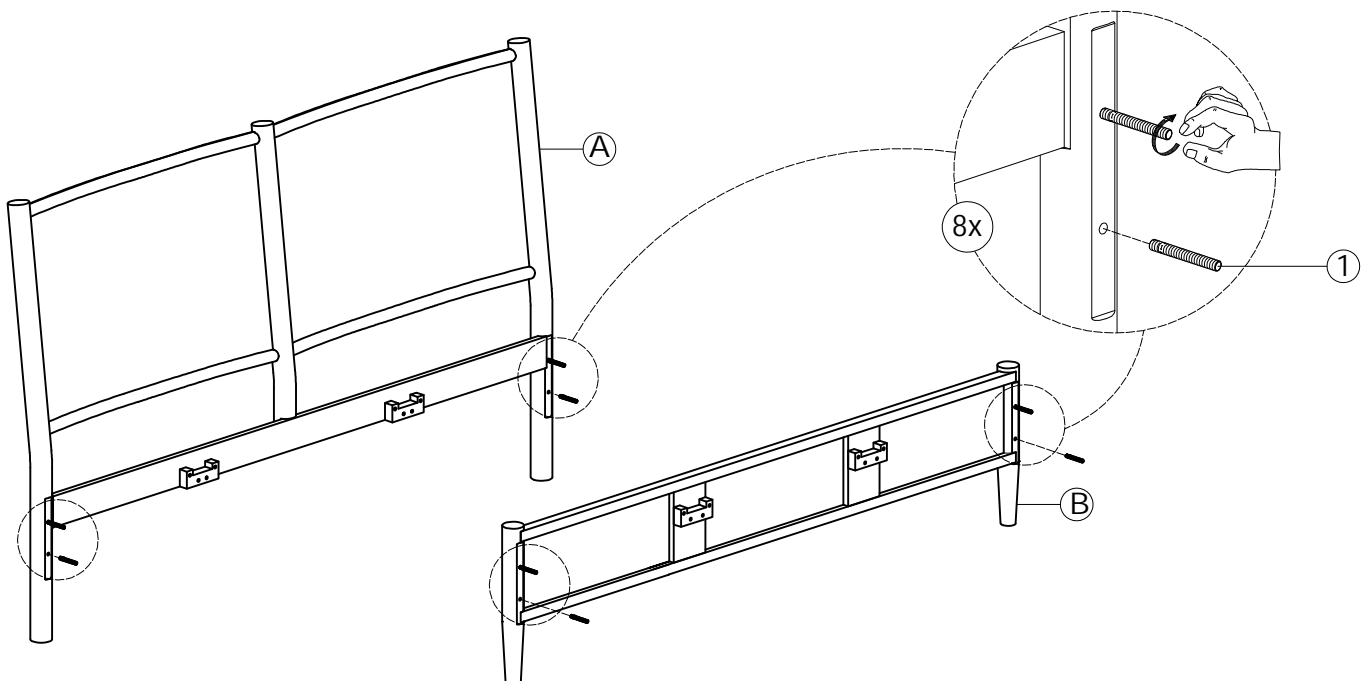
FULLY ASSEMBLED



HARDWARE KIT PACKED IN BOX #2

No.	Description	Image	Quantity
1	THREADED BOLT (8x90mm)		8 PCS
2	HALF MOON WASHER (7x14x27mm)		8 PCS
3	HEX NUT (M8)		8 PCS
4	ALLEN KEY (4mm)		1 PC
5	WOOD SCREW (4x30mm)		16 PCS
6	WRENCH (13mm)		1 PC

STEP 1:

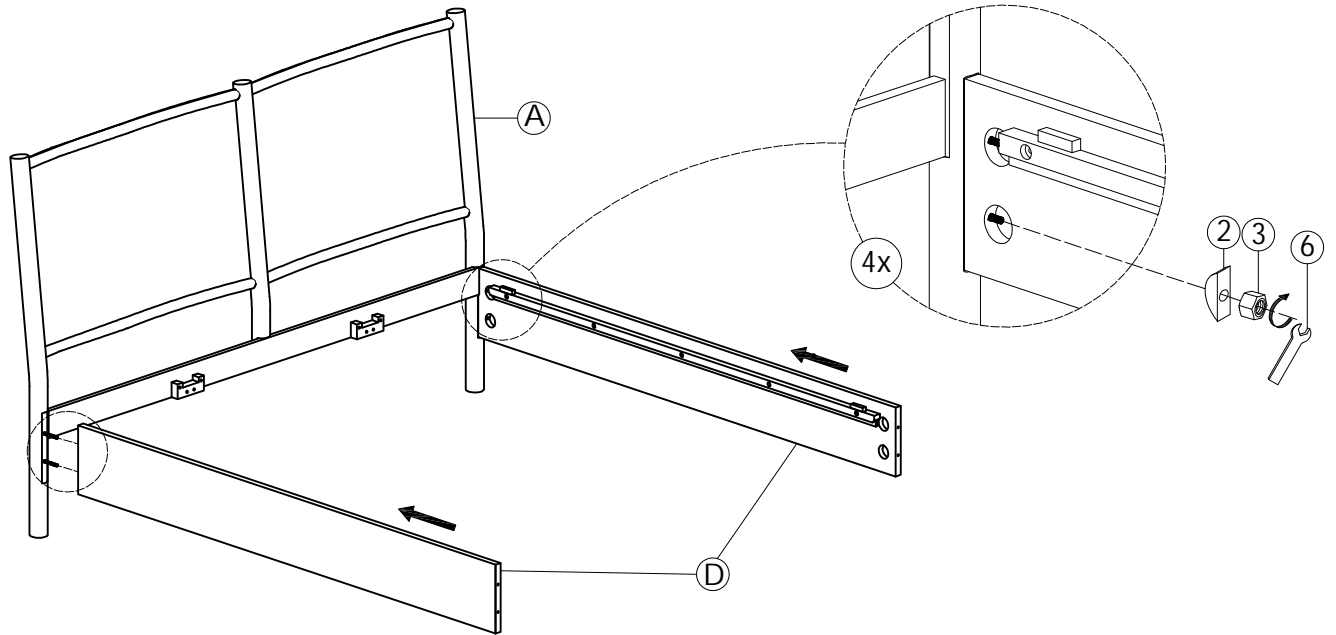


ROCKPORT WOOD KING BED

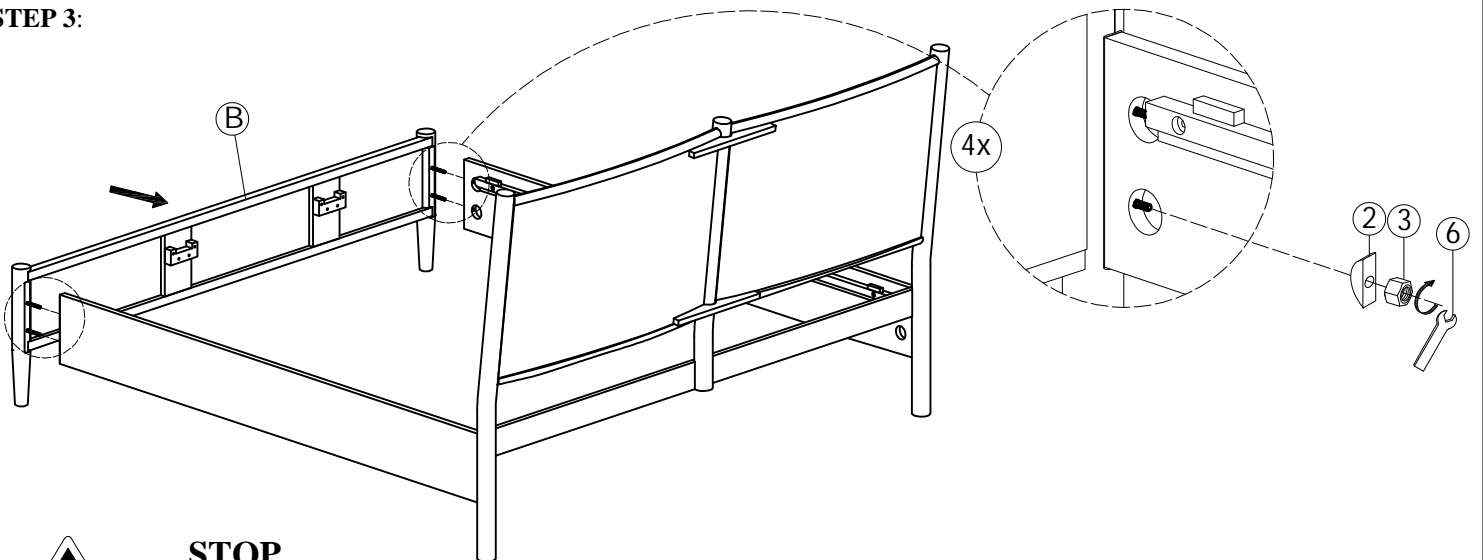
ASSEMBLY INSTRUCTIONS



STEP 2:



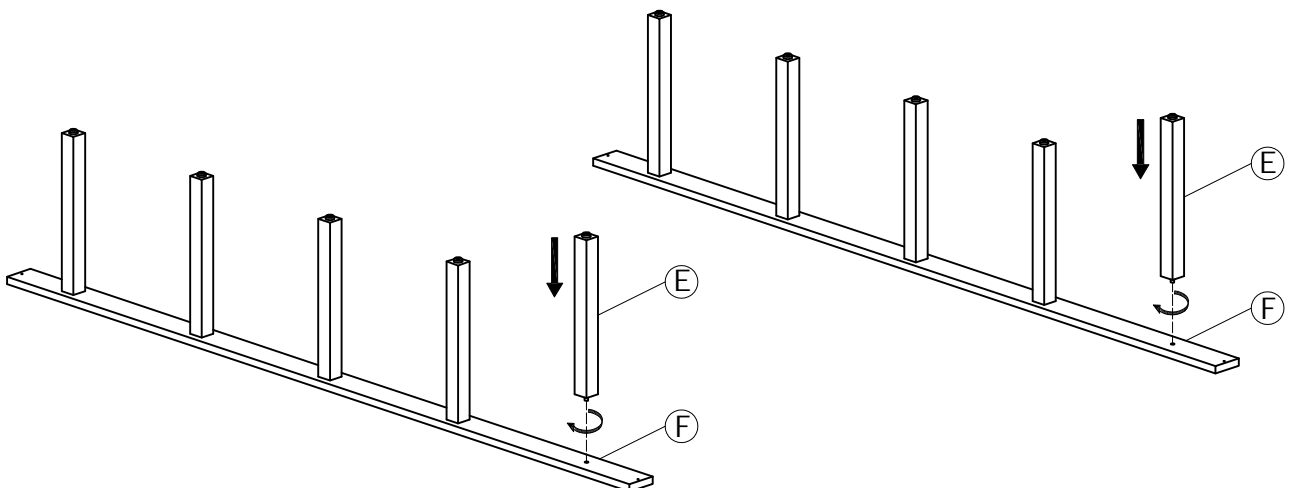
STEP 3:



STOP

- IF USING BED WITH AN ADJUSTABLE MATTRESS BASE, SKIP STEPS 4, 5, 6 & 7 AND REFERENCE APPENDIX A: ADJUSTABLE MATTRESS BASE ASSEMBLY SUPPLEMENT.
- IF USING BED FRAME WITH STANDARD BOX SPRING OR FOUNDATION, CONTINUE TO STEP 4

STEP 4:

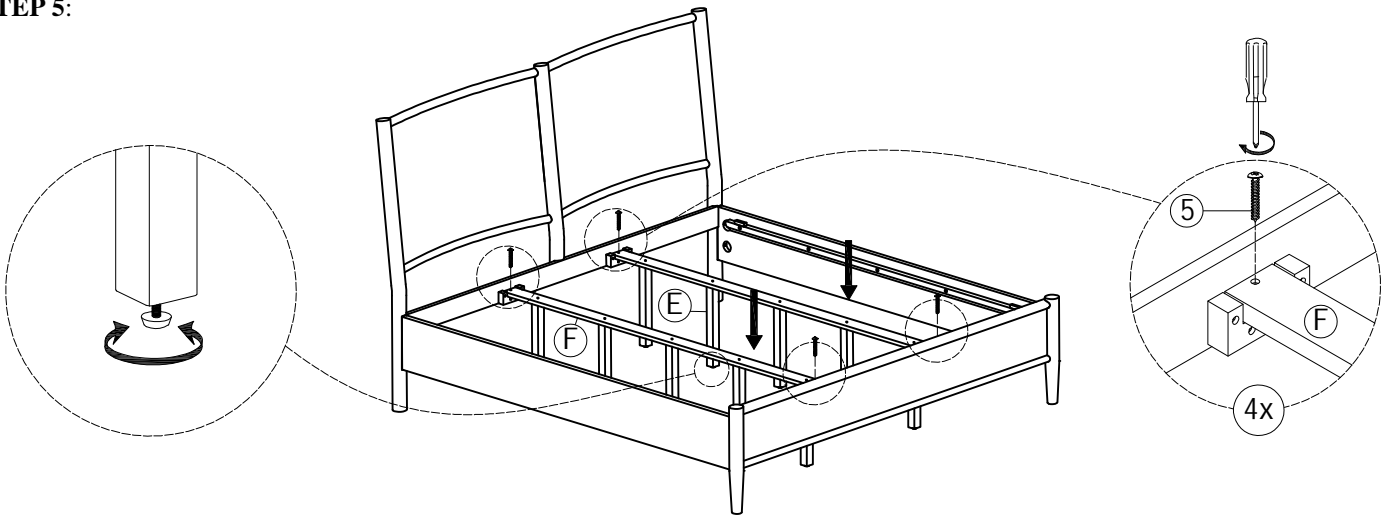


ROCKPORT WOOD KING BED

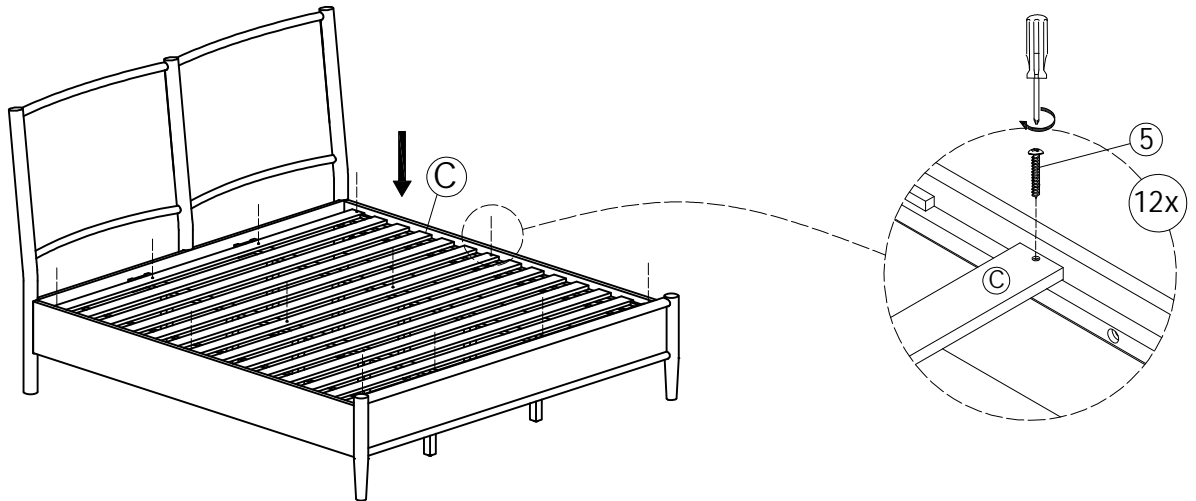
ASSEMBLY INSTRUCTIONS



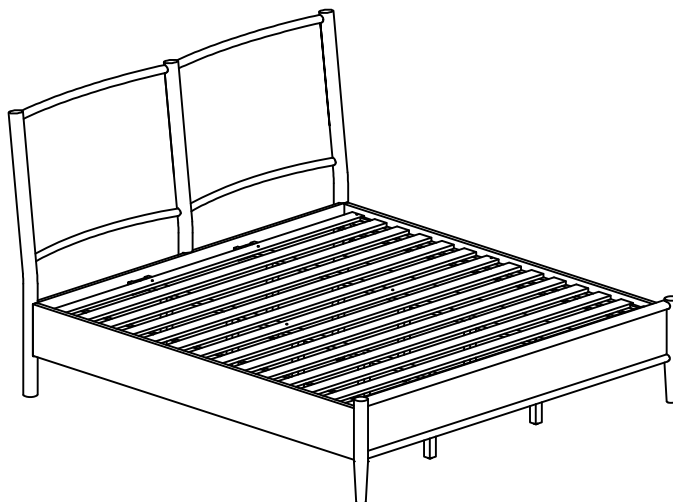
STEP 5:



STEP 6:



STEP 7:



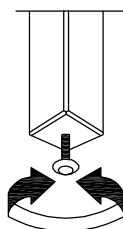
ASSEMBLY COMPLETE

INSTRUCTIONS FOR ADJUSTING LEVELERS:

Position the bed in your space and locate the leveler under each support leg.

Turn the leveler counter-clockwise to extend the leveler and clockwise to retract it.

Adjust each leveler until each support leg is applying equal, upward pressure on the support slat.



MAINTENANCE INSTRUCTIONS:

- Periodically check all fittings and tighten if necessary, as they can loosen over time.
- Always remove box spring and mattress before moving the bed.
- Lift the bed when moving it. Dragging the bed can damage the center support.
- Readjust levelers after moving the bed.

ROCKPORT WOOD KING BED

ASSEMBLY INSTRUCTIONS

APPENDIX A: ADJUSTABLE MATTRESS BASE ASSEMBLY SUPPLEMENT



AN ADJUSTABLE MATTRESS BASE IS A FREESTANDING MATTRESS SUPPORT THAT SITS WITHIN THE PERIMETER OF THE BED FRAME.

IF USING THIS BED FRAME WITH A STANDARD BOX SPRING OR FOUNDATION THESE INSTRUCTIONS DO NOT APPLY.

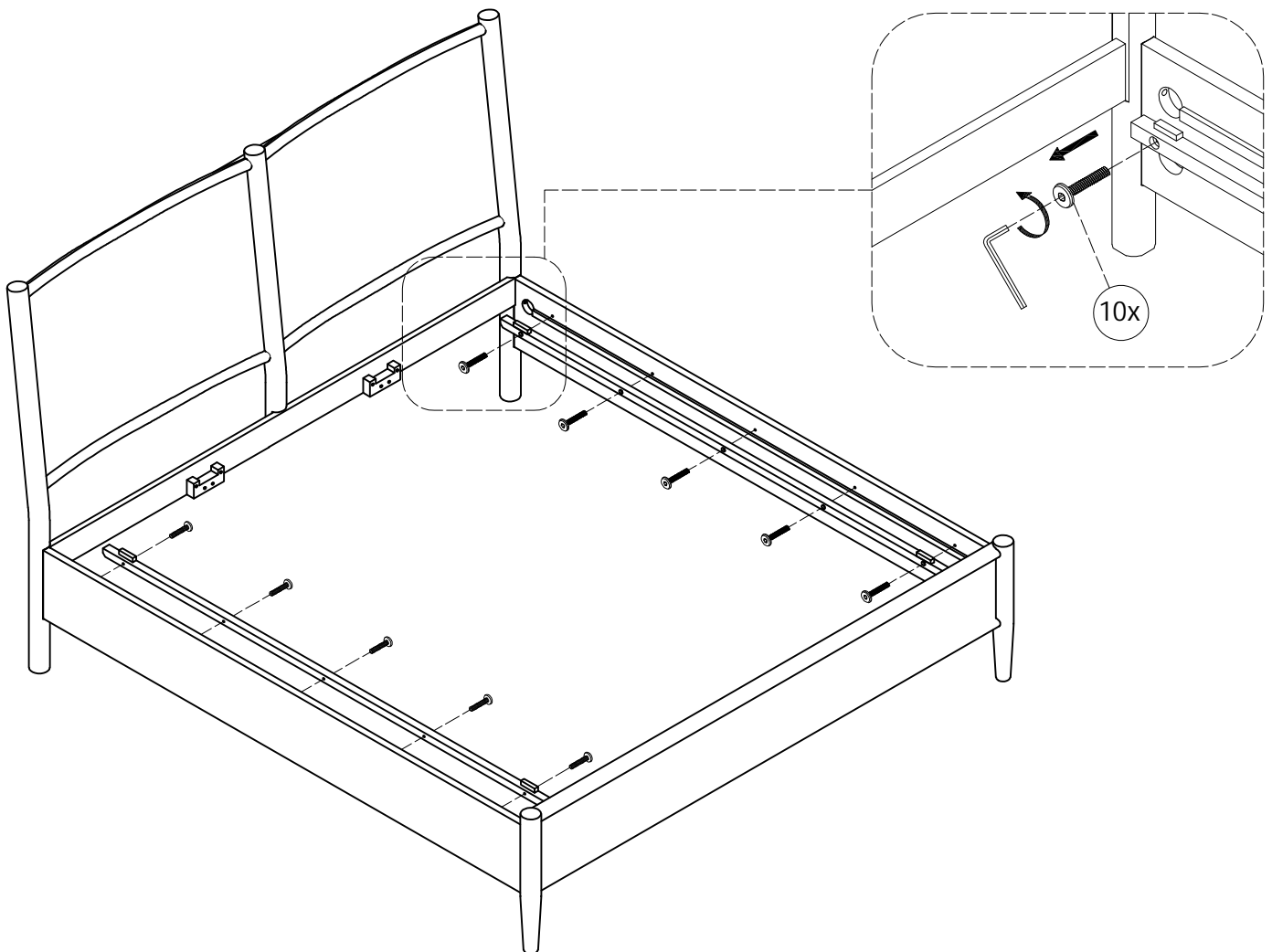
PRE-ASSEMBLED SIDE RAIL CLEATS OBSTRUCT ADJUSTABLE BASE INSTALLATION AND OPERATION. FOLLOW THESE INSTRUCTIONS TO REMOVE THEM.

THE FOLLOWING PARTS ARE NOT REQUIRED FOR ADJUSTABLE MATTRESS BASE INSTALLATION:

C. SLAT ROLL	:1 SET	5. WOOD SCREW (4x30mm)	:16 PCS
E. SLAT SUPPORT LEG	:10 PCS		
F. CENTER SLAT SUPPORT	:2 PCS		

STEP 1:

USE ALLEN KEY (4) IN BOX #2 TO UNSCREW ALLEN BOLTS AND REMOVE PRE-ASSEMBLED SIDE RAIL CLEATS.



NOTE: YOU MAY WISH TO RETAIN UNUSED PARTS IF IN THE FUTURE YOU INTEND TO USE THE BED FRAME WITH A STANDARD BOX SPRING OR FOUNDATION.