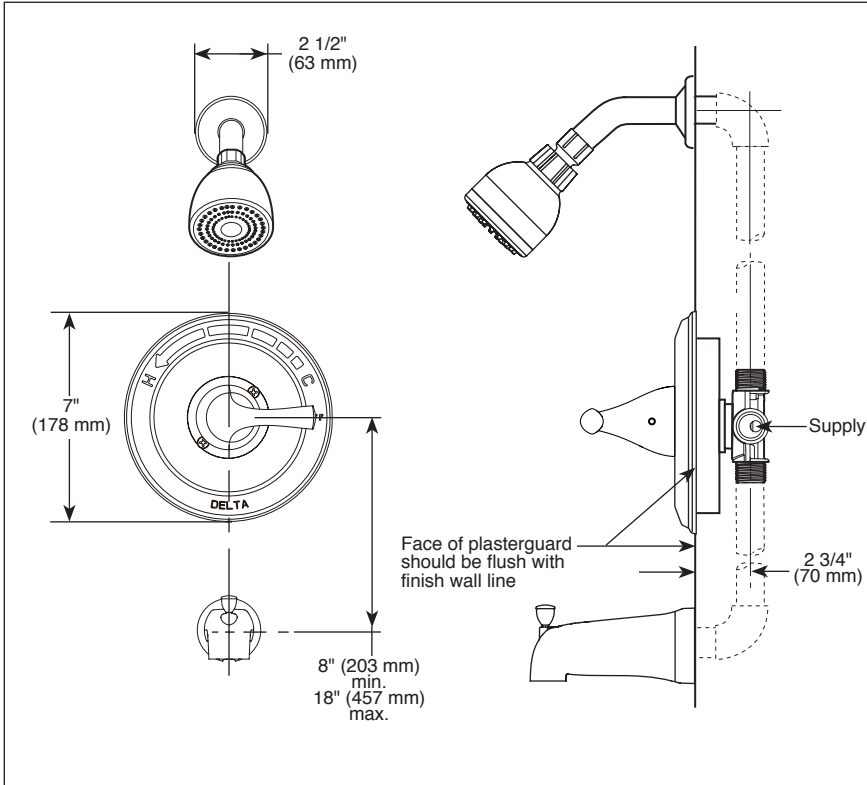


Submitted Model No.: _____

Specific Features: _____



see what Delta can do™

TUB AND SHOWER FAUCET

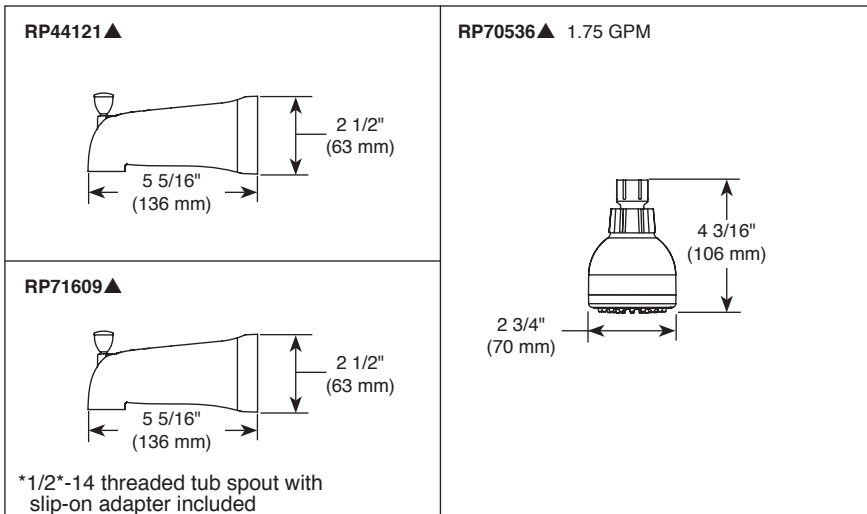
- Foundation® Collection
- Shower Only (B112915C Series)
- Tub/Shower (B114915C Series)

STANDARD SPECIFICATIONS:

- Slip-on tub spout, model B114915C.
- Tub/Shower require 1 1/2" wall cavity.
- Valve has back-to-back installation capability.
- Forged brass body.
- Cartridge utilizes integral check valves to prevent the cross flow of water within the valve. Valve reduces the flow of water to 0.5 GPM within 5 seconds of the complete loss of pressure in the hot or cold water supply line. Outlet water temperature is maintained within $\pm 3^\circ$ F variation with changes in either hot or cold supply of up to 50 percent of the normal supply pressure. Temperature is controlled by handle with cold water always coming on first.
- Field adjustable means to limit handle rotation into hot water zone. Per ASSE 1016.
- Temperature control to rotate a maximum of 120 from full cold to the maximum temperature
- Shower head max flow rate is 1.75 gpm @ 80 psi, 6.6 L/min @ 550 kPa
- All parts replaceable from the front of the valve
- Pressure Balance

WARRANTY

- Parts and Finish - Lifetime limited warranty; or for commercial purchasers, 10 years for multi-family residential (apartments and condominiums) and 5 years for all other commercial uses, in each case from the date of purchase.
- Electronic Parts and Batteries (if applicable) - 5 years from the date of purchase; or for commercial purchasers, 1 year from the date of purchase. No warranty is provided on batteries.



▲ Designate proper finish suffix

Delta reserves the right (1) to make changes in specifications and materials, and (2) to change or discontinue models, both without notice or obligation. Dimensions are for reference only. See current full-line price book or www.deltafaucet.com for finish options and product availability.

DSP-B-B112915C Rev. A



COMPLIES WITH:

- ASME A112.18.1/CSA B125.1
- ASSE 1016
- Indicates compliance to ICC/ANSI A117.1 - Applies to valve control only
- EPA WaterSense®

Delta Faucet Company

55 E. 111th Street, Indianapolis, IN 46280
 350 South Edgeware Road, St. Thomas, ON N5P 4L1
 © 2023 Delta Faucet Company