

OVERVIEW

Long narrow PIR detection for control of hallway lighting is provided by the **HWR13** Series sensor. Recommended to be applied in pairs (requires parallel wiring) and mounted at either end of a long corridor, the **HWR13** detects occupants entering the hallway up to 130 ft (39.62 m) away (when mounted at 10 ft (3.05 m)). Initial detection at these distances is for entrances at right angles to the beam pattern. The **HWR13** may also be used with other line voltage sensors to adequately view a space. For example, a **CMR 10** ceiling sensor may be in a vestibule at one end while the **HWR13** is at the other. The **HWR13** is best mounted at 7 ft (2.13 m).

FEATURES

- 100% Digital PIR detection, excellent RF immunity
- Coverage up to 130 ft (39.62 m) when mounted at 10 ft (3.05 m)
- Push button programmable
- Adjustable time delays
- Convenient test mode
- No field calibration or sensitivity adjustments required
- 100 hr lamp burn-in timer

SPECIFICATIONS

Size: 4.96" H x 3.10" W x 1.70" D (12.60 cm x 7.87 cm x 4.32 cm)

Weight: 7 oz.

Mounting: Single Gang Switch Box

Color: White

Maximum Load: 800 W @ 120 VAC, 1200 W @ 277 VAC, 1500 W @ 347 VAC

Minimum Load: None

Motor Load: 1/4 HP

Frequency: 50/60 Hz

ROHS compliant, Title 24 Component

AcuityControls[™]

Sensor Switch[™]

HWR13

Hallway Sensor



Warranty

Three-year limited warranty. Complete warranty terms located at:

www.acuitybrands.com/CustomerResources/Terms_and_conditions.aspx

Note: Actual performance may differ as a result of end-user environment and application.

Specifications subject to change without notice.

ORDERING INFORMATION

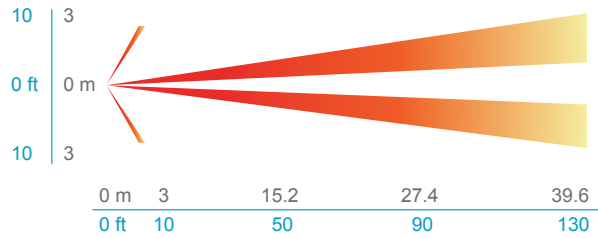
HWR13		Example: HWR13 347 IV	
Series	Switch	Voltage	Color
HWR13 Hallway Sensor	[blank] w/ Switch SN No Switch	[blank] 120/277 VAC 347 347 VAC	WH White IV Ivory

COVERAGE PATTERN

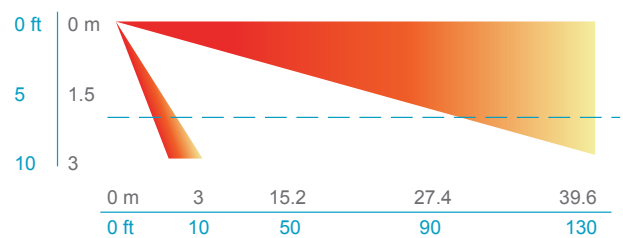
HALLWAY VIEW LENS

- Provides large motion (e.g. **walking**) detection up to 70 ft (21.34 m) when mounted at 7 ft (2.13m).
- Up to 130 ft (39.62 m) linear coverage when mounted at 10 ft (3.05 m).
- Recommended for use in pairs with one at either end of hallway.

TOP VIEW



SIDE VIEW



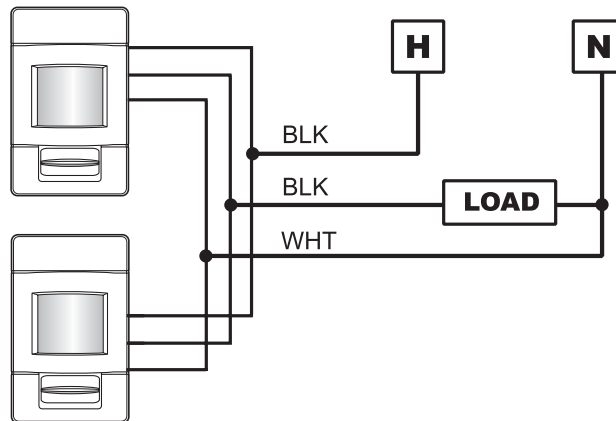
WIRING (DO NOT WIRE HOT)

STANDARD WIRING

- BLACK** - Load
- BLACK** - Line
- WHITE** - Neutral

347 VAC OPTION (347)

Black wires are replaced w/ Red wires



PROGRAMMING

- Pull up the top of the HWR13 to expose the programming button*.
- Use the enclosed tool to program.
- Refer to Instruction Card IC16.001 for default settings and directions on programming the sensor via the button.

