

# Installation Instructions

## 3-Way/2-Way Transfer Valve

Record your model number:

Noter le numéro de modèle:

Anote su número de modelo: \_\_\_\_\_

Français, page 8

Español, página 15

# KALLISTA®

# Thank You for Choosing KALLISTA

---

Need help? Contact our Customer Care Center.

- 1-888-4-KALLISTA (1-888-452-5547)
- **Service parts:** visit the product page at [kallista.com](http://kallista.com)
- **Care and cleaning:** [kallista.com/resources/product-care](http://kallista.com/resources/product-care)
- **Patents:** [kohlercompany.com/patents](http://kohlercompany.com/patents)

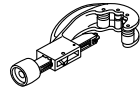
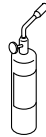
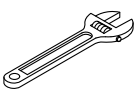
## Warranty

---

This product is covered under the **KALLISTA® Five-Year Limited Warranty**, found at [kallista.com/resources/warranty](http://kallista.com/resources/warranty). For a hardcopy of warranty terms, contact the Customer Service Department.

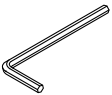
## Tools and Materials

---



Solder

Tube Cutter



1/4"



Sealant Tape

### Plus:

- 1/2 NPT Plug
- 1/2" Copper Tubing for Outlets
- 3/4" Copper Tubing for Inlets

# Before You Begin

---



**WARNING: Risk of scalding.** High water temperature can cause severe burns. Set the valve water temperature at or below 120°F (49°C). Refer to the temperature adjustment instructions for the valve.



**CAUTION: Risk of product damage. Do not apply direct heat to the valve body when soldering.** Excessive heat will damage internal plastic or rubber components and the plaster guard.

**IMPORTANT!** This valve is not intended to be used as a shut-off valve. If fewer than three accessories will be installed, complete the 2-way conversion before plugging any outlets.

Follow all local plumbing and building codes.

Read these instructions and plan the installation before beginning. Component location, spacing, and situational requirements can vary.

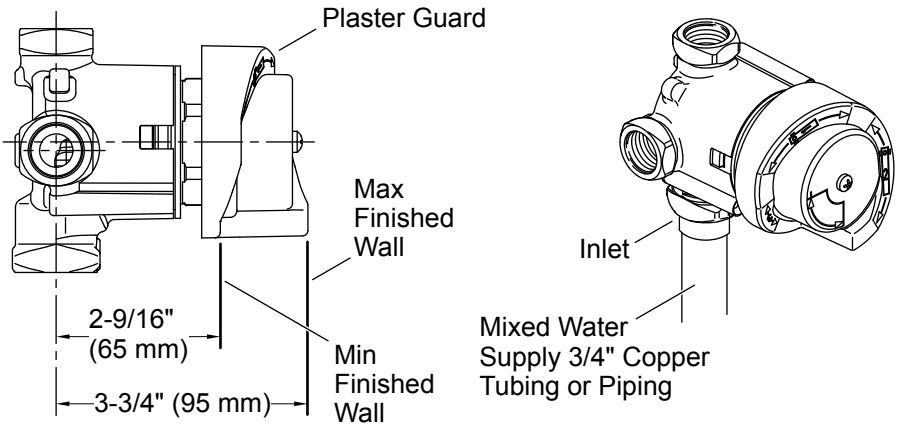
A mixed water supply is required for this valve.

Do not discard the plaster guard from the valve until instructed to do so.

Turn OFF the water supply.

# 1. Prepare the Site

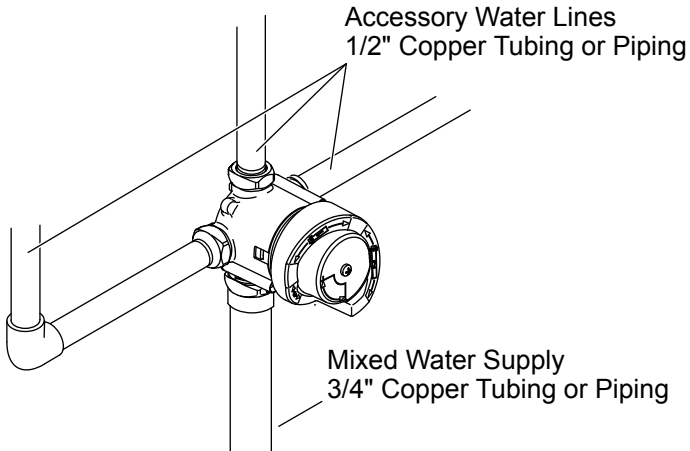
---



- Provide a 2-7/8" (73 mm) to 3-1/8" (79 mm) diameter hole in the rough wall material for the plaster guard.
- Route a 3/4" mixed water supply line to the transfer valve location.
- Apply sealant tape to the inlet port threads.
- Connect the water supply to the transfer valve inlet.
- 2-way:** If two accessories will be attached to the valve, proceed to the "Installation for 2-Way" section.
- 3-way:** If three accessories will be attached to the valve, proceed to the "Installation for 3-Way" section.

## 2. Installation for 3-Way

---

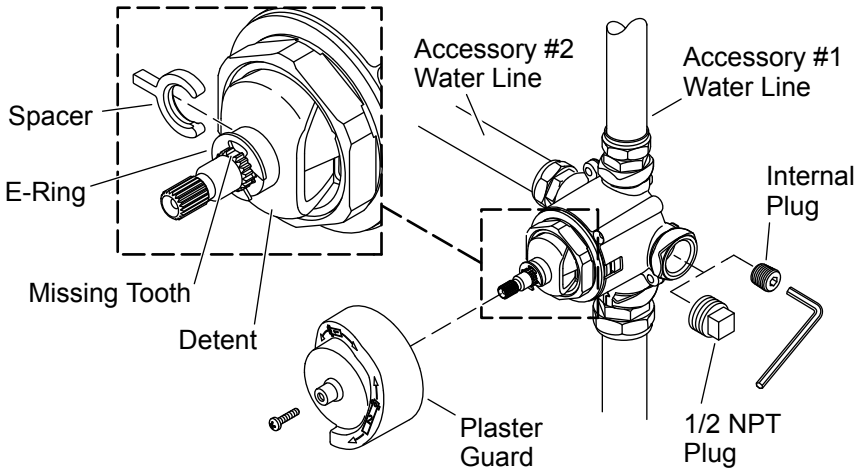


**IMPORTANT!** Do not remove the internal plug from the valve body. The plug connects the left and right ports, allowing either to be used for an additional accessory.

- Install 1/2" copper tubing or piping for all accessories. Securely fasten the piping and outlet elbows to the framing.
- Install temporary 1/2" nipples in the outlet elbows so that they extend a minimum of 2" (51 mm) beyond the finished wall.
- Turn ON the water supply to the valve.
- Check for leaks and proper operation.
- Turn OFF the water.
- Install caps on the temporary bath and shower nipples.
- Turn ON the water supply and check for leaks.
- Turn OFF the water.
- Complete the finished wall.
- Remove and discard the plaster guard.
- Install the trim according to the instructions provided with the trim.

### 3. Installation for 2-Way

---



**IMPORTANT!** This valve is not intended to be used as a shut-off valve. If fewer than three accessories will be installed, complete the 2-way conversion before plugging any outlets.

**IMPORTANT!** The internal plug must be removed before installing the finished wall.

#### 2-Way Conversion

- Temporarily remove the plaster guard.
- Rotate the detent until positioned vertically.
- Verify that the missing tooth is oriented up.
- Using a 1/4" hex wrench, remove and discard the internal plug from inside the valve body.
- Plug the unused port (left or right) with a 1/2 NPT plug (not provided).
- Using pliers, remove the spacer from the detent.
- Push the detent in. The points of the detent should engage the notches of the valve cartridge.
- Install the spacer between the detent and the E-ring.

## Install the 2-Way Valve

- Install 1/2" copper tubing or piping for both accessories. Securely fasten the piping and outlet elbows to the framing.
- Install temporary 1/2" nipples in the outlet elbows so that they extend a minimum of 2" (51 mm) beyond the finished wall.

**IMPORTANT!** For P29513: Water should flow as follows: Accessory 1, Accessories 1 and 2, Accessory 2. If water flows as: Accessory 2, Accessory 2, Accessories 1 and 2; remove the spacer, rotate the detent 180 degrees, then reinstall the spacer.

**NOTE: For P29514:** When the valve is turned midway between the two outlet ports, water flow from the ports will reduce to a trickle.

- Turn ON the water supply to the valve.
- Check for leaks and proper operation.
- Turn OFF the water.
- Install caps on the temporary bath and shower nipples.
- Turn ON the water supply and check for leaks.
- Turn OFF the water.
- Complete the finished wall.
- Remove and discard the plaster guard.
- Install the trim according to the instructions provided with the trim.

# Instructions d'installation

## Robinet coupleur à trois voies/deux voies

### Merci d'avoir choisi KALLISTA

---

Besoin d'aide? Appeler notre centre de services à la clientèle.

- 1-888-4-KALLISTA (1-888-452-5547)
- **Pièces de rechange**, visiter la page du produit sur le site [kallista.com](http://kallista.com).
- **Entretien et nettoyage** : [kallista.com/resources/product-care](http://kallista.com/resources/product-care)
- **Brevets** : [kohlercompany.com/patents](http://kohlercompany.com/patents)

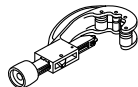
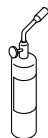
### Warranty

---

Ce produit est couvert sous la garantie limitée de cinq ans de **KALLISTA®**, fournie sur le site [kallista.com/resources/warranty](http://kallista.com/resources/warranty). Pour obtenir une copie imprimée des termes de la garantie, s'adresser au centre de services à la clientèle.

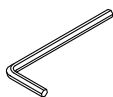
## Outils et matériel

---



Soudure

Coupe-tube



1/4 po



Ruban d'étanchéité

### Plus :

- Bouchon NPT 1/2
- Tubulure en cuivre de 1/2 po pour les orifices de sortie
- Tubulure en cuivre de 3/4 po pour les orifices d'entrée

## Avant de commencer

---



**AVERTISSEMENT : Risque de brûlures.** Une température d'eau élevée peut causer des brûlures graves. Régler la température de l'eau de la vanne à 120 °F (49 °C) ou moins. Consulter les instructions de réglage de température pour la vanne.



**ATTENTION : Risque d'endommagement du produit. Ne pas appliquer de la chaleur directe sur le corps de la vanne pendant le soudage.** Une chaleur excessive endommagera les composants internes en plastique ou en caoutchouc ainsi que le protecteur en plâtre.

**IMPORTANT!** Cette vanne n'est pas destinée à être utilisée en tant que robinet d'arrêt. Si moins de trois accessoires sont installés, effectuer la conversion à deux voies avant de boucher un orifice de sortie quelconque.

Respecter tous les codes de plomberie et de bâtiment locaux.

Lire ces instructions et planifier l'installation avant de commencer. L'emplacement, l'espacement et les exigences selon les circonstances des composants peuvent varier.

Une alimentation en eau mélangée est nécessaire pour cette vanne.

Ne pas jeter le protecteur en plâtre de la vanne avant d'en recevoir l'instruction.

Couper l'alimentation en eau.