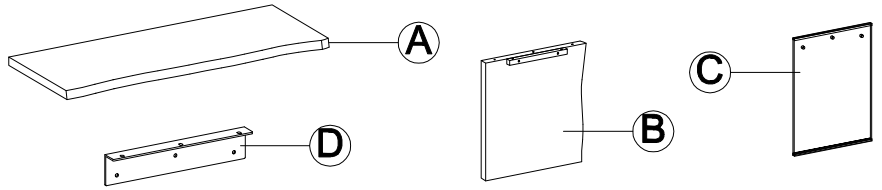


ONE COLL. WRITING DESK ASSEMBLY INSTRUCTIONS



PARTS PACKING CONFIGURATIONS

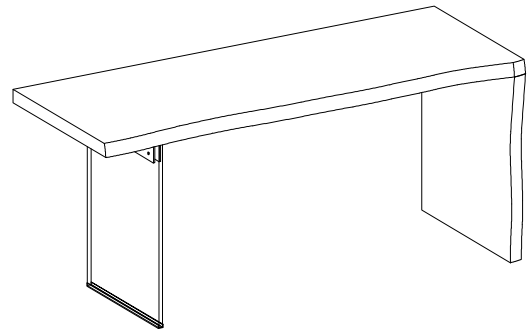
- A.TOP 1PC
- B.WOOD SIDE PANEL 1PC
- C.GLASS SIDE PANEL 1PC
- D.L-BRACKET 2PCS



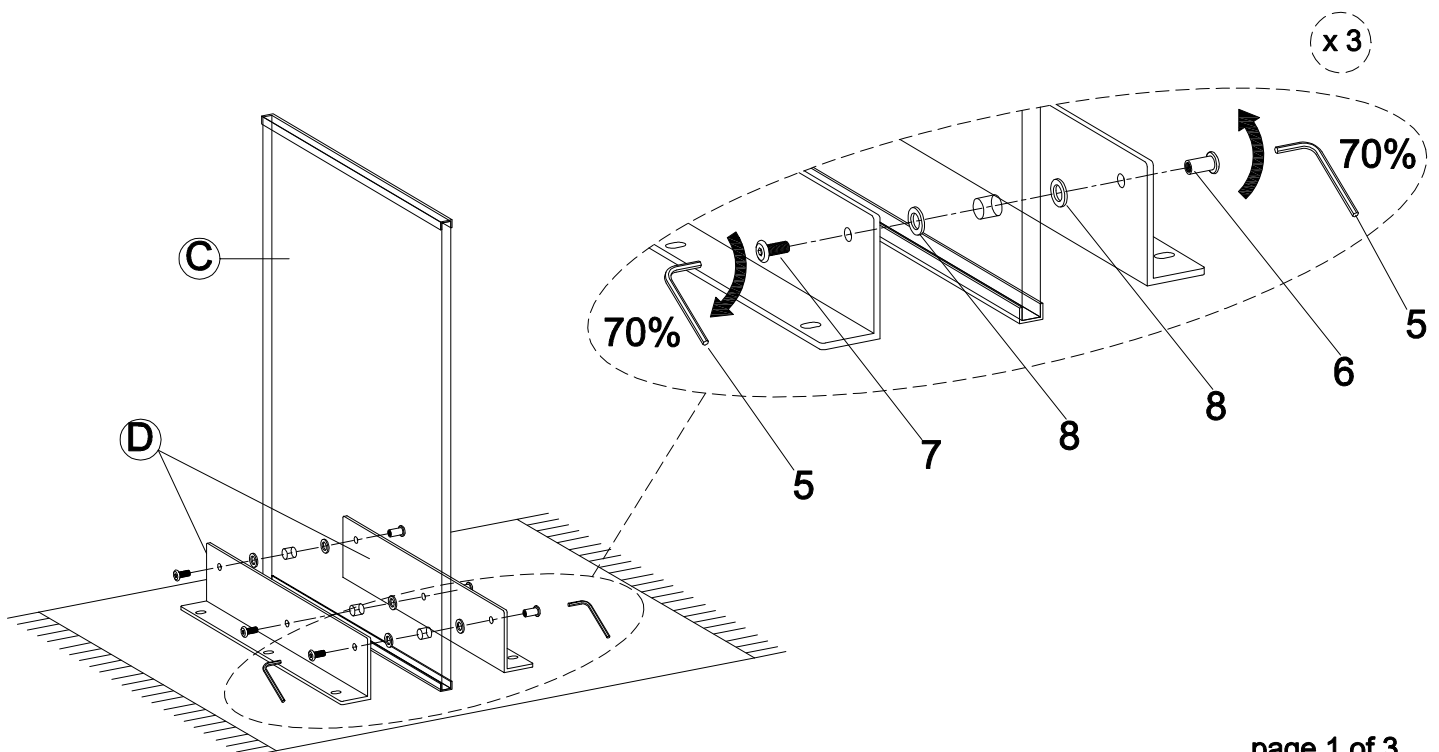
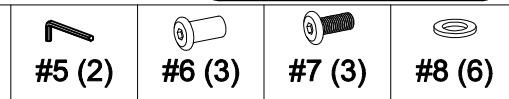
HARDWARE KIT PACKED IN BOX

NO.	DESCRIPTION	IMAGE	Q'TY
1	ALLEN BOLT (5/16"x1-1/2")		3 PCS
2	ALLEN BOLT (5/16"x1")		6 PCS
3	LOCK WASHER (5/16")		9 PCS
4	FLAT WASHER (5/16")		9 PCS
5	ALLEN KEY (5mm)		2 PCS
6	CONNECTOR CAP		3 PCS
7	CONNECTOR BOLT (M8x15mm)		3 PCS
8	PLASTIC WASHER (25x2mm)		6 PCS
9	WOOD DOWEL(8x30mm)		3 PCS

FULLY ASSEMBLED



Step 1:

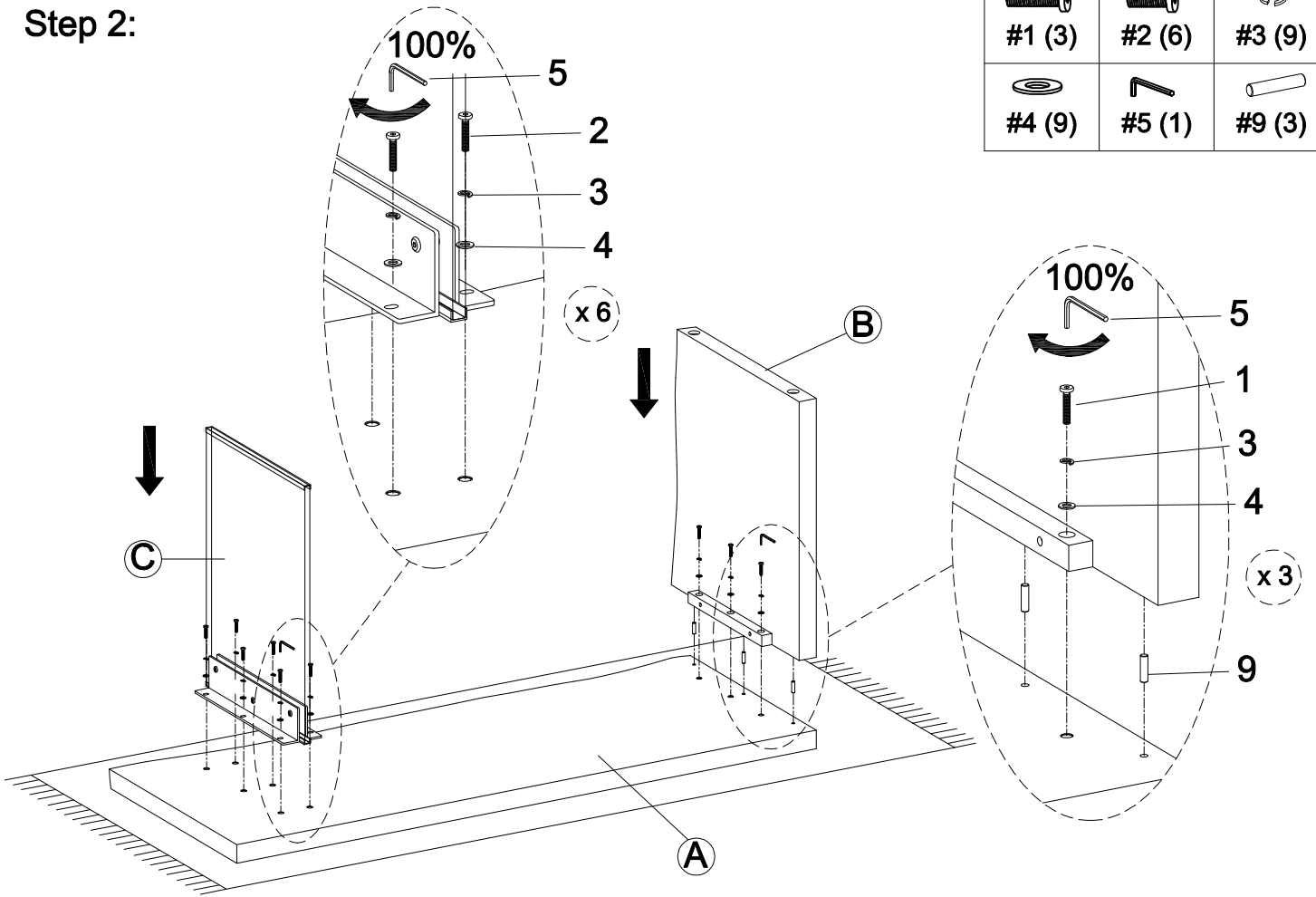


ONE COLL. WRITING DESK ASSEMBLY INSTRUCTIONS



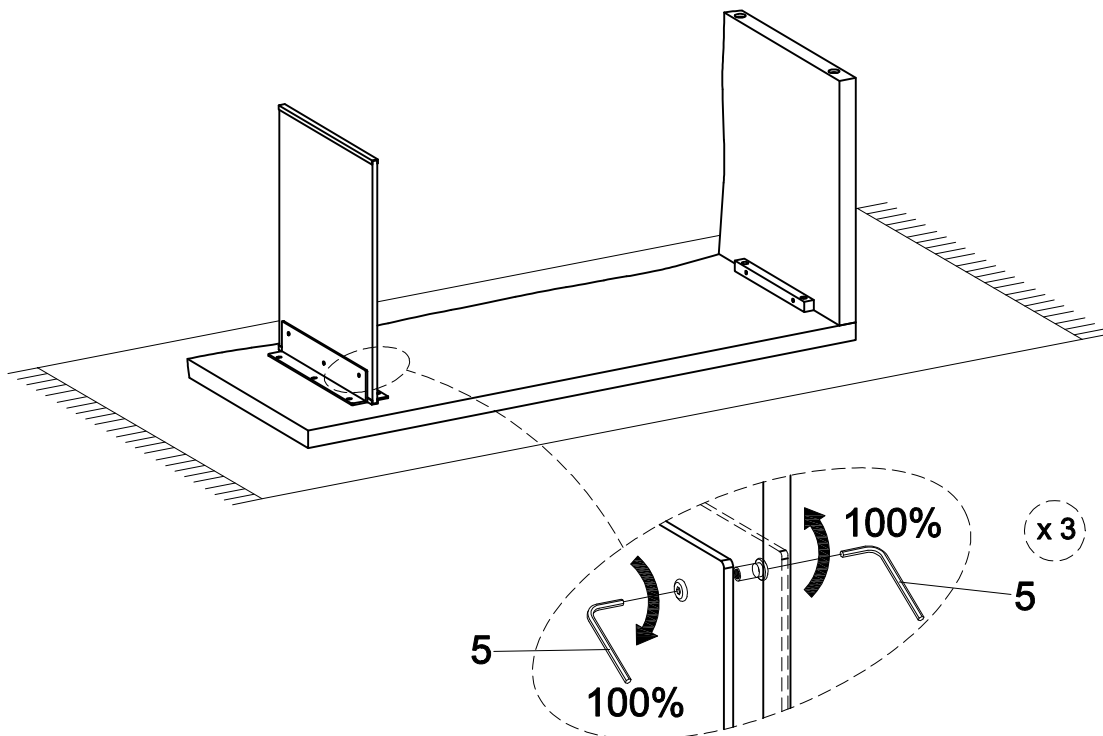
Step 2:

#1 (3)	#2 (6)	#3 (9)
#4 (9)	#5 (1)	#9 (3)



Step 3:

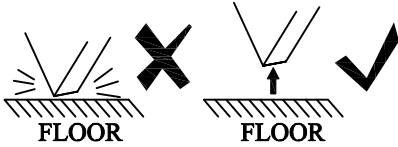
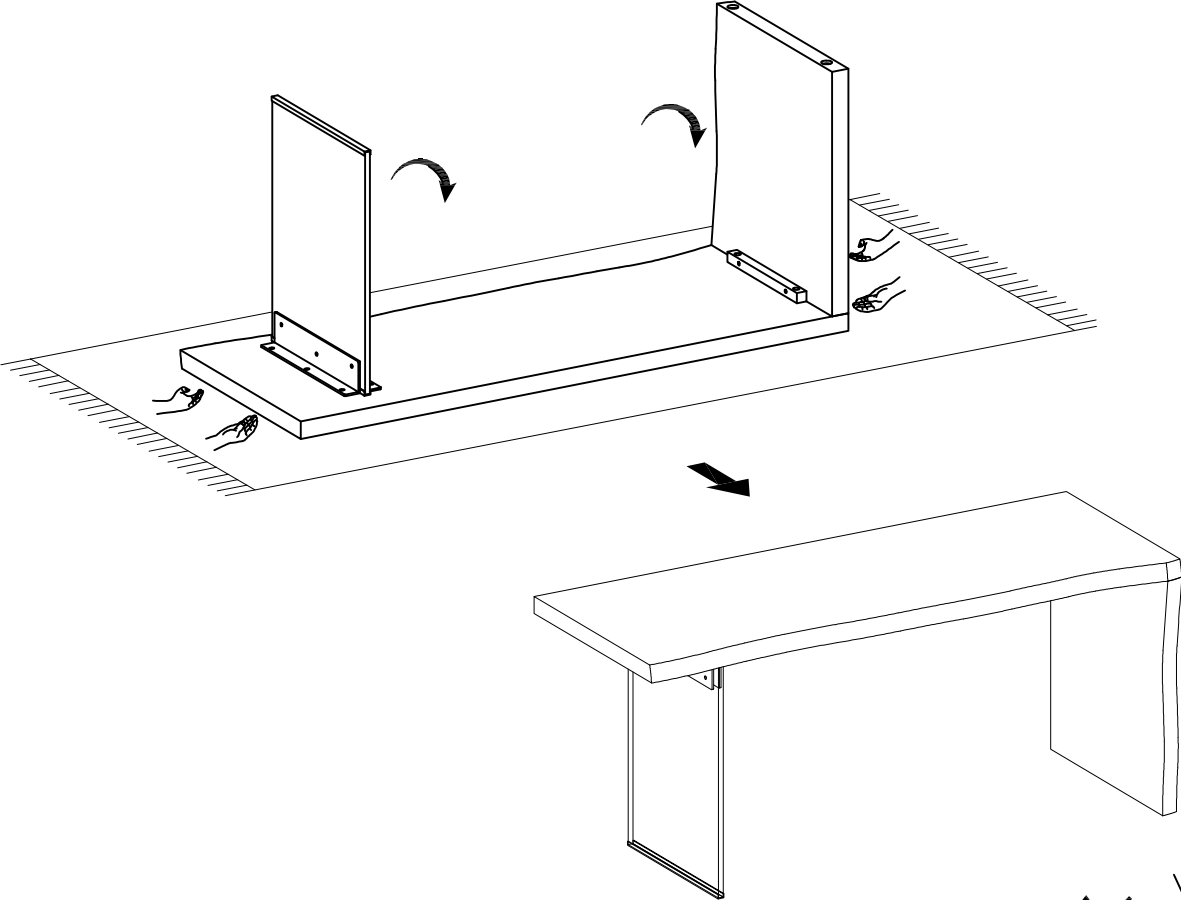
#5 (2)



ONE COLL. WRITING DESK ASSEMBLY INSTRUCTIONS



Step 4:



ASSEMBLY COMPLETE

