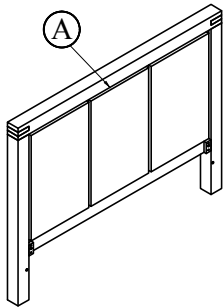


# MEADOW FULL / QUEEN / E.KING STORAGE BED

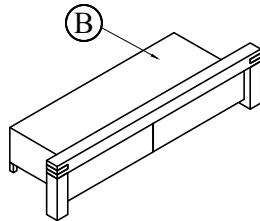
## ASSEMBLY INSTRUCTIONS



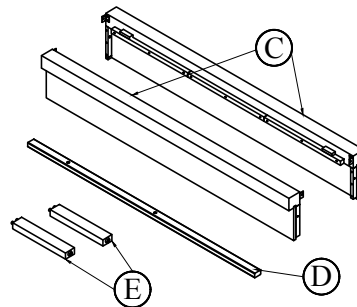
**BOX #1**  
A. HEADBOARD 1 PC



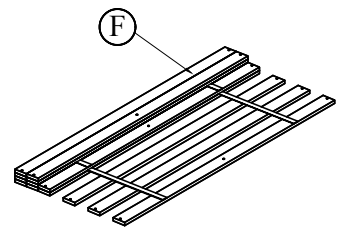
**BOX #2**  
B. FOOTBOARD 1 PC



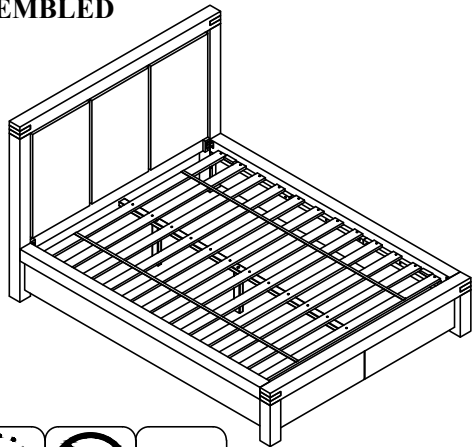
**BOX #3**  
C. SIDERAILS 2 PCS  
D. CENTER SUPPORT 1 PC  
E. LEG SUPPORTS 2 PCS



**BOX #4**  
F. SLAT ROLL 1 SET



### FULLY ASSEMBLED

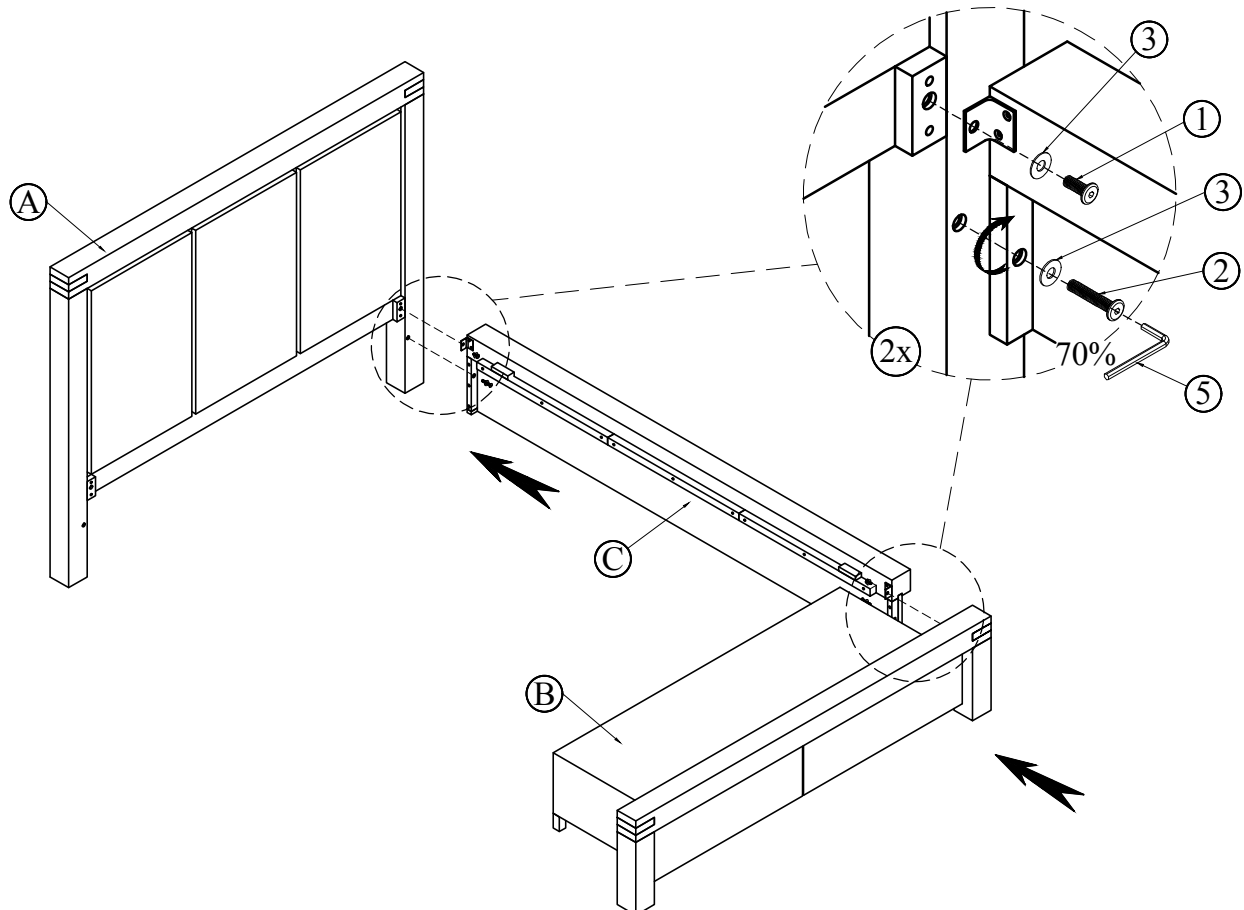


### HARDWARE KIT PACKED IN BOX # 2

1	ALLEN BOLT (8x20mm)		4 PCS
2	ALLEN BOLT (8x40mm)		4 PCS
3	FLAT WASHER (M8)		8 PCS
4	ALLEN SCREW (6x50mm)		2 PCS
5	ALLEN KEY		1 PC
6	WOOD SCREW (4x25mm)		36 PCS



### STEP 1

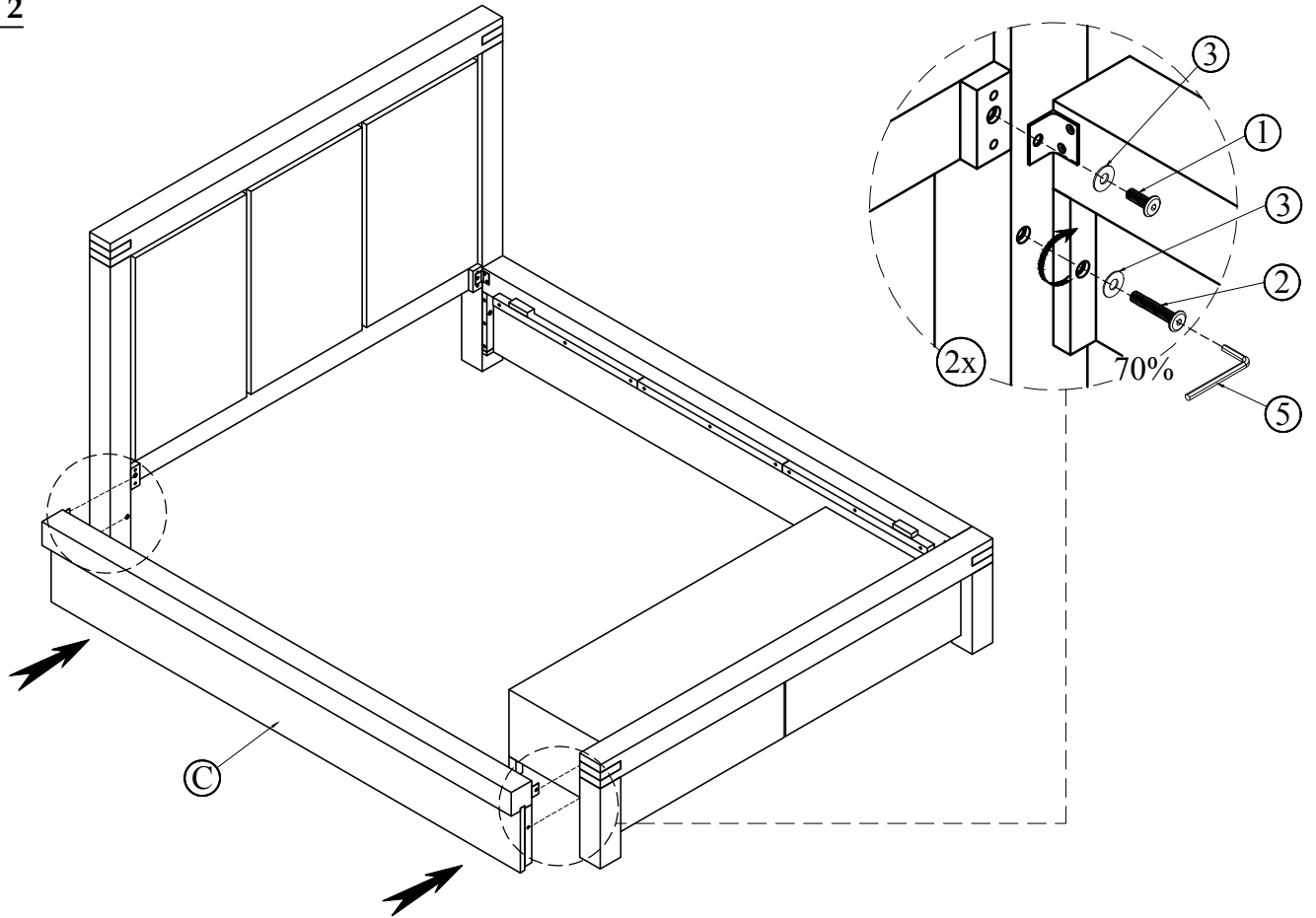


# MEADOW FULL / QUEEN / E.KING STORAGE BED

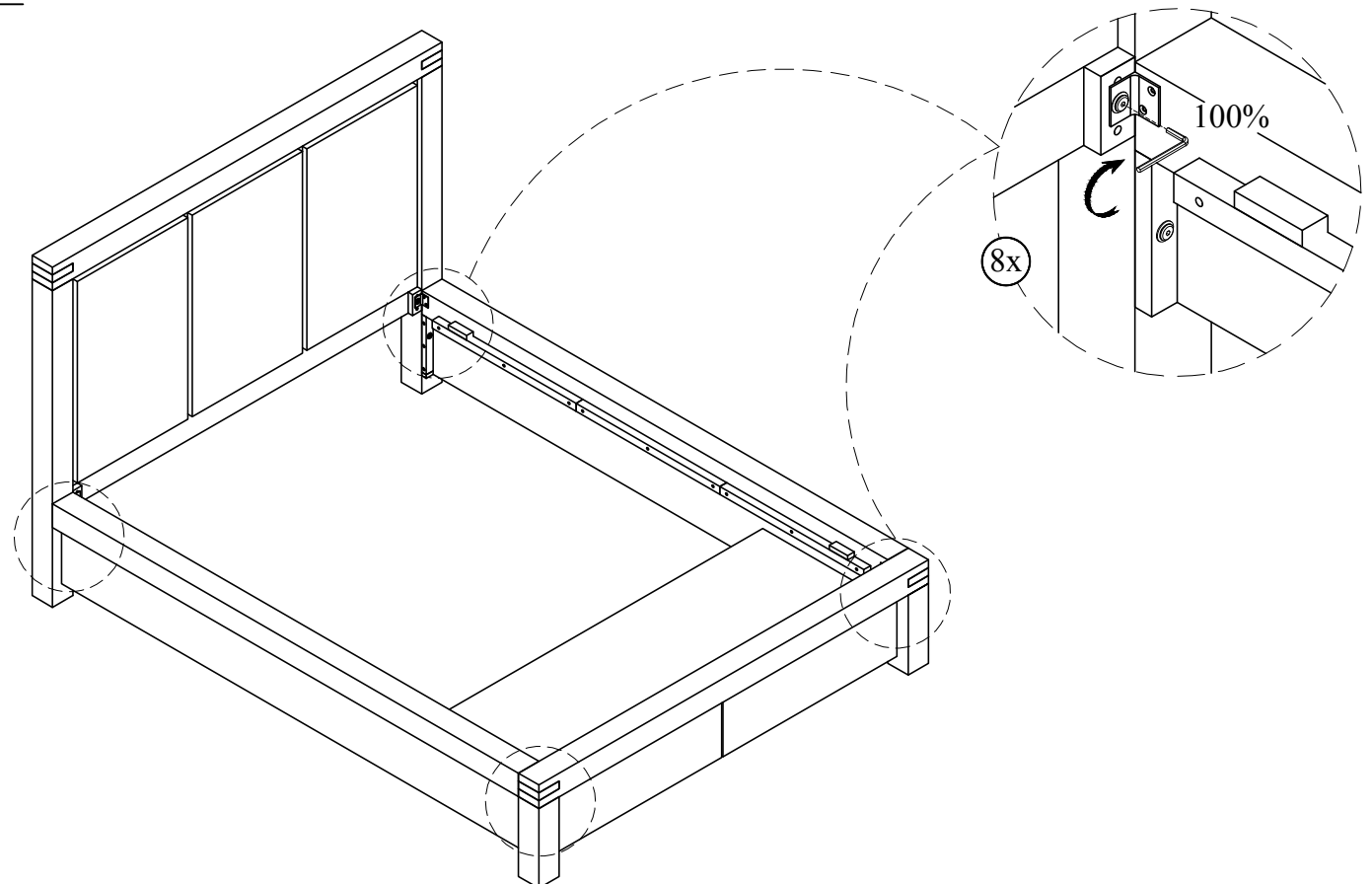
## ASSEMBLY INSTRUCTIONS



### STEP 2



### STEP 3

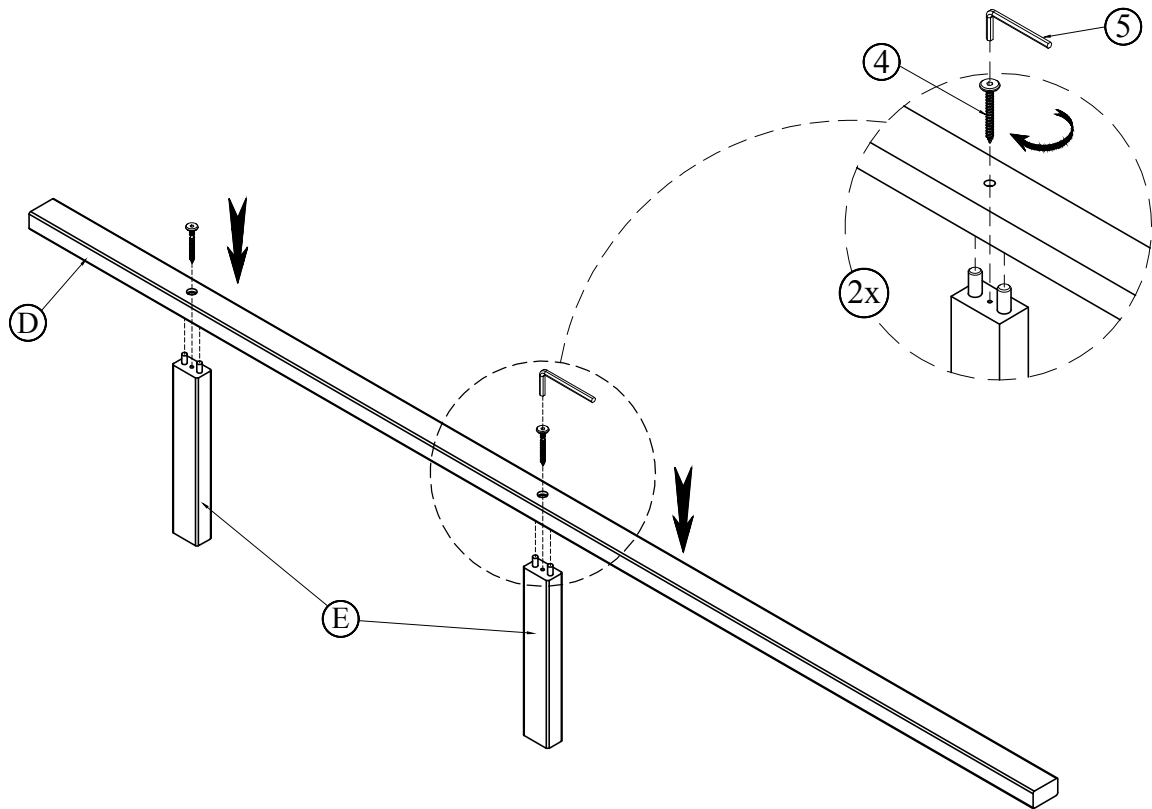


# MEADOW FULL / QUEEN / E.KING STORAGE BED

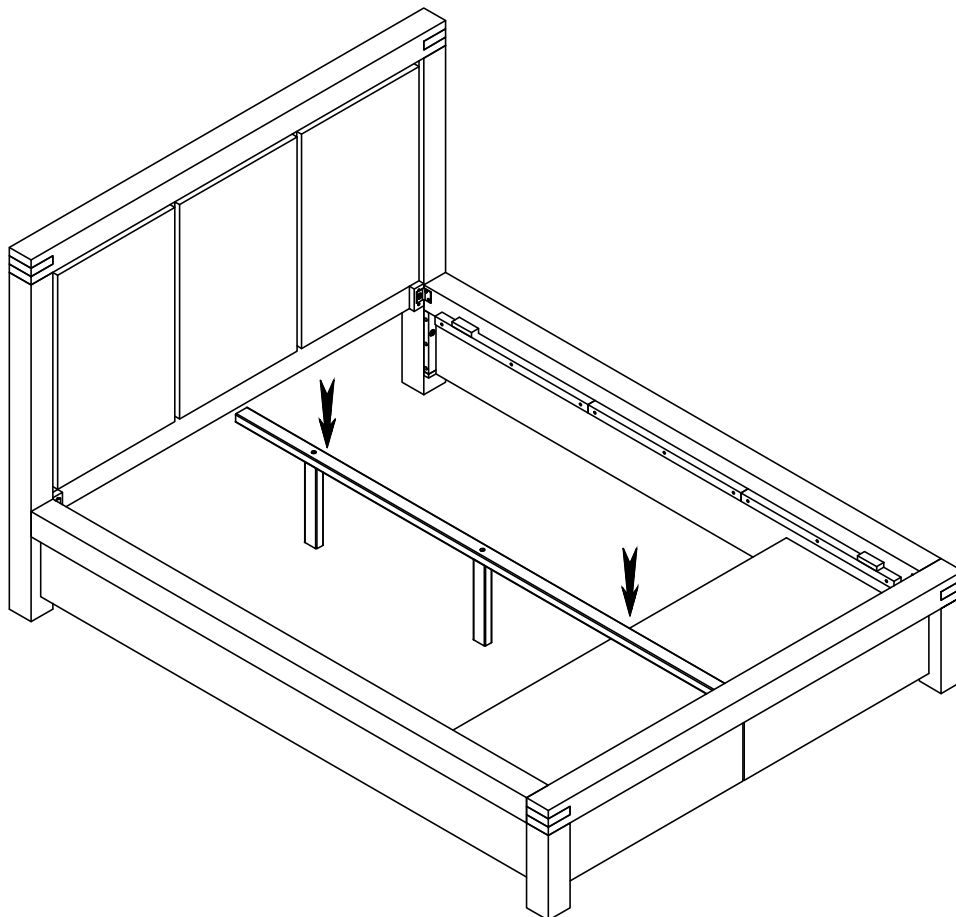
## ASSEMBLY INSTRUCTIONS



### STEP 4



### STEP 5

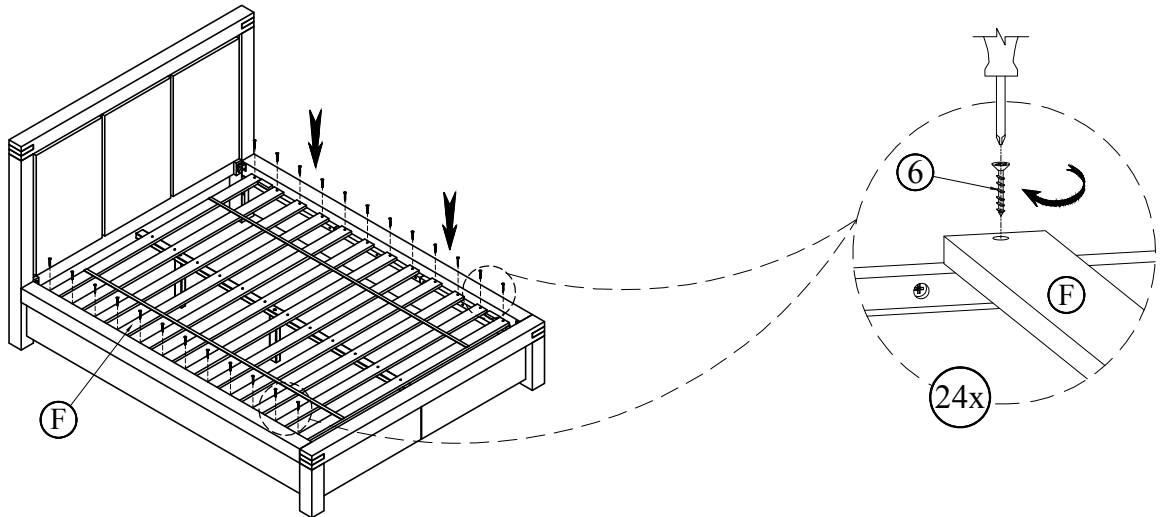


# MEADOW FULL / QUEEN / E.KING STORAGE BED

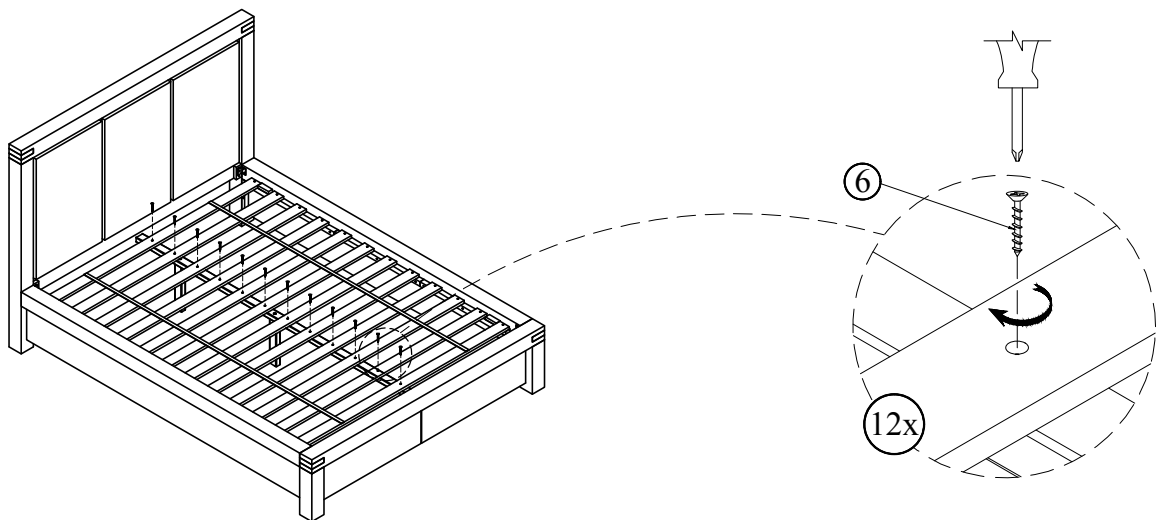
## ASSEMBLY INSTRUCTIONS



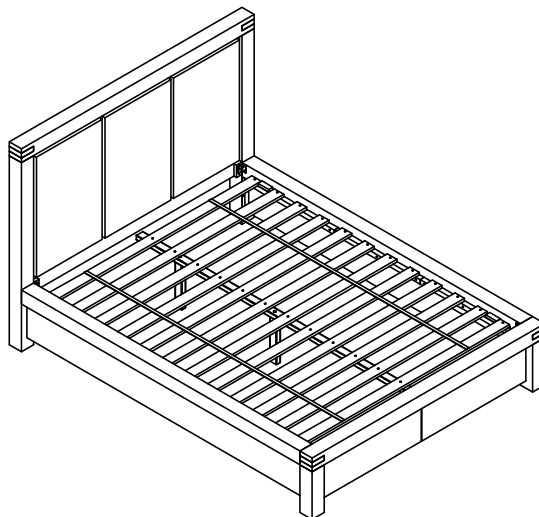
### STEP 6



### STEP 7



### STEP 8



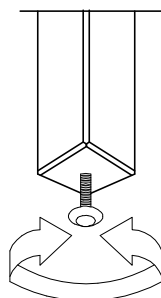
ASSEMBLY COMPLETE

#### INSTRUCTIONS FOR ADJUSTING LEVELERS:

Position the bed in your space and locate the leveler under each leg support (E).

Turn the leveler counter-clockwise to extend and clockwise to retract it.

Adjust each leveler until each leg support is applying equal, upward pressure on the center slat.



#### MAINTENANCE INSTRUCTIONS:

- Periodically check all fittings and tighten if necessary, as they can loosen over time.
- Always remove box spring and mattress before moving the bed.
- Lift the bed when moving it. Dragging the bed can damage the center support.
- Readjust levelers after moving the bed.