



FOLDABLE KITCHEN, SIDE COUNTER AND WATER BASIN

IMPORTANT, READ CAREFULLY, RETAIN FOR FUTURE REFERENCE. MANUAL MUST BE READ BEFORE OPERATING!



58227

MANUAL

FOR OUTDOOR USE ONLY. NOT FOR COMMERCIAL USE.

THIESSENS.COM



COPYRIGHT NOTICE

COPYRIGHT 2021. ALL RIGHT RESERVED.
NO PART OF THIS MANUAL MAY BE COPIED,
TRANSMITTED, TRANSCRIBED, STORED IN
A RETRIEVAL SYSTEM, IN ANY FORM OR BY
ANY MEANS WITHOUT EXPRESSED WRITTEN
PERMISSION OF,

MANUFACTURED BY:
DANSONS, 3411 NORTH 5TH AVENUE, SUITE
500, PHOENIX, AZ, USA 85013

CUSTOMER CARE
TOLL-FREE: 1-877-972-5742

TABLE OF CONTENTS

PARTS AND SPECS..... 3

ASSEMBLY PREPARATION 4

ASSEMBLY INSTRUCTIONS..... 4

COLLAPSING FOR TRANSPORT 6

CARE AND MAINTENANCE..... 7

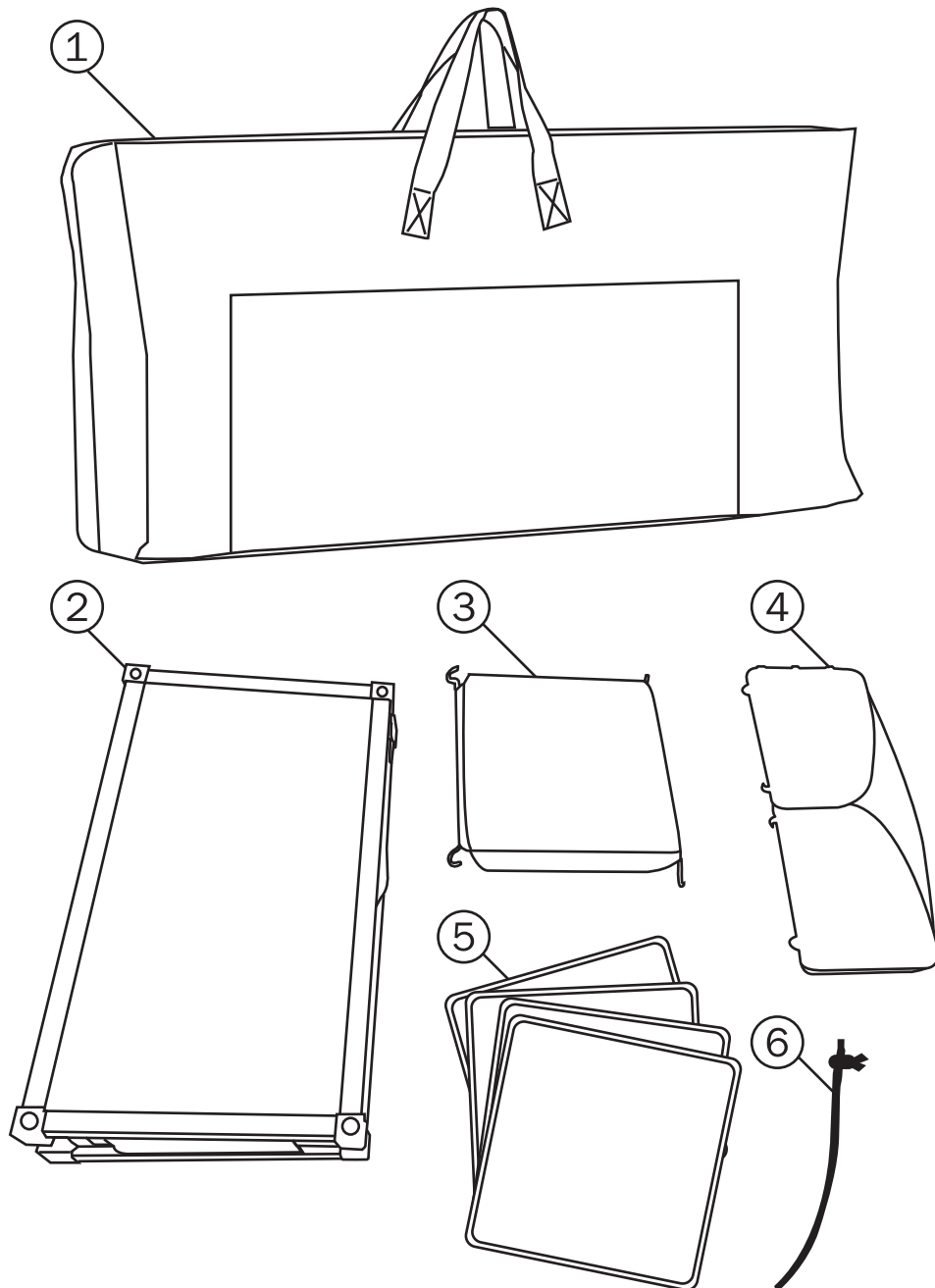
WARRANTY 8

PARTS AND SPECS

ASSEMBLED (L x W x H)	84.4 x 18.11 x 41.34 in. (214.4 x 46 x 105 cm)
WEIGHT	32 lb (14.5 kg)

PART	DESCRIPTION
1	Carry Bag (x1)
2	Cooking Table (x1)
3	Washing Sink (x1)
4	Windscreen (x1)
5	Layer Board (x1)
6	Washing Sink Drain (x1)

NOTE: Due to ongoing product development, parts are subject to change without notice. Contact Customer Care if parts are missing when assembling the unit.

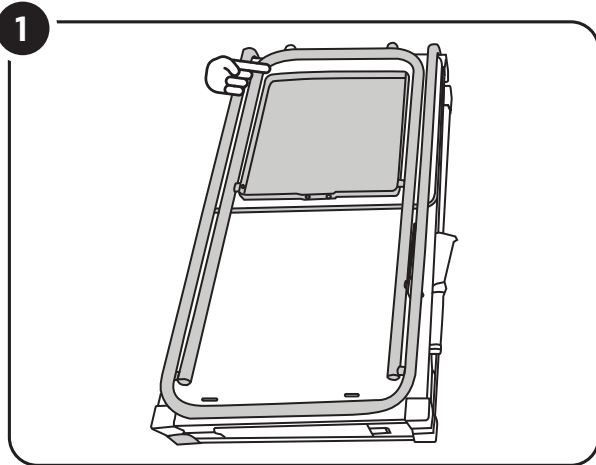


ASSEMBLY PREPARATION

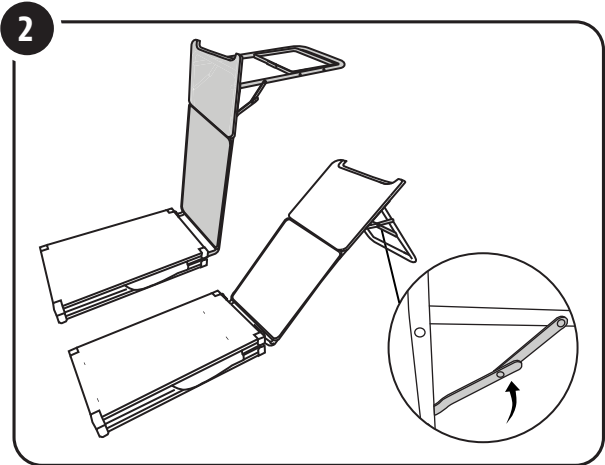
PARTS ARE LOCATED THROUGHOUT THE SHIPPING CARTON. INSPECT THE UNIT, PARTS, AND HARDWARE AFTER REMOVING FROM THE PROTECTIVE SHIPPING CARTON. DISCARD ALL PACKAGING MATERIALS FROM INSIDE AND OUTSIDE OF THE UNIT BEFORE ASSEMBLY, THEN REVIEW AND INSPECT ALL PARTS BY REFERENCING THE PARTS LIST. IF ANY PART IS MISSING OR DAMAGED, DO NOT ATTEMPT TO ASSEMBLE. SHIPPING DAMAGE IS NOT COVERED UNDER WARRANTY. CONTACT CUSTOMER CARE FOR PARTS

TO EASE INSTALLATION, USING TWO PEOPLE IS HELPFUL (BUT NOT NECESSARY) WHEN ASSEMBLING THIS UNIT.

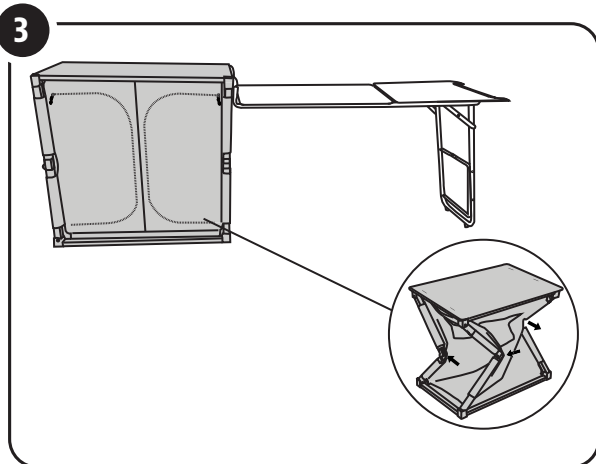
ASSEMBLY INSTRUCTIONS



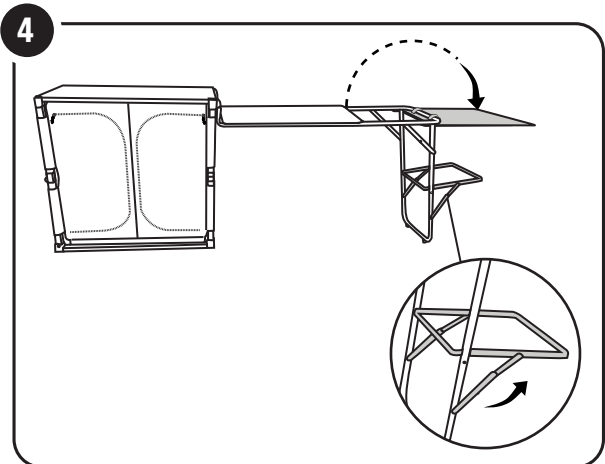
Turn over the Cooking Table with the framework facing up. Pull up on the bar to extend the leg support.



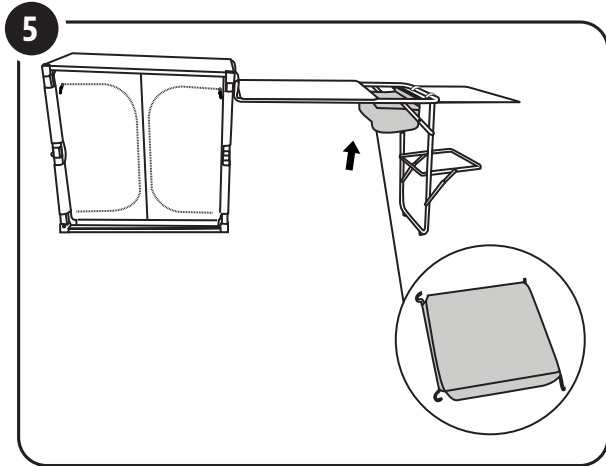
Turn the Cooking Table over with the leg support facing the ground. Push in the hinge to lock the support leg.



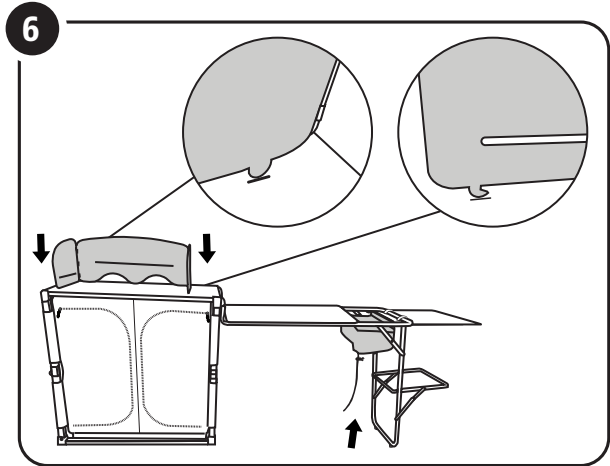
Pull up on the Cooking Table counter top to extend the storage area. Then pull on the plastic hinges to lock them in place.



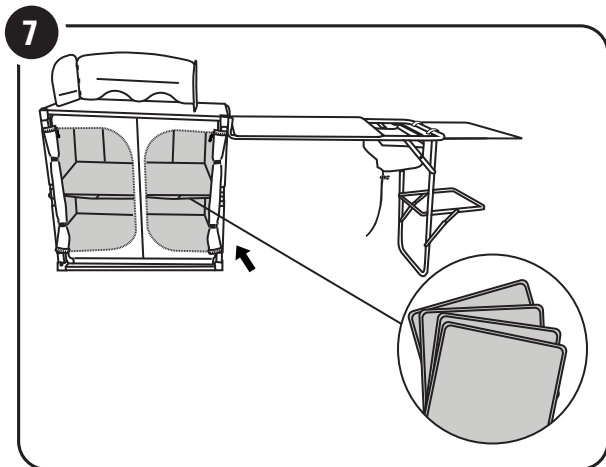
Flip open the outer hinged prep table and the lower frame for a waste receptacle.



Hook the Washing Sink between the two prep tables.

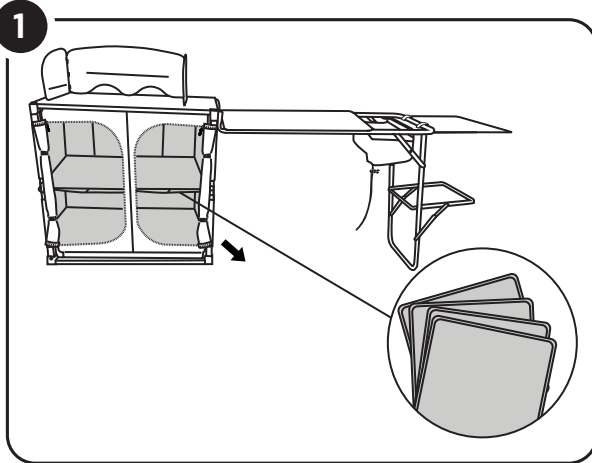


Unfold the Windscreen. Align the notches with the slots on top of the storage prep area and drop them into place. Slide the Windscreen slight forward to lock it into place. Attach the Washing Sink Drain to the bottom of the Washing Sink.

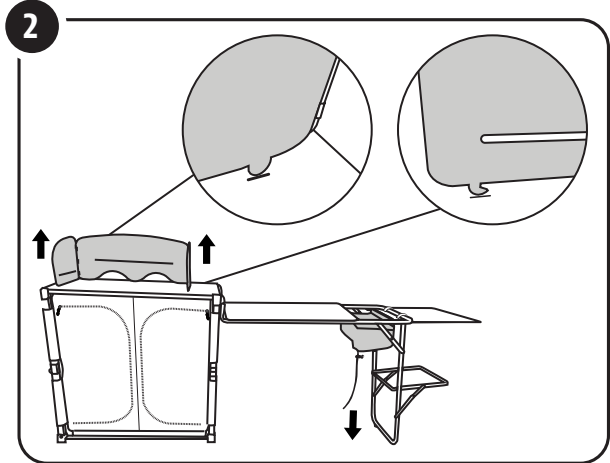


Place Layer Boards in the storage area to create shelves.

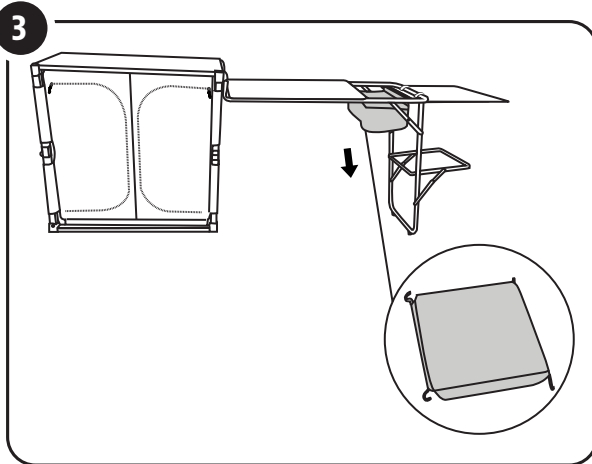
COLLAPSING FOR TRANSPORT



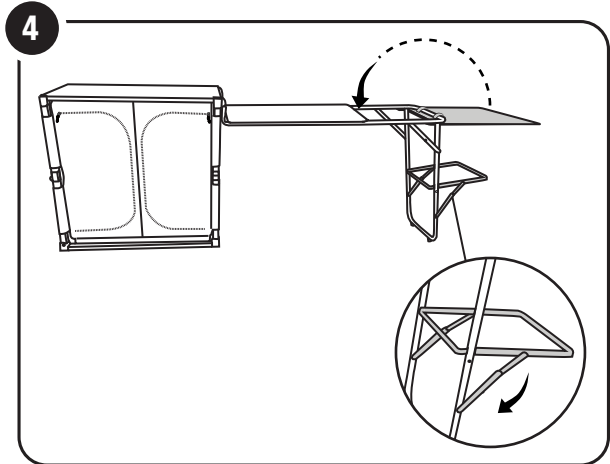
Remove Layer Boards from the storage area.



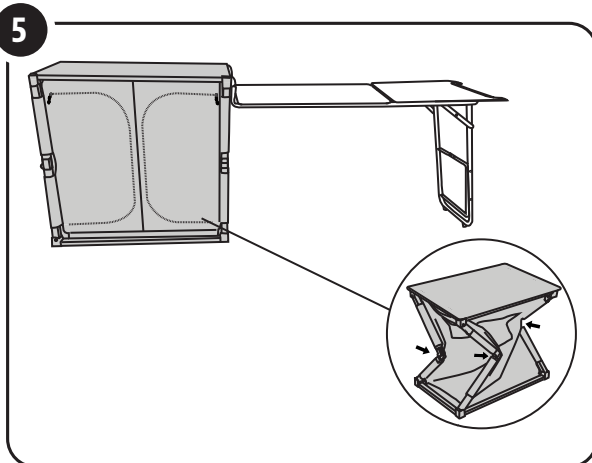
Push back on the front arms and lift up to remove the Windscreen. Pull down gently on the base of the Wash Sink Drain to remove.



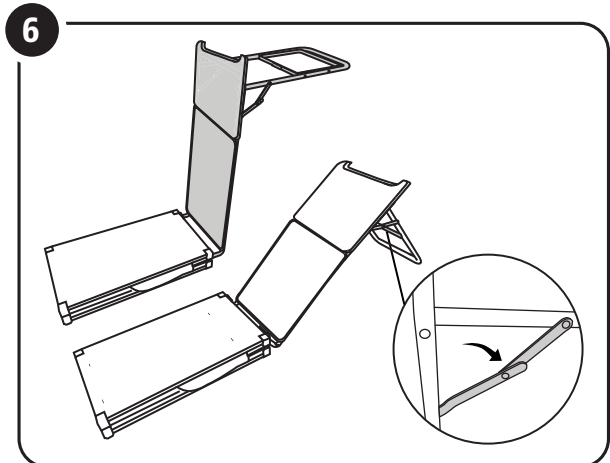
Unhook the Wash Sink from underneath the prep table area.



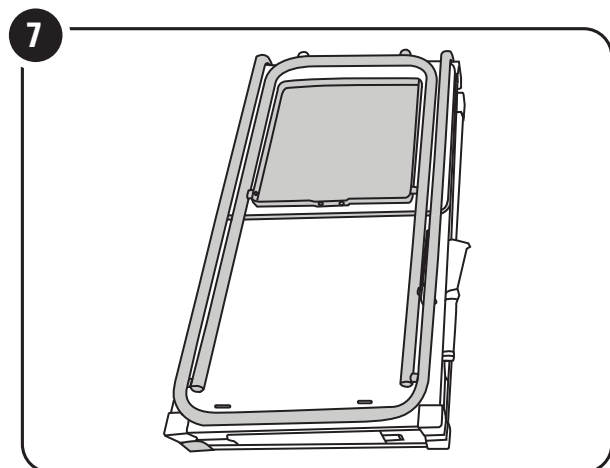
Flip closed the outer prep table and press the lower frame closed.



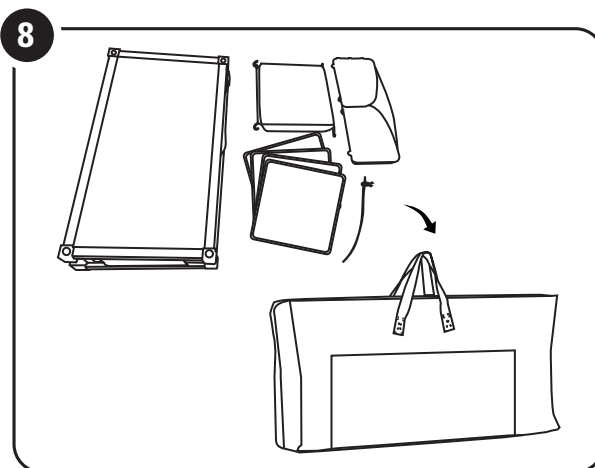
Press in the plastic hinges to unlock and collapse the storage area.



Press in the hinges and close the support leg.



Close the support leg table flat to the underside of the table.



Pack all items in the Carry Bag for easy transport.

CARE AND MAINTENANCE

CLEAN THE SURFACES WITH SOAPY WATER AND A NON-ABRASIVE CLOTH AS NEEDED OR AFTER EVERY MEAL PREP. THIS WILL AVOID SCRATCHES ON SURFACES, BACTERIA, OR CROSS-CONTAMINATION.

COMPONENT PART	CLEANING FREQUENCY	CLEANING METHOD
BAMBOO SURFACES	AS NEEDED	NON-ABRASIVE CLOTH & SOAPY WATER
COATED STEEL WINDSCREEN	AS NEEDED	NON-ABRASIVE CLOTH & SOAPY WATER
FABRIC	AS NEEDED	NON-ABRASIVE CLOTH & SOAPY WATER

WARRANTY

CONDITIONS

ALL PRODUCTS BY THIESSENS, MANUFACTURED BY DANSONS, CARRY A LIMITED WARRANTY FROM THE DATE OF SALE BY THE ORIGINAL OWNER. THE WARRANTY COVERAGE BEGINS ON THE ORIGINAL DATE OF PURCHASE AND PROOF OF DATE OF PURCHASE, OR COPY OF ORIGINAL BILL OF SALE, IS REQUIRED TO VALIDATE THE WARRANTY. CUSTOMERS WILL BE SUBJECT TO PARTS, SHIPPING, AND HANDLING FEES IF UNABLE TO PROVIDE PROOF OF THE PURCHASE OR AFTER THE WARRANTY HAS EXPIRED. DANSONS CARRIES A FIVE (5) YEAR WARRANTY AGAINST DEFECTS AND WORKMANSHIP ON ALL PARTS. DANSONS WARRANTS THAT ALL PART(S) ARE FREE OF DEFECTS IN MATERIAL AND WORKMANSHIP, FOR THE LENGTH OF USE AND OWNERSHIP OF THE ORIGINAL PURCHASER. WARRANTY DOES NOT COVER DAMAGE FROM WEAR AND TEAR, SUCH AS SCRATCHES, DENTS, DINGS, CHIPS OR MINOR COSMETIC CRACKS. THESE AESTHETIC CHANGES OF THE PRODUCT DO NOT AFFECT ITS PERFORMANCE. REPAIR OR REPLACEMENT OF ANY PART DOES NOT EXTEND PAST THE LIMITED WARRANTY BEYOND THE FIVE (5) YEAR FROM DATE OF PURCHASE.

DURING THE TERM OF THE WARRANTY, DANSONS' OBLIGATION SHALL BE LIMITED TO FURNISHING A REPLACEMENT FOR DEFECTIVE AND/OR FAILED COMPONENTS. AS LONG AS IT IS WITHIN THE WARRANTY PERIOD, DANSONS' WILL NOT CHARGE FOR REPAIR OR REPLACEMENT FOR PARTS RETURNED, FREIGHT PREPAID, IF THE PART(S) ARE FOUND BY DANSONS' TO BE DEFECTIVE UPON EXAMINATION. DANSONS' SHALL NOT BE LIABLE FOR TRANSPORTATION CHARGES, LABOR COSTS, OR EXPORT DUTIES. EXCEPT AS PROVIDED IN THESE CONDITIONS OF WARRANTY, REPAIR OR REPLACEMENT OF PARTS IN THE MANNER AND FOR THE PERIOD OF TIME MENTIONED HERETOFORE SHALL CONSTITUTE THE FULFILLMENT OF ALL DIRECT AND DERIVATIVE LIABILITIES AND OBLIGATIONS FROM DANSONS TO YOU. DANSONS TAKES EVERY PRECAUTION TO UTILIZE MATERIALS THAT RETARD RUST. EVEN WITH THESE SAFEGUARDS, THE PROTECTIVE COATINGS CAN BE COMPROMISED BY VARIOUS SUBSTANCES AND CONDITIONS BEYOND DANSONS' CONTROL. HIGH TEMPERATURES, EXCESSIVE HUMIDITY, CHLORINE, INDUSTRIAL FUMES, FERTILIZERS, LAWN PESTICIDES AND SALT ARE SOME OF THE SUBSTANCES THAT CAN AFFECT METAL COATINGS. FOR THESE REASONS, THE WARRANTY DOES NOT COVER RUST OR OXIDIZATION, UNLESS THERE IS LOSS OF STRUCTURAL INTEGRITY ON THE PRODUCT COMPONENTS. SHOULD ANY OF THE ABOVE OCCUR, KINDLY REFER TO THE CARE AND MAINTENANCE SECTION TO PROLONG THE LIFESPAN OF YOUR UNIT. DANSONS RECOMMENDS THE USE OF A CARRY BAG WHEN THE PRODUCT IS NOT IN USE.

THIS WARRANTY IS BASED ON NORMAL DOMESTIC USE AND SERVICE OF THE PRODUCT AND NEITHER LIMITED WARRANTY COVERAGE'S APPLY FOR THE PRODUCT WHICH IS USED IN COMMERCIAL APPLICATIONS.

EXCEPTIONS

THERE IS NO WRITTEN OR IMPLIED PERFORMANCE WARRANTY ON THIESSENS PRODUCTS, AS THE MANUFACTURER HAS NO CONTROL OVER THE INSTALLATION, OPERATION, CLEANING, OR MAINTENANCE. THIS WARRANTY WILL NOT APPLY NOR WILL DANSONS ASSUME RESPONSIBILITY IF YOUR PRODUCT HAS NOT BEEN INSTALLED, OPERATED, CLEANED AND MAINTAINED IN STRICT ACCORDANCE WITH THIS OWNER'S MANUAL. THE WARRANTY DOES NOT COVER DAMAGE OR BREAKAGE DUE TO MISUSE, IMPROPER HANDLING OR MODIFICATIONS. NEITHER DANSONS, OR AUTHORIZED THIESSENS DEALER, ACCEPTS RESPONSIBILITY, LEGAL OR OTHERWISE, FOR THE INCIDENTAL OR CONSEQUENTIAL DAMAGE TO THE PROPERTY OR PERSONS RESULTING FROM THE USE OF THIS PRODUCT. WHETHER A CLAIM IS MADE AGAINST DANSONS BASED ON THE BREACH OF THIS WARRANTY OR ANY OTHER TYPE OF WARRANTY EXPRESSED OR IMPLIED BY LAW, THE MANUFACTURER SHALL IN NO EVENT BE LIABLE FOR ANY SPECIAL, INDIRECT, CONSEQUENTIAL OR OTHER DAMAGES OF ANY NATURE WHATSOEVER IN EXCESS OF THE ORIGINAL PURCHASE OF THIS PRODUCT. ALL WARRANTIES BY MANUFACTURER ARE SET FORTH HEREIN AND NO CLAIM SHALL BE MADE AGAINST MANUFACTURER ON ANY WARRANTY OR REPRESENTATION. SOME STATES DO NOT ALLOW THE EXCLUSION OR LIMITATION OF INCIDENTAL OR CONSEQUENTIAL DAMAGES, OR LIMITATIONS OF IMPLIED WARRANTIES, SO THE LIMITATIONS OR EXCLUSIONS SET FORTH IN THIS LIMITED WARRANTY MAY NOT APPLY TO YOU. THIS LIMITED WARRANTY GIVES YOU SPECIFIC LEGAL RIGHTS AND YOU MAY HAVE OTHER RIGHTS, WHICH VARY FROM STATE TO STATE.

WARRANTY SERVICE

CONTACT DANSONS CUSTOMER CARE FOR REPAIR OR REPLACEMENT PARTS. DANSONS REQUIRES PROOF OF PURCHASE TO ESTABLISH A WARRANTY CLAIM; THEREFORE, RETAIN YOUR ORIGINAL SALES RECEIPT OR INVOICE FOR FUTURE REFERENCE. THE SERIAL AND MODEL NUMBER OF YOUR UNIT CAN BE FOUND ON THE BACK OF THE UNIT. RECORD NUMBERS BELOW AS THE LABEL MAY BECOME WORN OR ILLEGIBLE.

MODEL

SERIAL NUMBER

DATE OF PURCHASE

AUTHORIZED DEALER

CONTACT CUSTOMER CARE

IF YOU HAVE ANY QUESTIONS OR PROBLEMS,
CONTACT CUSTOMER CARE.

WWW.THIESSENS.COM | TOLL-FREE: 1-877-972-5742

CONTACT CUSTOMER CARE

IF YOU HAVE ANY QUESTIONS OR PROBLEMS,
CONTACT CUSTOMER CARE.

WWW.THIESENS.COM | TOLL-FREE: 1-877-972-5742

MADE IN CHINA



602210602UMV