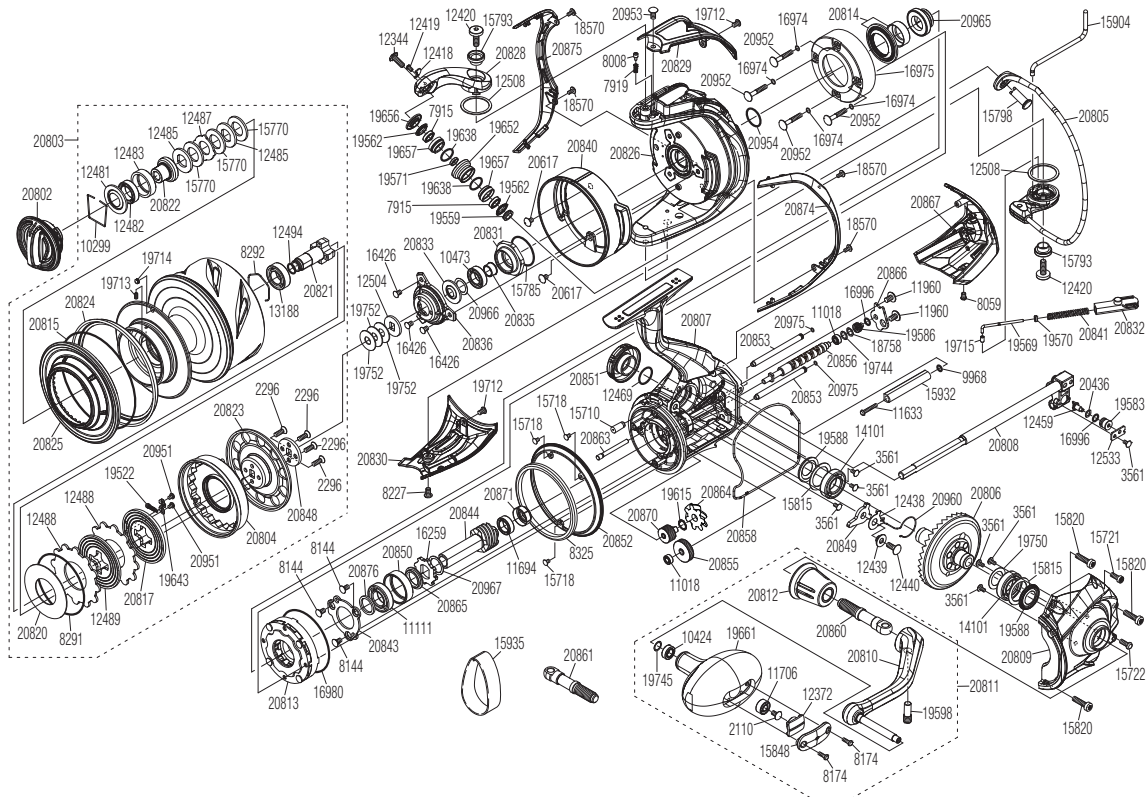


SHIMANO

STELLA SA-RB

STL-SW20000PG



Please note that the number of adjusting washers may not always be the same as shown in the exploded views.

(51SF24Y204X)

Please note that your actions take full responsibility when you take it apart.

Part No.	Description	Part No.	Description	Part No.	Description
RD 2110	Screw	RD18259	Ratchet	RD20830	Bail Hold Support Guard
RD 2296	Screw	RD18426	Screw	RD20831	Rotor Nut
RD 3564	Screw	RD18974	O Ring	RD20832	Bail Spring Guide B
RD 7915	Ball Bearing	RD16975	Clutch Water Proof Cover	RD20833	Bearing Water Proof
RD 7919	Click Spring	RD16980	Clutch Cover Water Proof	RD20835	Spacer
RD 8008	Click Pin	RD16996	O Ring	RD20836	Retainer
RD 8059	Screw	RD18570	Screw	RD20840	Rotor Brim
RD 8144	Screw	RD18758	Washer	RD20841	Bail Spring
RD 8174	Screw	RD19522	Drag Click Assembly	RD20843	Bearing Retainer
RD 8227	Screw	RD19559	Collar	RD20844	Pinion Gear
RD 8231	O Ring	RD19562	Line Roller Seal	RD20848	Spool Support B
RD 8292	Bearing Retainer	RD19569	Bail Spring Guide A	RD20849	Stopper
RD 8325	Friction Ring	RD19570	Spring Guide A Support Collar	RD20850	Bearing Housing
RD 9665	O Ring	RD19571	Collar	RD20851	Handle Screw Cap
RD10299	Retainer	RD19583	Collar	RD20852	Body Flange Ring
RD10424	Ball Bearing	RD19586	Bushing	RD20853	Oscillating Guide
RD10473	Ball Bearing	RD19588	Bearing Water Proof	RD20855	Idle Gear
RD11018	Ball Bearing	RD19598	Screw	RD20856	Worm Shaft
RD11111	Ball Bearing	RD19615	Washer	RD20858	Body Seal
RD11633	Screw	RD19638	O Ring	RD20860	Handle Shaft
RD11694	Ball Bearing	RD19643	Spring Holder	RD20863	Idle Gear Shaft
RD11706	Ball Bearing	RD19652	Line Roller	RD20864	Idle Gear (Large)
RD11960	Screw	RD19656	Line Roller Plate	RD20865	Pinion Gear Collar
RD12344	Screw	RD19657	Bushing	RD20866	Worm Shaft Retainer
RD12394	Handle Knob Seal	RD19661	Handle Knob	RD20867	Rear Protector
RD12418	Retainer	RD19712	Screw	RD20870	Idle Gear (Small)
RD12419	Screw	RD19713	Set Screw	RD20871	Bushing
RD12420	Screw	RD19714	Spool Ring Pin	RD20874	Rotor Guard A
RD12438	Stopper Cover	RD19715	Bail Spring Guide A Bush	RD20875	Rotor Guard B
RD12439	Collar	RD19744	Washer	RD20876	Washer
RD12440	Screw	RD19745	Washer	RD20951	Screw
RD12459	Oscillating Pawl	RD19750	Washer	RD20952	Screw
RD12469	O Ring	RD19752	Spool Washer A	RD20953	Screw
RD12481	Waterproof Sheet	RD20436	Washer	RD20954	O Ring
RD12482	Ball Bearing	RD20617	Screw	RD20954	Stopper Spring
RD12483	Bearing Bushing	RD20802	Drag Knob Assembly	RD20965	Roller Clutch Inner
RD12485	Key Washer	RD20803	Spool Assembly	RD20966	Washer
RD12487	Eared Washer	RD20804	Drag Cover Assembly	RD20967	Washer
RD12488	Drag Washer B	RD20805	Bail Assembly	RD20975	O Ring
RD12489	Drag Disk A	RD20806	Drive Gear Assembly		
RD12494	O Ring	RD20807	Body Assembly		
RD12504	Spool Support A	RD20808	Main Shaft Assembly		
RD12508	Washer	RD20809	Side Cover Assembly		
RD12533	Oscillating Pawl Cover	RD20810	Handle Shank Assembly		
RD13188	Ball Bearing	RD20811	Handle Assembly		
RD14101	Ball Bearing	RD20812	Handle Shaft Cover Assembly		
RD15710	Body Flange Seal	RD20813	Roller Clutch Assembly		
RD15718	Screw	RD20814	Roller Clutch Waterproof Assembly		
RD15721	Screw	RD20815	O Ring		
RD15722	Screw	RD20817	Drag Disk B		
RD15770	Drag Washer A	RD20820	Drag Washer C		
RD15785	Nut Water Proof	RD20821	Bearing Bushing		
RD15793	Collar	RD20822	Bearing Support		
RD15798	Line Roller Support	RD20823	Heat Sink		
RD15815	Washer	RD20824	Spool Ring		
RD15820	Screw	RD20825	Collar		
RD15846	Handle Knob ID Plate	RD20826	Rotor		
RD15934	Bail Trip Lever	RD20828	Bail Arm	RD15935	Belt (L) (accessory)
RD15932	Collar	RD20829	Bail Spring Cover	RD20861	Handle Shaft (Right) (accessory)