

# HF

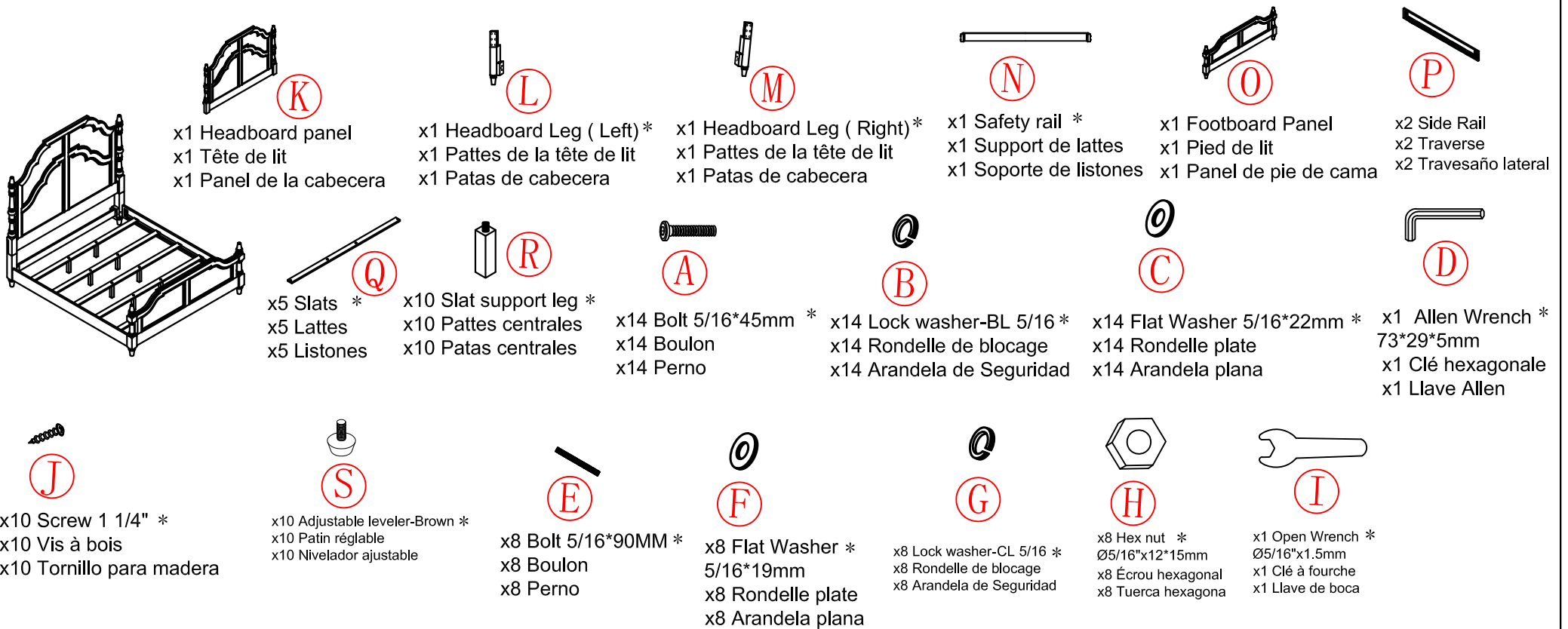
# HOOKE<sup>®</sup> FURNISHINGS

## PARTS LIST / LISTE DES PIÈCES / LISTA DE PIEZAS

ITEM NO. / ARTICLE NO. / ARTICULO NO : P348160/P348161/P348152/P348167

### DESCRIPTION/LA DESCRIPCION/DESCRIPCIÓN :

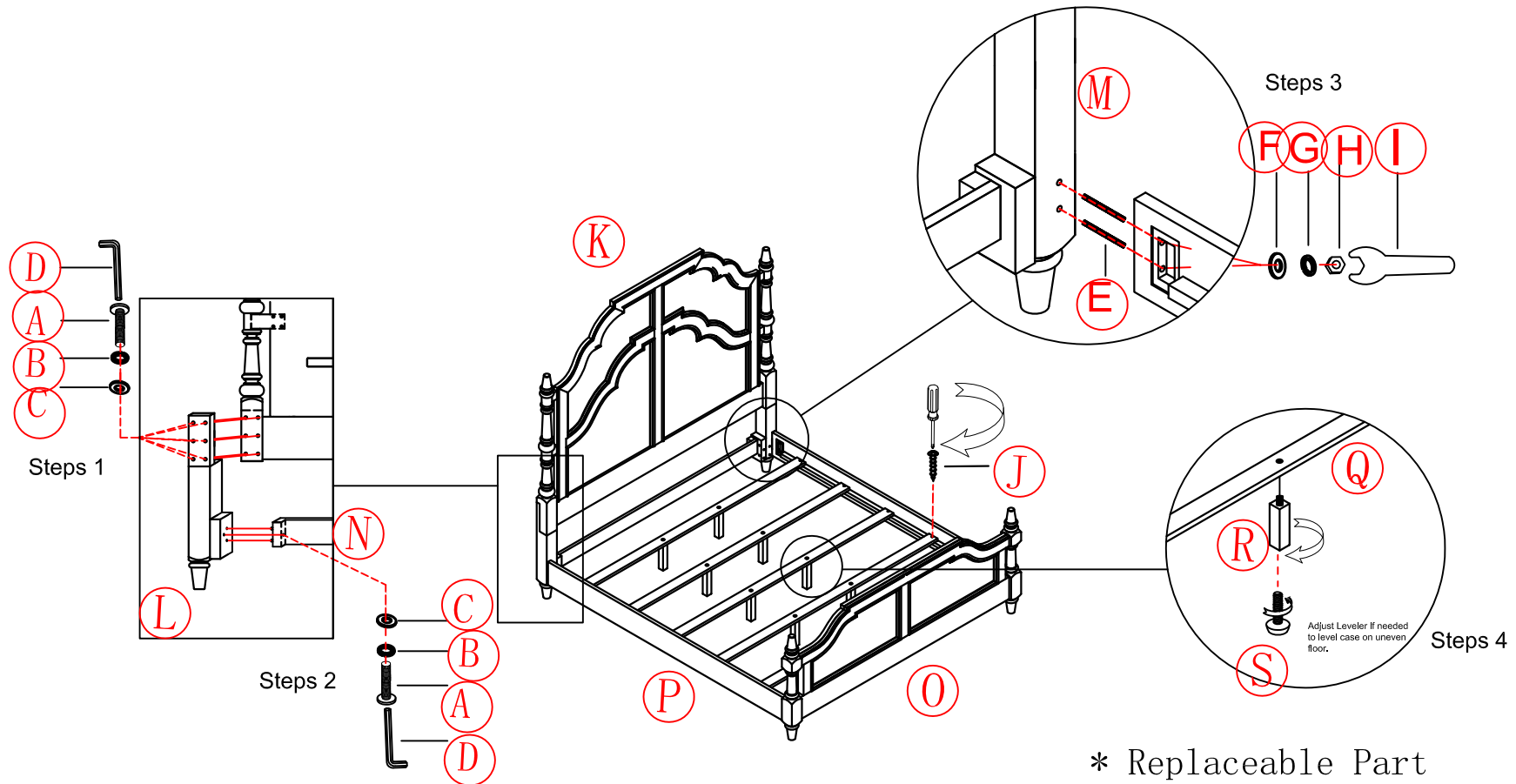
6/6 Panel Headboard-Tête de très grand lit standard en panneau-Cabecera estilo panel de 6/6  
6/6 Panel Footbd & Slats-Pied de très grand lit standard avec lattes-Pie de cama y listones de 6/6  
5/0-6/6 Side Rails-Traverses de grand lit et très grand lit standard-Travesaños laterales de 5/0-6/6  
6/0 Side Rails-Traverses de très grand lit californien-Travesaños laterales de 6/0



\* Replaceable Part

**DESCRIPTION/LA DESCRIPCION/DESCRIPCIÓN :**

6/6 Panel Headboard-Tête de très grand lit standard en panneau-Cabecera estilo panel de 6/6  
 6/6 Panel Footbd & Slats-Pied de très grand lit standard avec lattes-Pie de cama y listones de 6/6  
 5/0-6/6 Side Rails-Traverses de grand lit et très grand lit standard-Travesaños laterales de 5/0-6/6  
 6/0 Side Rails-Traverses de très grand lit californien-Travesaños laterales de 6/0



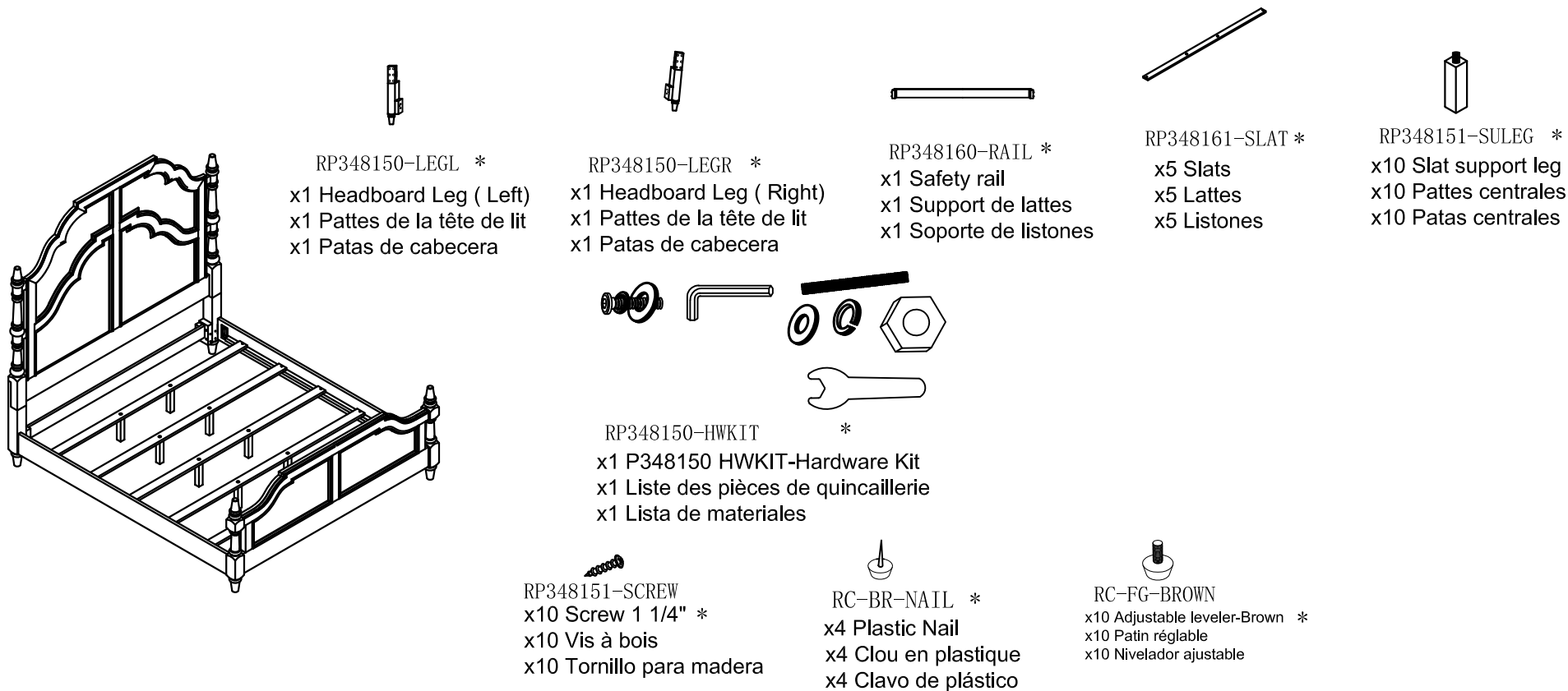
**DESCRIPTION/LA DESCRIPCION/DESCRIPCIÓN :**

6/6 Panel Headboard-Tête de très grand lit standard en panneau-Cabecera estilo panel de 6/6

6/6 Panel Footbd & Slats-Pied de très grand lit standard avec lattes-Pie de cama y listones de 6/6

5/0-6/6 Side Rails-Traverses de grand lit et très grand lit standard-Travesaños laterales de 5/0-6/6

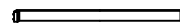
6/0 Side Rails-Traverses de très grand lit californien-Travesaños laterales de 6/0



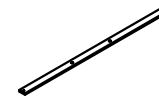
RP348150-LEGL \*  
x1 Headboard Leg ( Left)  
x1 Pattes de la tête de lit  
x1 Patas de cabecera



RP348150-LEGR \*  
x1 Headboard Leg ( Right)  
x1 Pattes de la tête de lit  
x1 Patas de cabecera



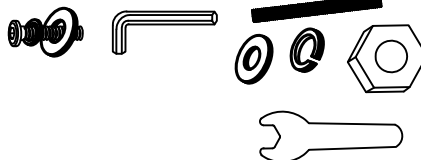
RP348160-RAIL \*  
x1 Safety rail  
x1 Support de lattes  
x1 Soporte de listones



RP348161-SLAT \*  
x5 Slats  
x5 Lattes  
x5 Listones



RP348151-SULEG \*  
x10 Slat support leg  
x10 Pattes centrales  
x10 Patas centrales



RP348150-HWKIT \*  
x1 P348150 HWKIT-Hardware Kit  
x1 Liste des pièces de quincaillerie  
x1 Lista de materiales



RP348151-SCREW  
x10 Screw 1 1/4" \*  
x10 Vis à bois  
x10 Tornillo para madera



RC-BR-NAIL \*  
x4 Plastic Nail  
x4 Clou en plastique  
x4 Clavo de plástico



RC-FG-BROWN  
x10 Adjustable leveler-Brown \*  
x10 Patin réglable  
x10 Nivelador ajustable

\* Replaceable Part

## **Protect Your Wood or Laminate Flooring**

\*This statement applies to any floor without carpet.

If not careful, all furniture including upholstery and case pieces can scratch, scuff and even gouge floors. The recommendation is to have felt, rubber pads or area rugs under furniture on flooring without carpet.

### **Moving your furniture**

Pushing and dragging furniture over floors without carpet can lead to scratches and scuffs. Have someone help when moving the larger pieces of furniture by lifting, try using a dolly or moving pads.

### **Felt and rubber pads**

Applying furniture pads to the feet of furniture helps cushion contact points. Furniture pads can be found at local hardware stores. Felt pads slide easily across the floor, making them ideal for dining chairs and other pieces that move with use. Rubber pads will help furniture stay in place and are perfect for larger pieces, like sofas and loveseats.

### **Area rugs and rug pads**

Using an area rug under furniture is another way to protect your floor from scratches and scuff marks. A rug pad under the area rug will provide extra cushion and added protection.