




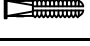



# ASSEMBLY INSTRUCTION


ITEM: 6750-90302-85 Nine-Drawer Dresser  
6750-90004-97 Mirror

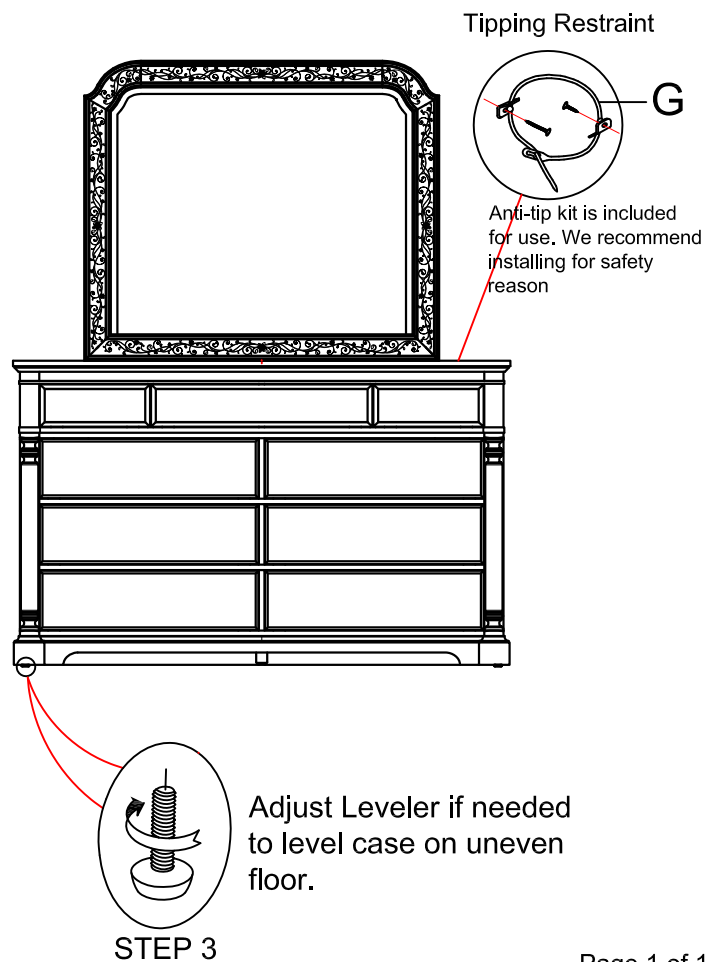
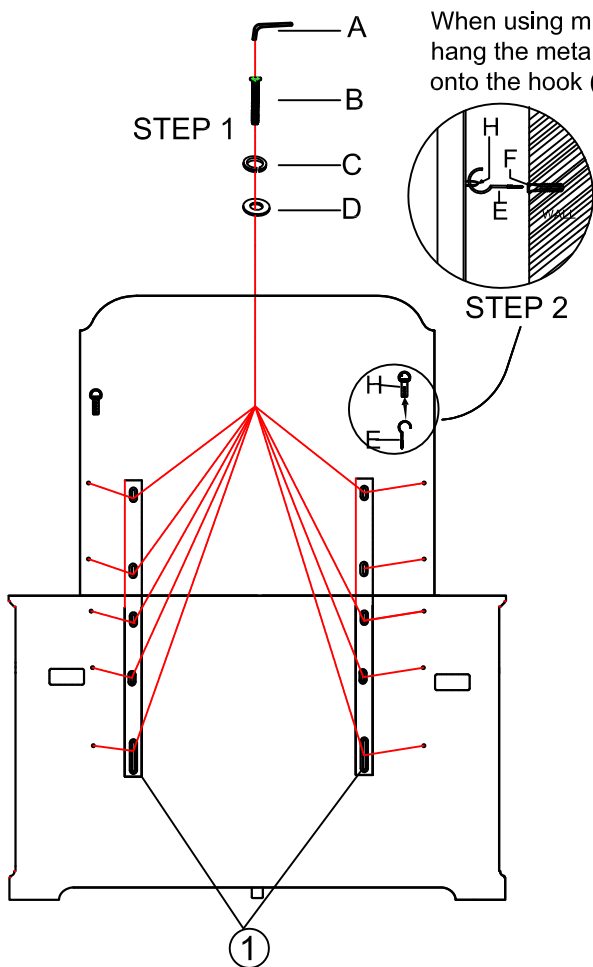
Thank you for purchasing this quality product. Be sure to unpack carefully looking for small parts which may have come loose during shipment.  
Read all instruction and study the drawing carefully before starting the assembly process.

### HARDWARE PACK

NO.	DRAWING	DESCRIPTION	SIZE	Q'TY
A		Allen Wrench	69*27.2*4mm	1PC
B		Bolt	1/4"	10PCS
C		Lock Washer	1/4"	10PCS
D		Flat Washer	1/4"	10PCS
E		Hook	4*53mm	2PCS
F		Plastic Anchor	∅ 9*30mm	2PCS
G		Plastic Anchor		1PC

### PART LIST

NO.	DRAWING	DESCRIPTION	Q'TY
①		Wooden Support	2PCS



Note: Anti-tip kit restraint is provided. Please follow the instructions enclosed with the pack.





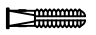
# ASSEMBLY INSTRUCTION

ITEM: 6750-90302-85 Nine-Drawer Dresser  
6750-90006-85 Landscape Mirror

Thank you for purchasing this quality product. Be sure to unpack carefully looking for small parts which may have come loose during shipment.  
Read all instruction and study the drawing carefully before starting the assembly process.

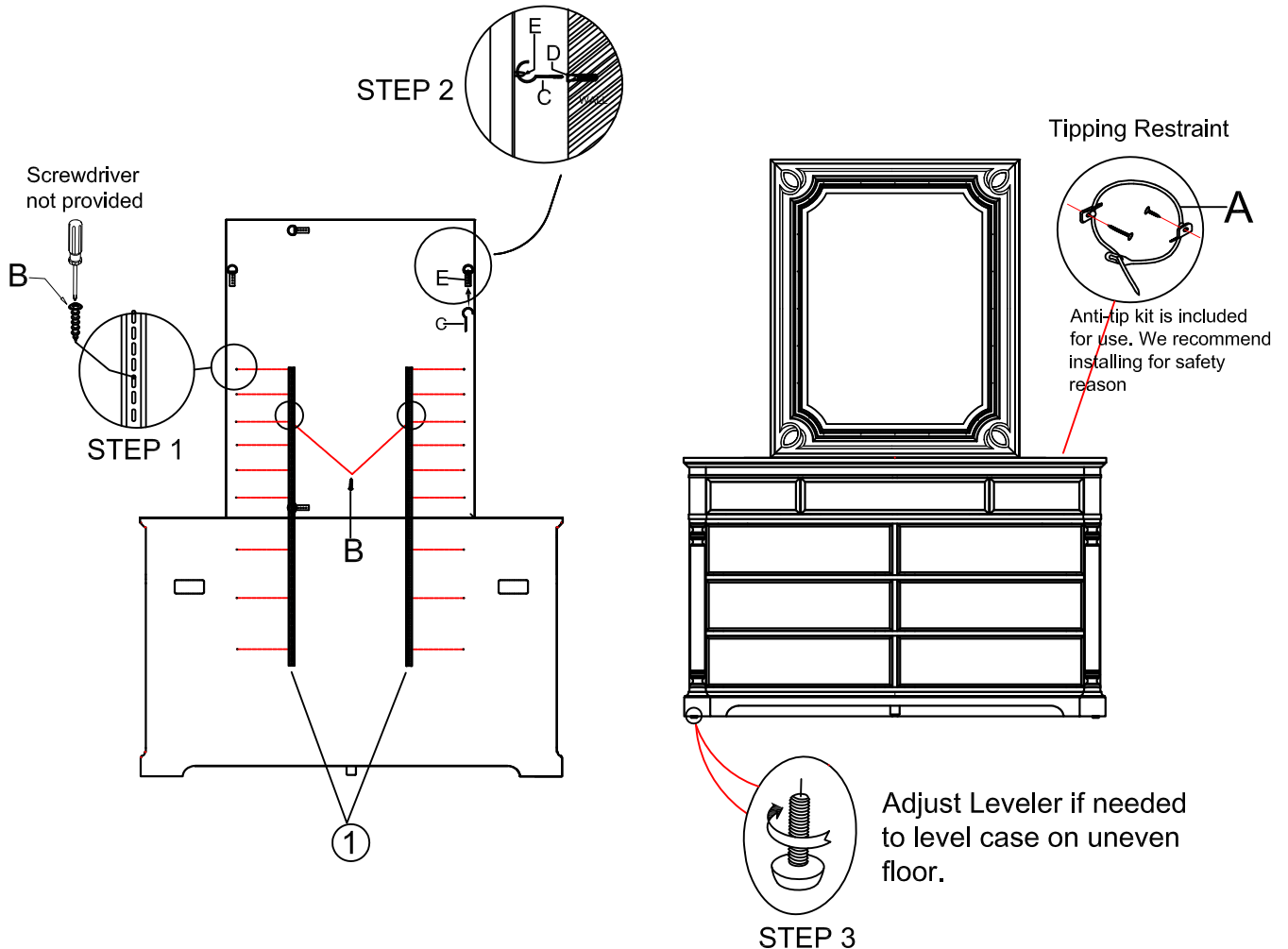
**HARDWARE PACK**

**PART LIST**

NO.	DRAWING	DESCRIPTION	SIZE	Q'TY	NO.	DRAWING	DESCRIPTION	SIZE	Q'TY
A		Anti - Tip Kit		1PC	1		Mending Plate	1220*25*14mm	2PCS
B		Screw	8mm*3/4"	18PCS					
C		Hook	4*53mm	4PCS					
D		Plastic Anchor	∅9*30mm	4PCS					

**Note: The mirror can be attached with two different ways.**

When using mirror only,  
hang the metal ring (E)  
onto the hook (C)







Note: Anti-tip kit restraint is provided. Please follow the instructions enclosed with the pack.

# ASSEMBLY INSTRUCTION


ITEM: 6750-90302-85 Nine-Drawer Dresser  
6750-90006-85 Landscape Mirror

Thank you for purchasing this quality product. Be sure to unpack carefully looking for small parts which may have come loose during shipment.  
Read all instruction and study the drawing carefully before starting the assembly process.

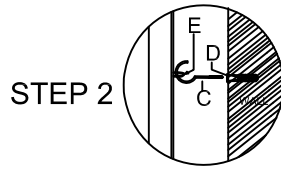
### HARDWARE PACK

NO.	DRAWING	DESCRIPTION	SIZE	Q'TY
A		Anti - Tip Kit		1PC
B		Screw	8mm*3/4"	18PCS
C		Hook	4*53mm	4PCS
D		Plastic Anchor	∅ 9*30mm	4PCS

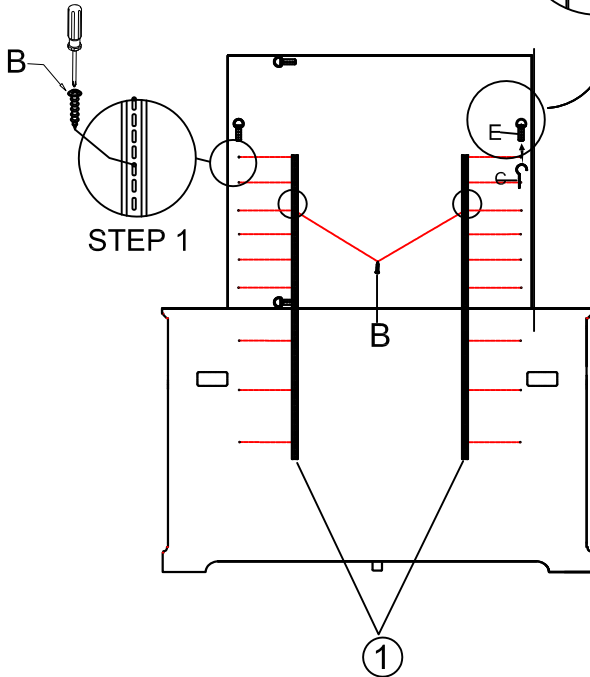
### PART LIST

NO.	DRAWING	DESCRIPTION	SIZE	Q'TY
1		Mending Plate	1220*25*14mm	2PCS

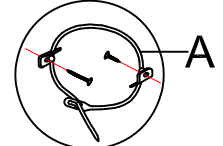
When using mirror only,  
hang the metal ring (E)  
onto the hook (C)



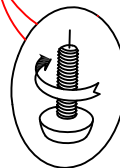
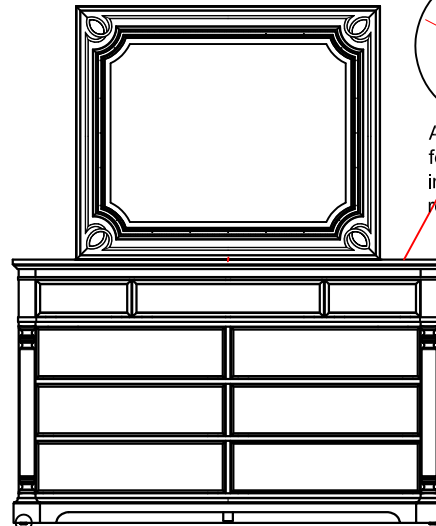
Screwdriver  
not provided



Tipping Restraint



Anti-tip kit is included  
for use. We recommend  
installing for safety  
reason



STEP 3

Adjust Leveler if needed  
to level case on uneven  
floor.





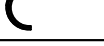
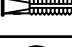

Note: Anti-tip kit restraint is provided. Please follow the instructions enclosed with the pack.

# ASSEMBLY INSTRUCTION


ITEM: 6750-90302-85 Nine-Drawer Dresser  
 6750-90007-85 Round Mirror  
 6750-90007-97 Round Mirror

Thank you for purchasing this quality product. Be sure to unpack carefully looking for small parts which may have come loose during shipment.  
 Read all instruction and study the drawing carefully before starting the assembly process.

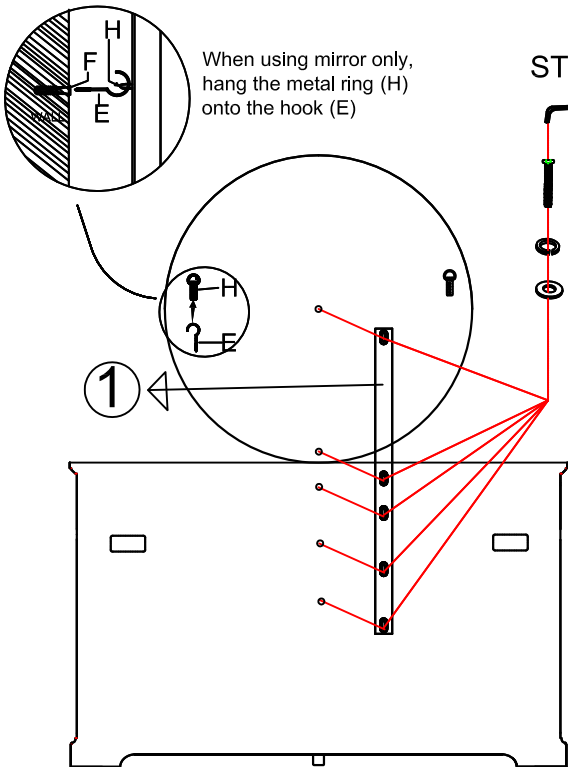
### HARDWARE PACK

NO.	DRAWING	DESCRIPTION	SIZE	Q'TY
A		Allen Wrench	69*27.2*4mm	1PC
B		Bolt	1/4"	5PCS
C		Lock Washer	1/4"	5PCS
D		Flat Washer	1/4"	5PCS
E		Hook	4*53mm	2PCS
F		Plastic Anchor	∅ 9*30mm	2PCS
G		Anti-Tip Kit		1PC

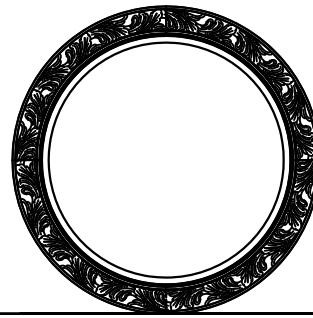
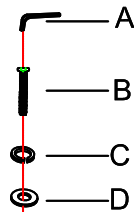
### PART LIST

NO.	DRAWING	DESCRIPTION	Q'TY
①		Wooden Support	1PC

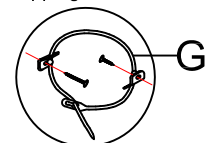
### STEP 2



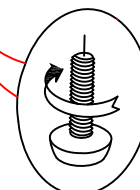
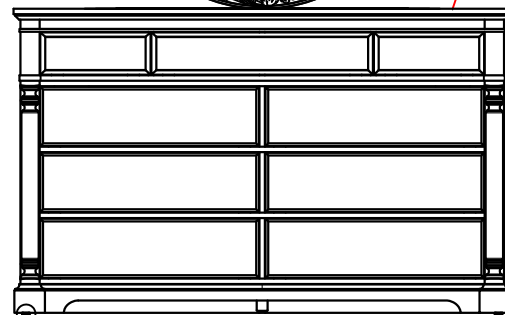
### STEP 1



### Tipping Restraint



Anti-tip kit is included for use. We recommend installing for safety reason



Adjust Leveler if needed to level case on uneven floor.

### STEP 3






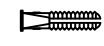

Note: Anti-tip kit restraint is provided. Please follow the instructions enclosed with the pack.

# ASSEMBLY INSTRUCTION


ITEM: 6750-90302-85 Nine-Drawer Dresser  
6750-90008-85 Landscape Mirror

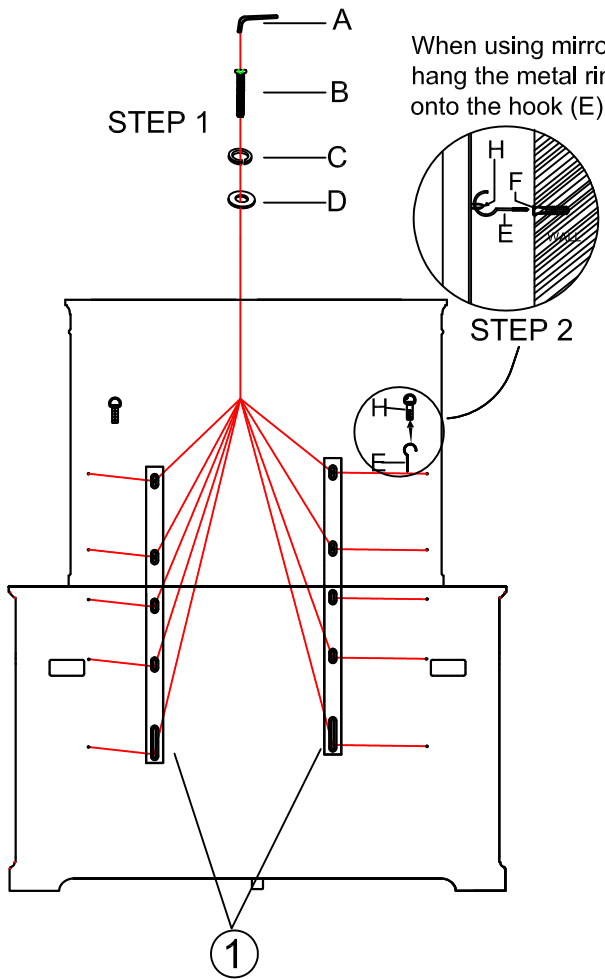
Thank you for purchasing this quality product. Be sure to unpack carefully looking for small parts which may have come loose during shipment.  
Read all instruction and study the drawing carefully before starting the assembly process.

### HARDWARE PACK

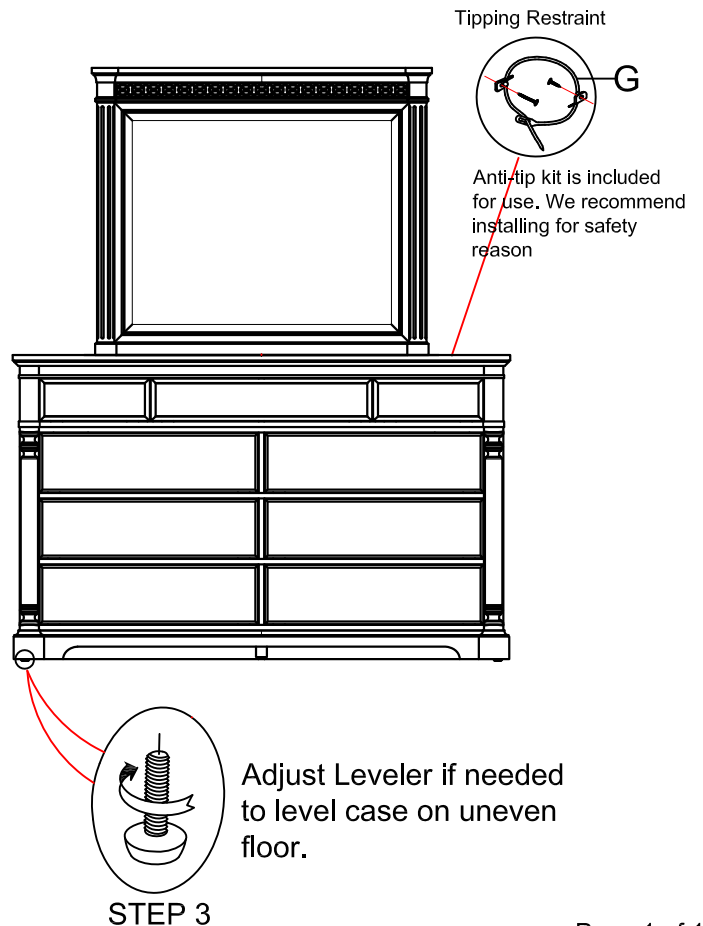
NO.	DRAWING	DESCRIPTION	SIZE	Q'TY
A		Allen Wrench	69*27.2*4mm	1PC
B		Bolt	1/4"	10PCS
C		Lock Washer	1/4"	10PCS
D		Flat Washer	1/4"	10PCS
E		Hook	4*53mm	2PCS
F		Plastic Anchor	∅ 9*30mm	2PCS
G		Anti-Tip Kit		1PC

### PART LIST

NO.	DRAWING	DESCRIPTION	Q'TY
①		Wooden Support	2PCS



When using mirror only, hang the metal ring (H) onto the hook (E)



Tipping Restraint

Anti-tip kit is included for use. We recommend installing for safety reason

Adjust Leveler if needed to level case on uneven floor.

Note: Anti-tip kit restraint is provided. Please follow the instructions enclosed with the pack.