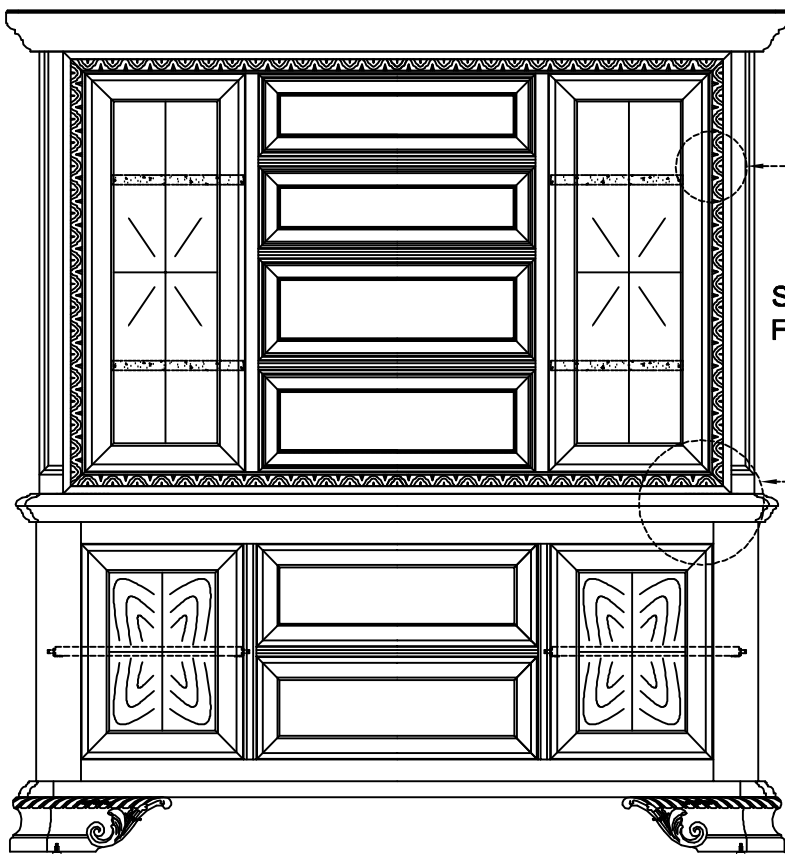


# ASSEMBLY INSTRUCTION

43154TP & 43154BS  
 MASTER CHEST TOP & MASTER CHEST BASE

Thank you for purchasing this quality product. Be sure to check all packing material carefully for small parts, which may have come loose inside the carton during shipment. Identify and count all parts and compare with the Parts List below.

## Front View Of MASTER CHEST TOP & MASTER CHEST BASE



Adjustable Leveler

Diagram A

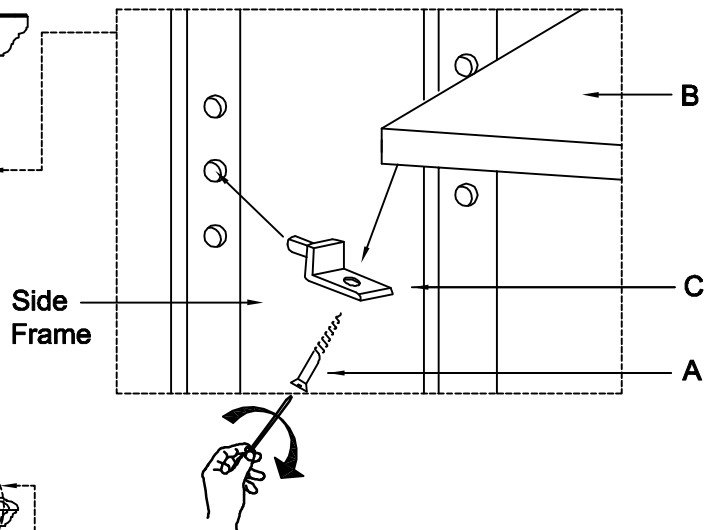
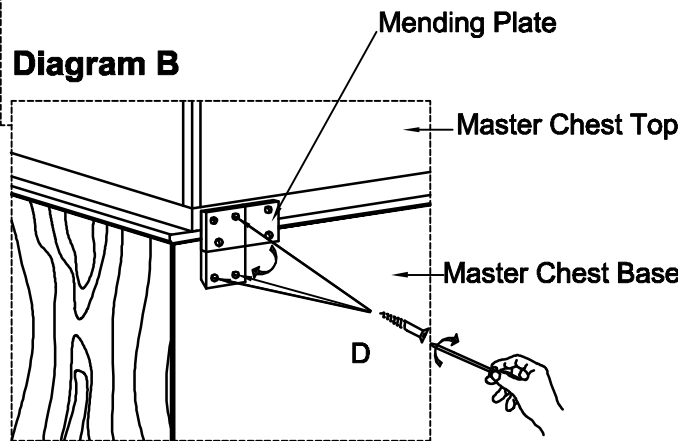

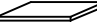




Diagram B



Back View of Mending Plate  
 Attach Master Chest Top to  
 Master Chest Base by Mending Plate.

NO.		Parts List	Q'ty(TOP)	Q'ty(BASE)
A		Screw(SHORT)	16	8
B		Adjustable Shelf	4	2
C		Adjustable Shelf Support	16	8
D		Screw(LONG)	6	

It is suggested that at least two people work together to attach the Master Chest desk to the base with two mending plates, as shown in Diagram B.