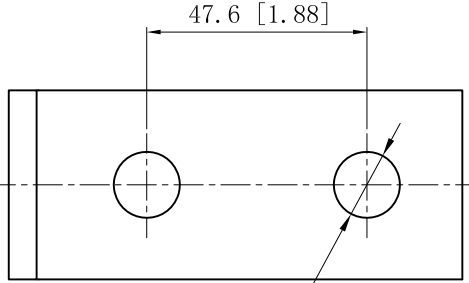
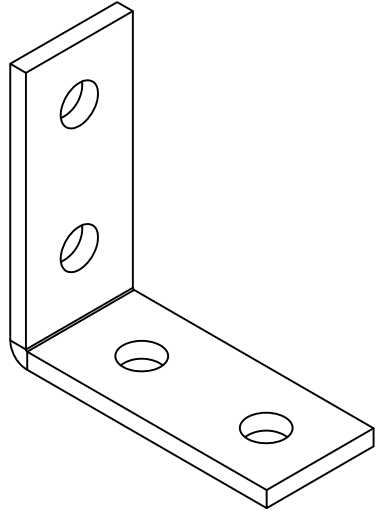
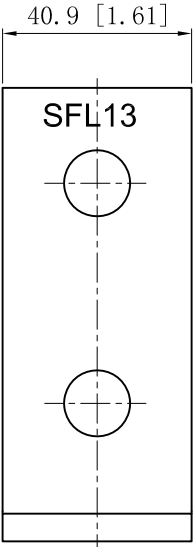
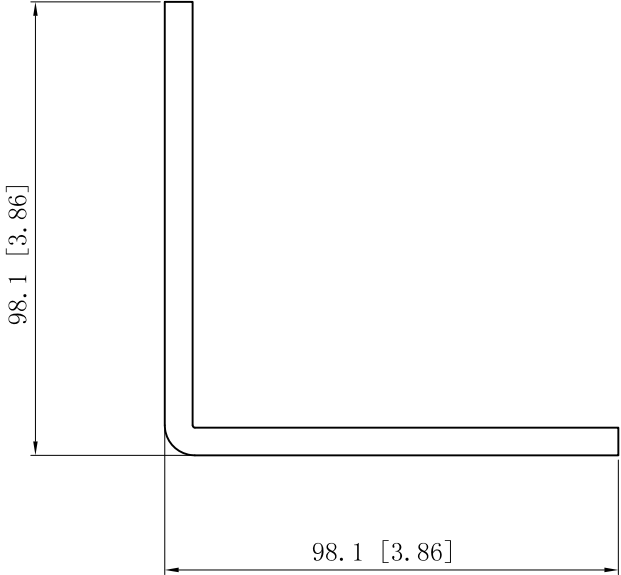


SIDES	BOTTOM
Material: Steel-0.236"- H.R.S, Zinc plated	



4-∅14.29 [∅0.563] HOLE



DESCRIPTION
TRADE REFERENCE TERMS

This data sheet is for reference only .GARVIN INDUSTRIES reserves the right to make changes to the design without prior notice.

STANDARD PACKING	<h1 style="text-align: center;">GARVIN INDUSTRIES</h1> <h2 style="text-align: center;">FOUR-HOLE CORNER ANGLE</h2>		
25 PCS			
	TITLE	DWG NO.	REV
	A4	SFL13	
	DATA SHEET		