

**AXOR Montreux
Bar Faucet, 1.5 GPM**

Finishes : **polished nickel** Part no. : **16583831**



Description

Features

- Swivel range 150°
- Aerated spray
- Single-hole installation
- Flow: 1.5 GPM (5.7 L/Min)
- Ceramic cartridge
- 3/8" connections

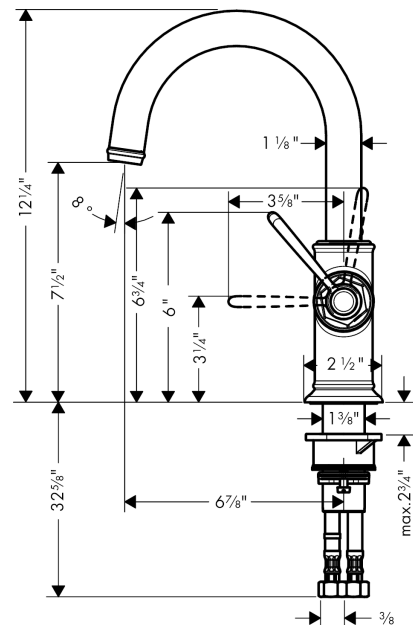
Technology



Product image



Scale drawing



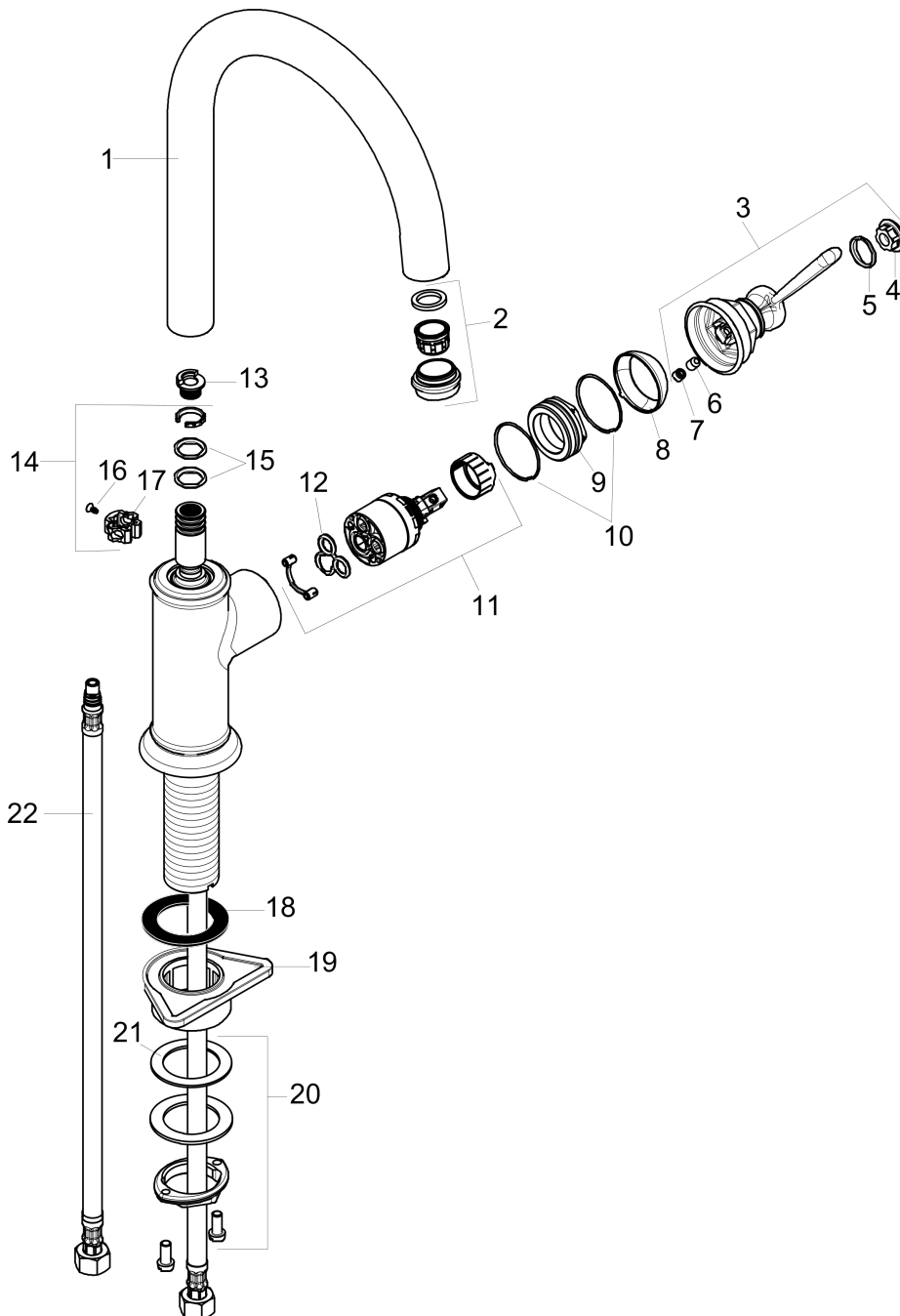
**AXOR Montreux
Bar Faucet, 1.5 GPM**

Finishes : **polished nickel** Part no. : **16583831**



Exploded drawing

Year of production: >01/18



AXOR Montreux
Bar Faucet, 1.5 GPM
 Finishes : **polished nickel** Part no. : **16583831**



Spare parts list

Year of production: >01/18

Pos.	Description	Part no.	PC	PU
1	spout cpl.	93147830	0	1
2	aerator M24x1 (5 l/min)	93008830	0	1
3	handle	92963830	0	1
4	cover cap	92964000	0	1
5	O-ring 16x2	98133000	0	1
6	hollow set screw M6x8	98444000	0	1
7	screw cover	96762000	0	1
8	flange	92965830	0	1
9	nut	92966000	0	1
10	O-ring 33x1,5	98164000	0	1
11	cartridge, assy	92730000	0	1
12	seal	95008000	0	1
13	set of locating rings (110° / 150°)	98486000	0	1
14	sealing set	92646000	0	1
15	O-Ring 14x2,5	98189000	0	1
16	screw	97662000	0	1
17	axialring	97558000	0	1
18	seal	92582000	0	1
19	support	97523000	0	1
20	fixing set (Ø 34)	95049000	0	1
21	lever collar	97548000	0	1
22	connection hose 35½" M8x0,75 3/8"	96316001	0	1