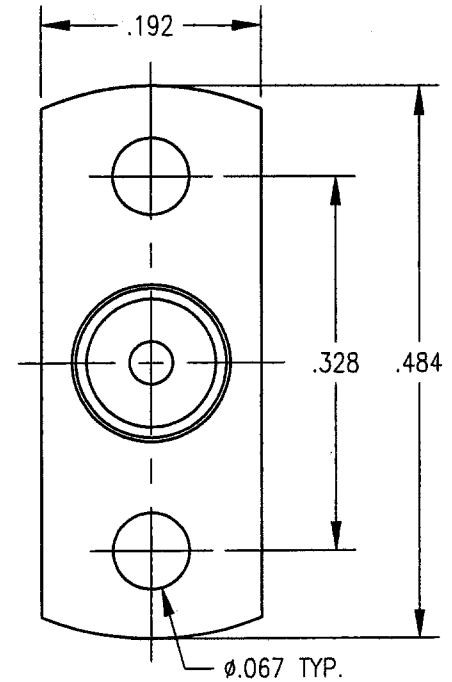
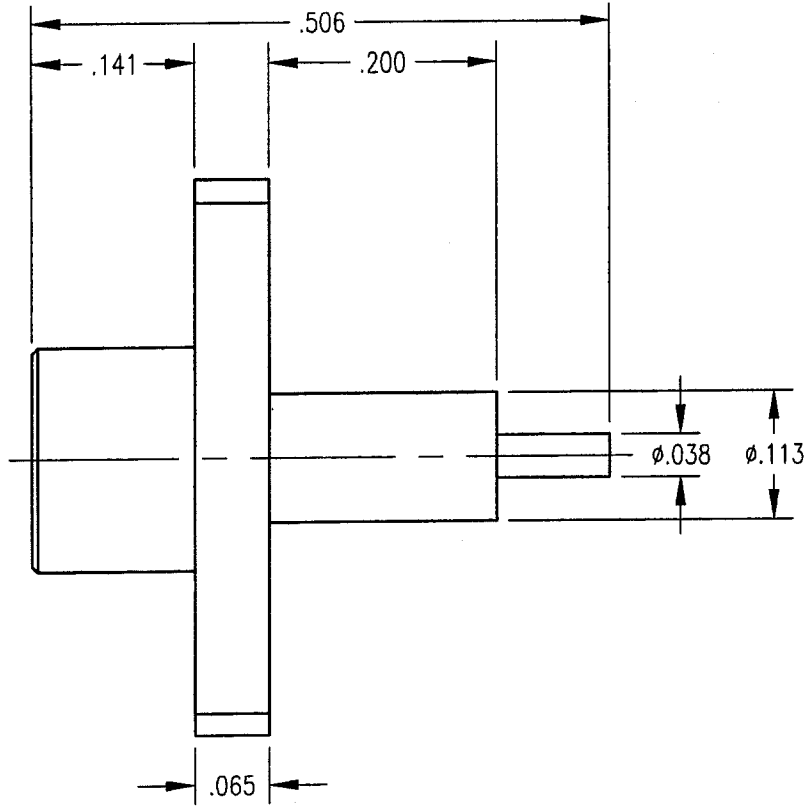


DWG. NO. 451-066-0041H

REV	DESCRIPTION	BY	APPRO
A	RELEASED PER NPR 1641	KJT 1/17/00	<i>[Signature]</i>



NOTES:

- MATERIALS:
 BODY: BRASS PER ASTM B16
 CONTACT: BERYLLIUM COPPER PER ASTM B196
 INSULATOR: TEFLON PER ASMT D1710
- FINISH:
 BODY: .000015 MIN. GOLD PER MIL-G-45204 OVER
 .000050 MIN. NICKEL PER QQ-N-290
 CONTACT: .000030 MIN. GOLD ERP MIL-G-45204 OVER
 .000050 MIN. NICKEL PER QQ-N-290

PER ASME Y14.5M-1994 UNLESS OTHERWISE SPECIFIED: DIMENSIONS ARE IN INCHES OR INCHES/MM TOLERANCES: MM DECIMALS .XX ± .01/0.254 .XXX ± .005/0.127 ANGLES ± 2° SCALE: 6:1		Litton Winchester Electronics/RETCONN 400 Park Road Watertown, Connecticut 06795	
CUSTOMER DRAWING		TITLE • MCX FLANGE MOUNT JACK	
DRAWN KJT	DATE 1/17/00	CHECKED JH 1-18-00	DATE 1/18/00
APPROVED <i>[Signature]</i>	DATE 1/18/00	APPROVED <i>[Signature]</i>	DATE 1/18/00
A 451-066-0041H		SHT. 1	OF 1 REV. A