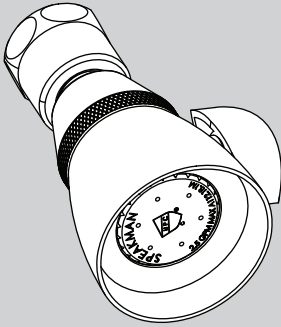


INSTRUCTIONS FOR MODELS

S-2292



NEED HELP?

For additional assistance or service please contact:

SPEAKMAN® Company

800-537-2107

customerservice@speakman.com

www.speakman.com

92-S-2292-01

TOOLS AND SUPPLIES

Thread Seal
Tape
(not included)



Adjustable
Wrench



MAINTENANCE

Periodic cleaning using a mild soap and warm water will help keep your Showerhead's appearance in its original condition.

For best results, dry immediately with a soft, clean cloth. **DO NOT USE** harsh and/or abrasive cleaners.

To help restore the finish, occasionally apply a non-abrasive wax to your showerhead body (follow manufacturers' instructions).

On **CHROME PLATED SHOWER HEADS**, a two (2) part white vinegar, one (1) part water solution can be used to break down excessive mineral deposits on the sprays. Let the showerhead soak in the solution for about ½ hour then rinse thoroughly. Brush off any remaining mineral deposits if necessary.

DO NOT USE the vinegar/water treatment on any finish other than Chrome.

To reduce mineral build-up, turn the handle to **FLOOD** position to let the water drain out after every use.

WARRANTY

Warranty information can be found at:
www.speakman.com



IMPORTANT

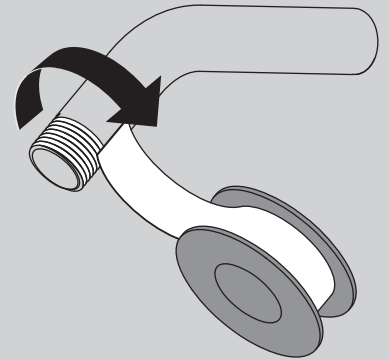


Be sure to read instructions thoroughly before beginning installation. Do not overtighten any connections or damage may occur. This shower head has an optimal operating range of 20-80 psi.

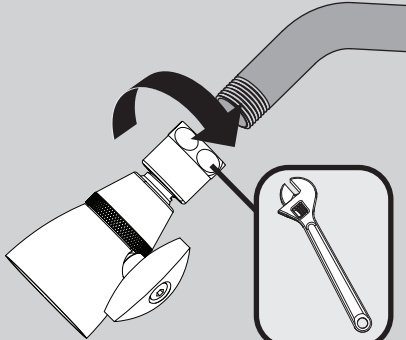
SAFETY TIPS

Cover your drain to prevent loss of parts.

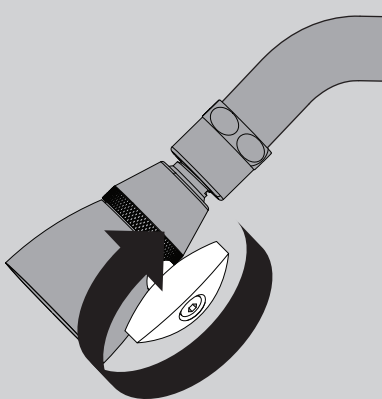
1 Apply Thread Seal Tape to the outlet side of shower arm in a clockwise direction.
NOTE: Thread Seal Tape not included.



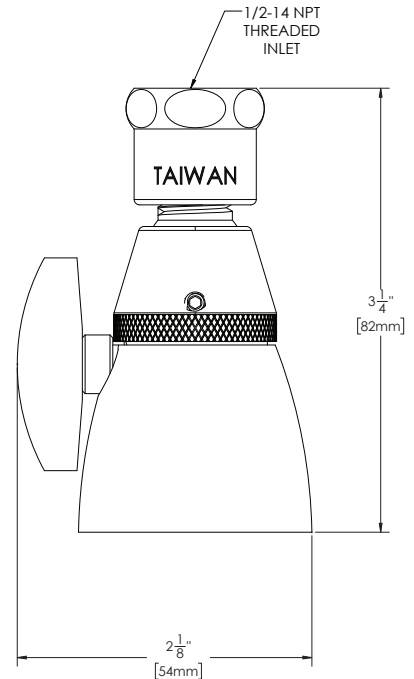
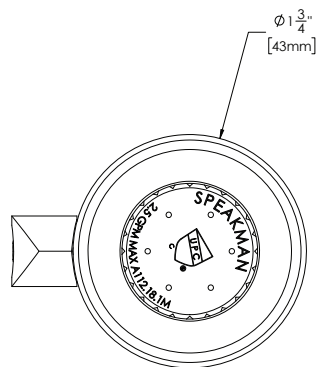
2 Verify that Rubber Washer is in place within the Shower Head inlet. Thread Shower Head onto shower arm by turning it in a clockwise direction. Tighten with adjustable wrench. Turn water supply on and check for leaks.



3 Adjust spray pattern by rotating side handle.



ROUGH IN DIMENSIONS



Model: S-2292

Max. Flow Rate: 2.5 gpm (9.5L/min)

Min. Flow Rate: 2.0 gpm (7.6 L/min) @ 45psi

FOR USE WITH AUTOMATIC COMPENSATING VALVES RATED AT 7.6 L/MIN (2.0 GPM) OR LESS.

Specifications:

Inlet: 1/2" NPT FEMALE