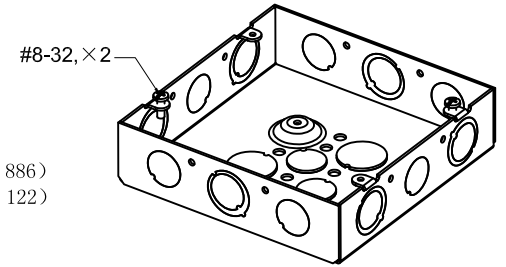
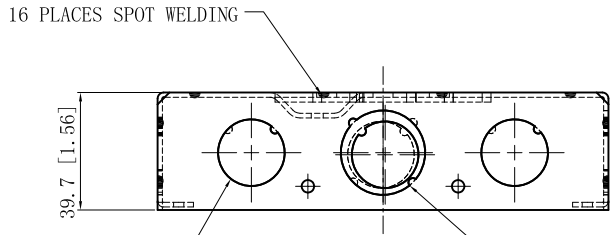
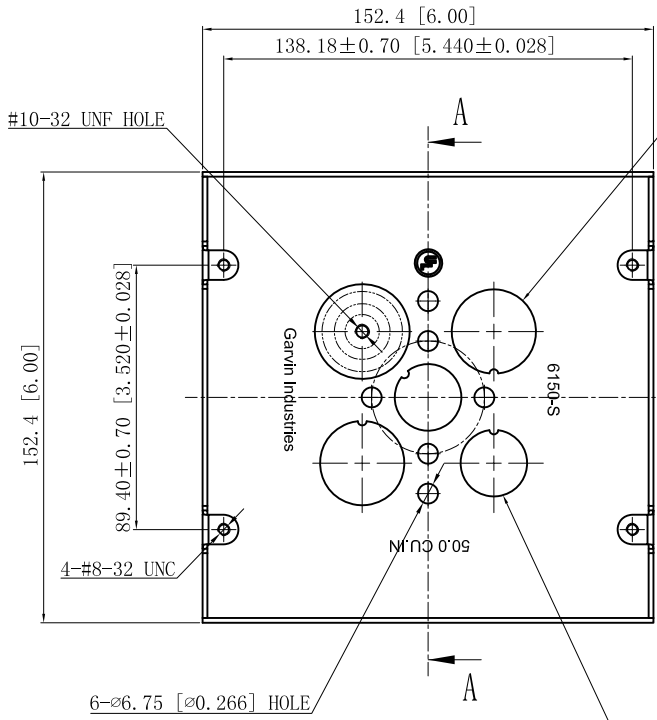


SIDES	BOTTOM
6 1/2" KNOCKOUTS	2 1/2" KNOCKOUTS
6 1/2"-3/4" KNOCKOUTS	2 3/4" KNOCKOUTS
	1 Ground hump
2 PCS 8-32x1/4 Screws Installed	
Material: Steel-0.0625"-G60 Galvanized	



4 1/2" KNOCKOUT $\phi = 22.50$ ($\phi = 0.886$) 2 1/2-3/4" MOON KNOCKOUTS $\phi = 22.50$ ($\phi = 0.886$)
 $\phi = 28.50$ ($\phi = 1.122$)



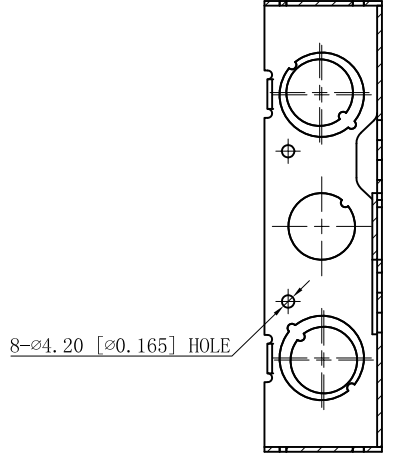
2 3/4" MOON KNOCKOUTS $\phi = 28.50$ ($\phi = 1.122$)

WELDING STYLE DETAIL VIEW B

2 1/2" KNOCKOUTS $\phi = 22.50$ [$\phi = 0.886$]

4 1/2-3/4" MOON KNOCKOUTS $\phi = 22.50$ ($\phi = 0.886$)
 $\phi = 28.50$ ($\phi = 1.122$)

2 1/2" KNOCKOUTS $\phi = 22.50$ [$\phi = 0.886$]



CUTAWAY VIEW A-A

DESCRIPTION
TRADE REFERENCE TERMS

STANDARD PACKING
10 PCS

GARVIN INDUSTRIES		
TITLE 6" SQUARE BOXES 1-1/2" DEEP		
SIZE A4	DWG NO. 6150-S	REV B
DATA SHEET		
www.garvinindustries.com		