

Chelsea™ Single Lever Faucet

FEATURES:

- 1.2 GPM (4.5 L/min) flow rate
- Brass construction
- Lever handle
- Ceramic cartridge
- Inlet supply lines not included, accepts 1/2" IPS to 3/8" compression supply lines or supplied coupling nuts with 3/8" O.D. ball nose risers
- Pop-up drain with lift rod
- Includes optional deck plate
- Corrosion resistant finishes
- Coordinates with Chelsea Collection

STOCK FINISHES:



PC BN

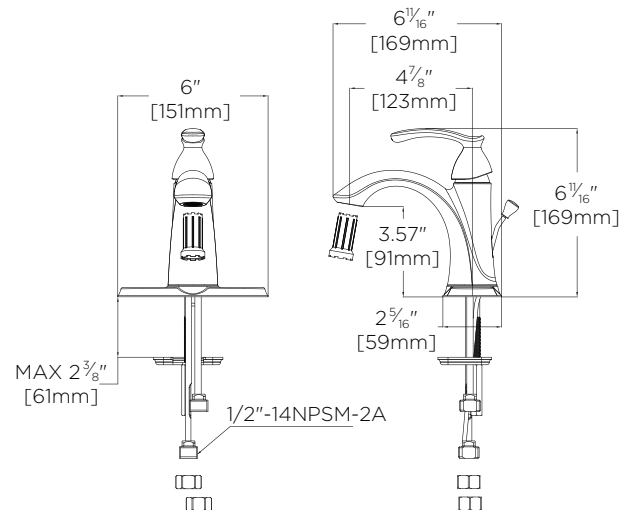
STANDARDS:

- ASME A112.18.1/CSA B125.1 certified
- NSF/ANSI 61 certified
- NSF 372 certified
- WaterSense certified
- ADA compliant

WARRANTY:

Visit www.speakman.com for full product warranty information

- Limited Lifetime Warranty (consumer)
- 5 Year Limited Warranty (commercial)



1. All dimensions are in inches (millimeters) unless otherwise specified and are subject to change without notice.

Architect/Engineer Approval Space:

P: 800-537-2107
 F: 800-977-2747
 W: WWW.SPEAKMAN.COM
 R: 02-NOVEMBER 2019