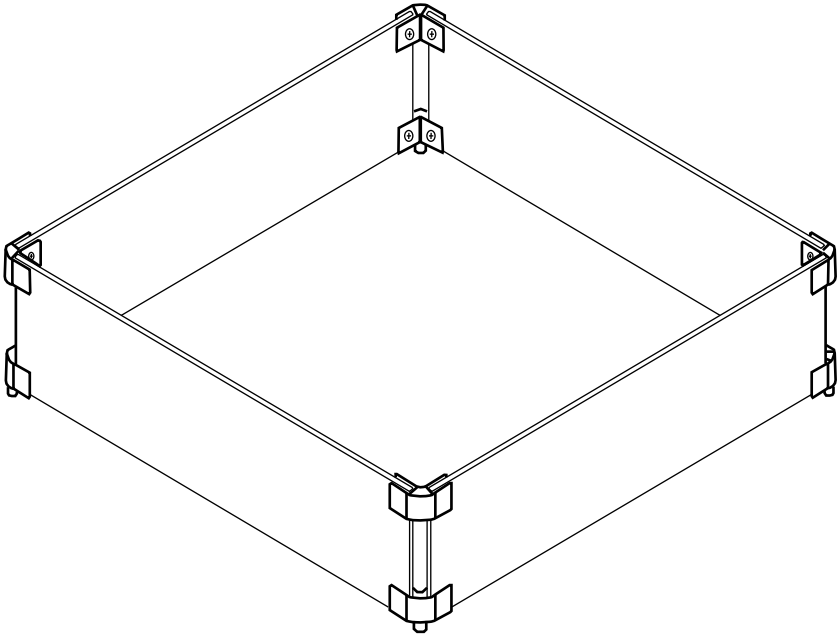


INSTRUCTION MANUAL



Square Tempered Glass Fire Flame Guard
SKU: OH4001

V1.0

! NOTICE

Do not overtighten screws. (Insert all screws before tightening screws.)

- Please do not exceed the weight limitations of this item.
- Do not stand on or use any part of this item as a step ladder.
- Firmly secure all bolts, screws and nuts before use.
- Reconfirm that all bolts, screws, and nuts are secure every 90 days.
- Be aware that some parts are heavy and have sharp edges.

TOOLS REQUIRED



SCREW DRIVER
(PROVIDED)



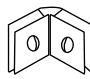
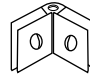


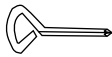


1 PERSON
ASSEMBLY

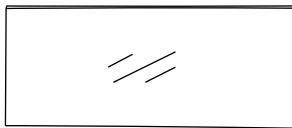


UP TO 20 MIN.
ASSEMBLY

HARDWARE

1 M10 BOLT  16 PCS	2 SILICONE HEAD  16 PCS	3 GLASS TOP HOLDER  4 PCS	4 BOTTOM HOLDER  4 PCS	5 M4x12MM BOLT  4 PCS
6 ALLOY FEET  4 PCS	7 SCREW DRIVER  1 PC			

PARTS

A GLASS PANEL  4 PCS

PRODUCT ASSEMBLY

1

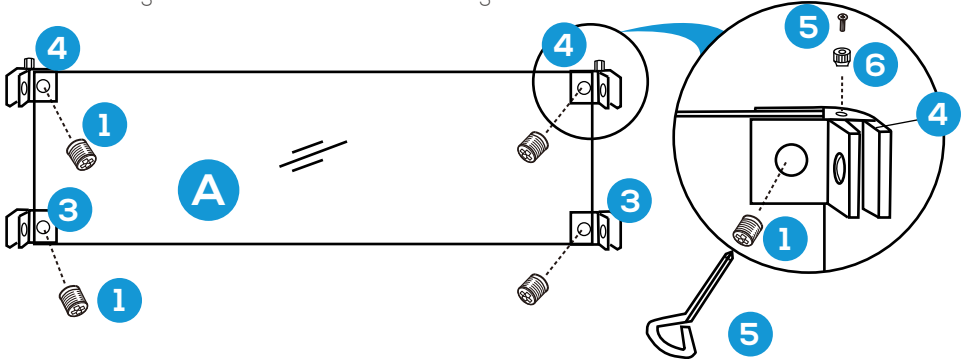
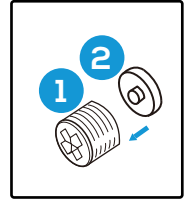
Place the Glass Panels on a clean, soft surface like a blanket or carpet before assembly.

⚠ ATTENTION: ATTACH THE SILICONE HEAD (HARDWARE 2) TO ALL THE BOLTS (HARDWARE 1) BEFORE ASSEMBLY.

Place 2 PCS of hardware 3 Glass Top Holders and 2 PCS of hardware 4 Glass Bottom Holder to part A Glass Panel as below and tighten loosely with hardware 5 Screwdriver.

Attach hardware 6 Alloy feet to hardware 4 Glass Bottom holder by hardware 5 Bolts before assembly.

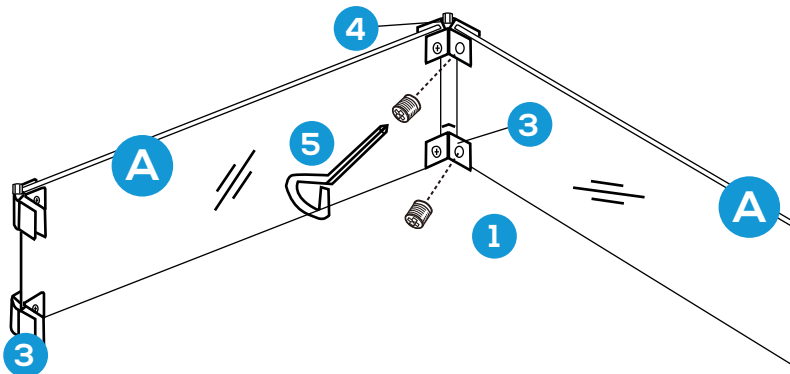
Do not tighten screws too much at this stage.



2

Place another Glass Panel carefully into hardware 3 Glass Top Holder and hardware 4 Bottom Holder, tighten loosely by 2 PCS of hardware 1 Bolt with hardware 5 Screwdriver.

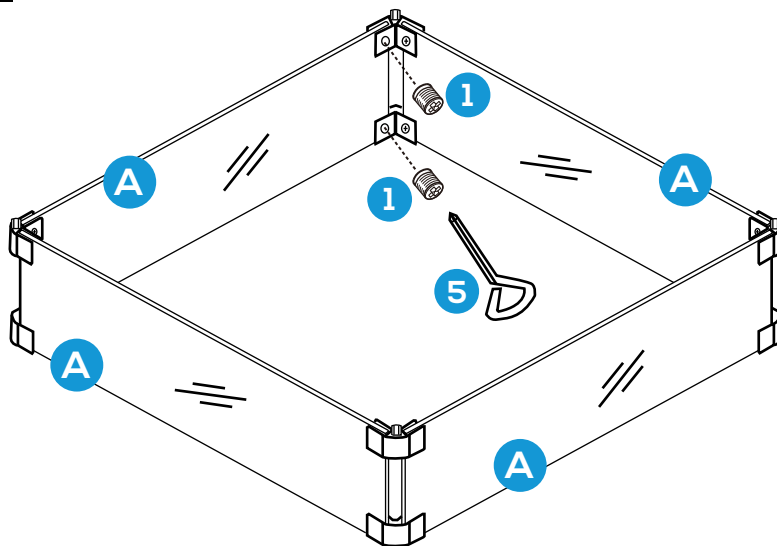
Do the same to assemble the other 2 PCS of part A Glass Panels together.



PRODUCT ASSEMBLY

3

Assemble 4 PCS of part A Glass Panels together by 4 PCS of hardware 1 Bolts and tighten with hardware 5 Screwdriver.



4

Tighten all screws again and turn the assembled product upside down to finish the assembly.

