

NEVIS WIDE DRESSER MIRROR

ASSEMBLY INSTRUCTIONS

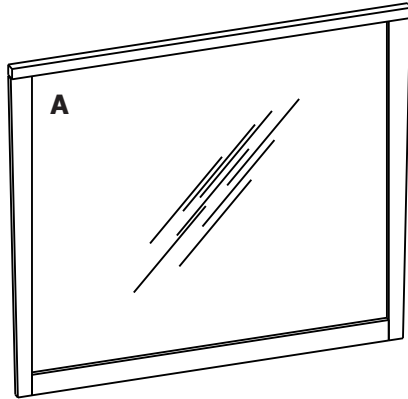


PARTS AND FITTING PACKAGING DETAIL

BOX #1

WIDE DRESSER MIRROR

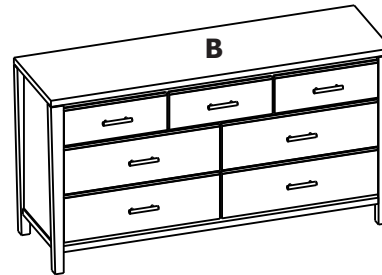
A. WIDE DRESSER MIRROR 1 PC



BOX #2

7-DRAWER DRESSER *

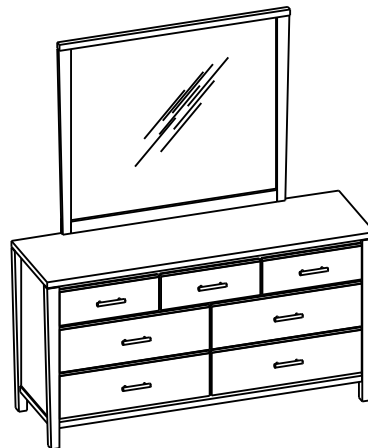
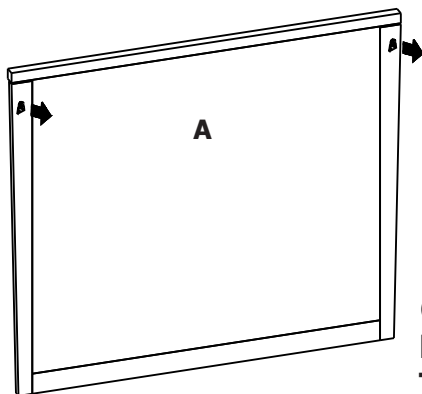
B. DRESSER 7 DRAWER 1 PC
C. DRESSER MIRROR SUPPORT 2 PCS
HARDWARE SET



*SOLD SEPARATELY

OPTION 1 HANGING WIDE DRESSER MIRROR ON A WALL

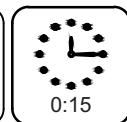
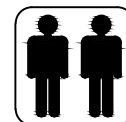
HANG ON A WALL USING THE PRE-INSTALLED
MOUNTING BRACKETS ON THE BACK OF MIRROR.



OPTION 2 MOUNTING WIDE DRESSER MIRROR TO DRESSER

HARDWARE PACKED IN BOX #2

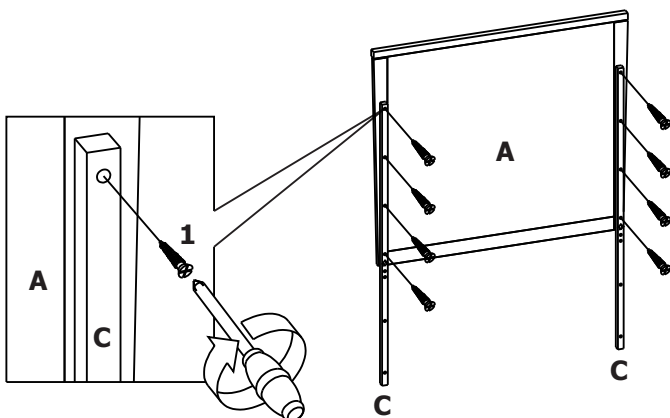
1	WOOD SCREWS Ø8X38MM	16 PCS
---	------------------------	-----------



NOT PROVIDED

STEP 1 :

ATTACH BOTH MIRROR SUPPORTS (C) TO BACK OF
MIRROR (A) USING THE PROVIDED PILOT HOLES
AS GUIDES WITH WOOD SCREWS (1).
TIGHTEN SCREWS USING A PHILLIPS HEAD
SCREWDRIVER.



STEP 2 :

FOLLOW THE ILLUSTRATION BELOW TO ATTACH MIRROR (A)
TO DRESSER (B) USING WOOD SCREWS (1).
USE PILOT HOLES AS REFERENCE.
TIGHTEN SCREWS USING A PHILLIPS HEAD SCREWDRIVER.

