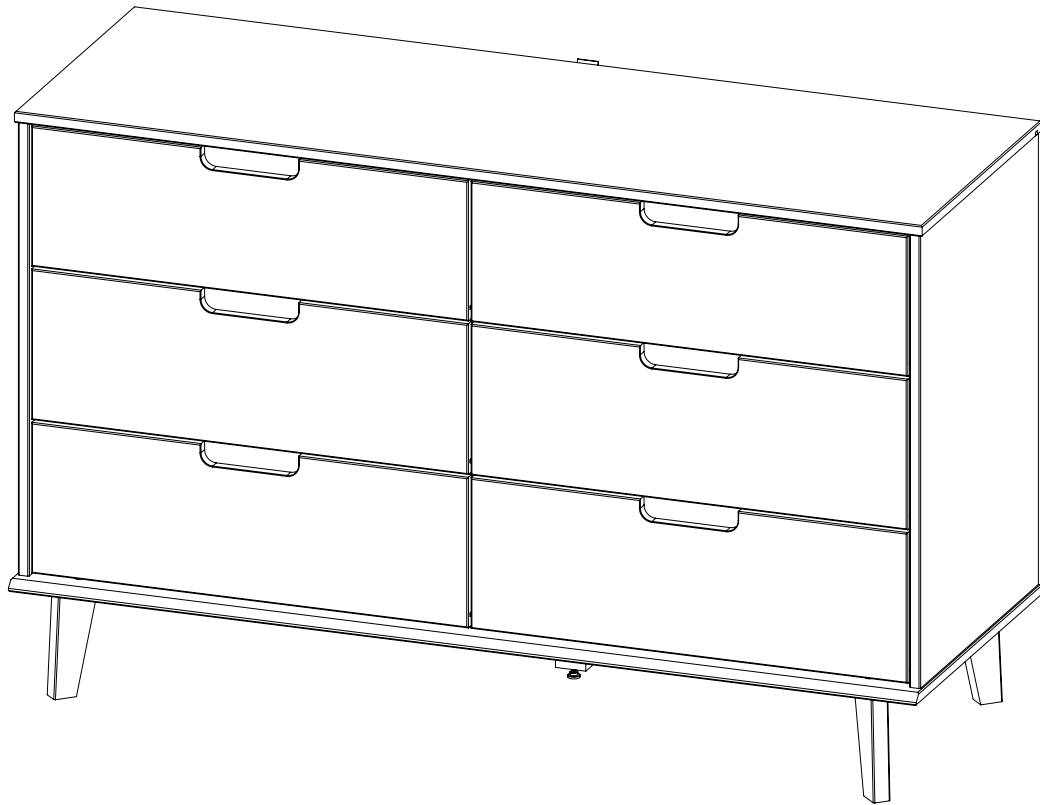


WALKER EDISON
TM

6 Drawer Solid Wood Dresser with Cut-Out Handles

SKU# WMSLN026D4



For Residential Use Only

Please visit our website for the most current instructions, assembly tips, report damage, or request parts. www.walkeredison.com

WE Time to get started

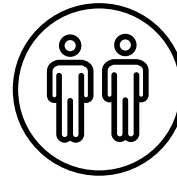
Set up a clean and soft workplace to get started and avoid damage during the assembly. It also helps to double-check you've got all the pieces and parts before diving in to assembly.

Estimated time for assembly



People recommended for assembly

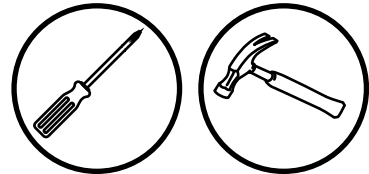
Make it a team effort! Grab a friend for quicker, easier assembly.



2 People Build

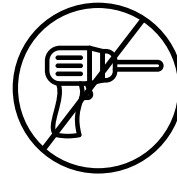
Tools Needed

Grab a Phillips head screwdriver to conquer this assembly. We will also need a hammer to help.



Use power tools with caution

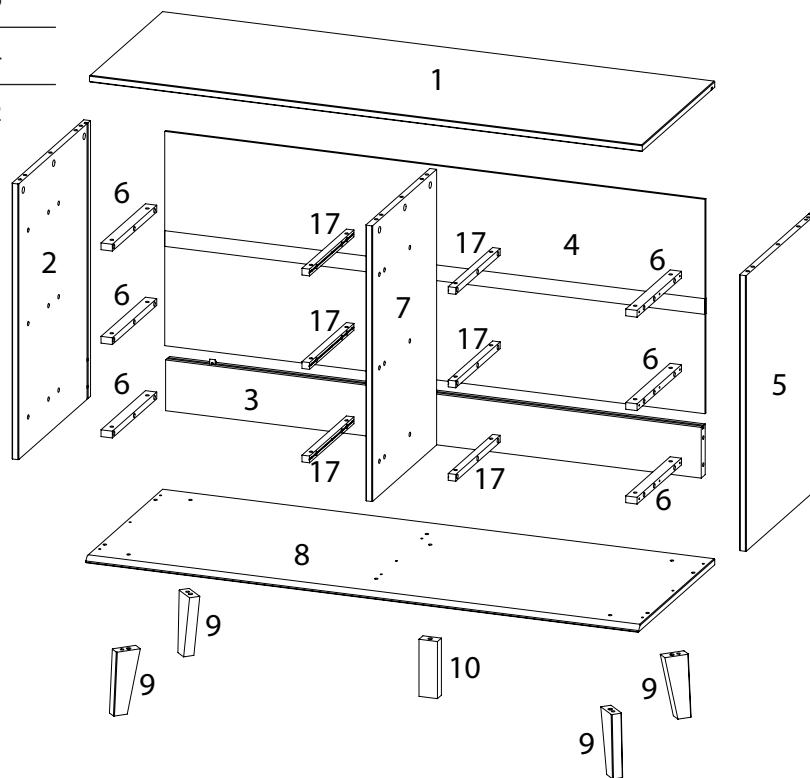
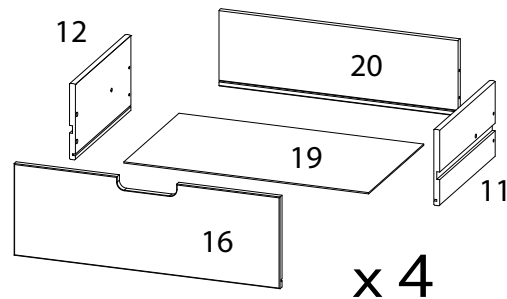
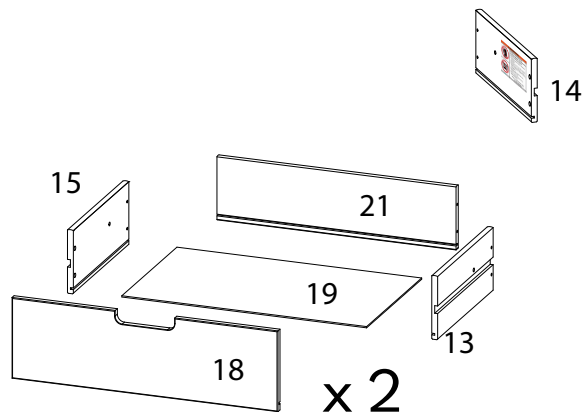
You can cause cracking or damage to the material and easily strip the hardware. If you choose to use a power tool, your product will no longer be covered under Walker Edison's warranty.



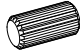
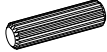
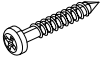
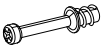



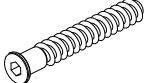




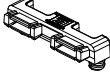


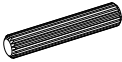

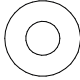
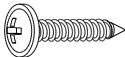

Scan to get assembly tips and help!

WE Parts List

Part Number	Description	Quantity
1	Top panel	1
2	Left side panel	1
3	Back rail	1
4	Back panel	1
5	Right side panel	1
6	Wood slider	6
7	Division	1
8	Bottom panel	1
9	Foot	4
10	Center foot	1
11	Right drawer side	4
12	Left drawer side	4
13	Small right drawer side	1
14	Right drawer side with warning	1
15	Small left drawer side	2
16	Drawer front	4
17	Small wood slider	6
18	Small drawer front	2
19	Drawer bottom	6
20	Drawer back	4
21	Small drawer back	2



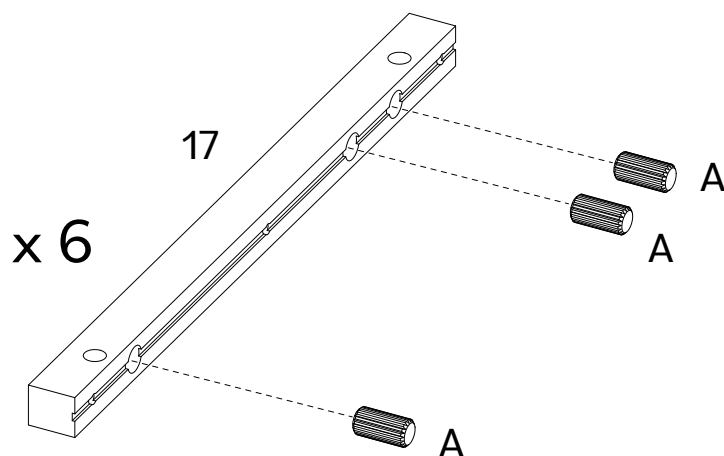
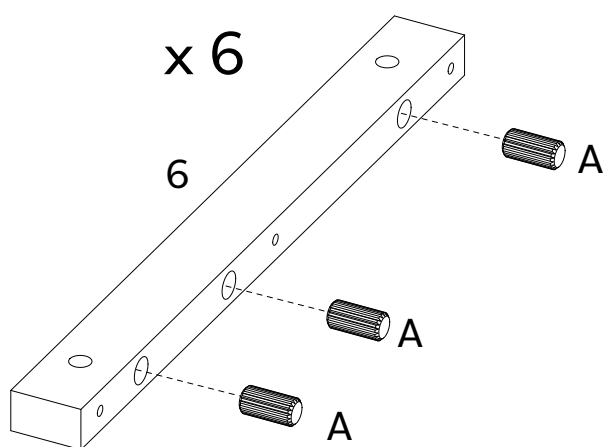
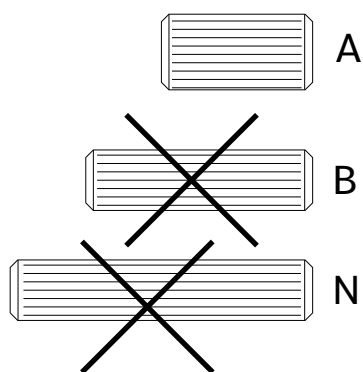
WE Hardware List

Part	Size	Name	Quantity
A 	10x20mm	Wooden dowel	36
B 	8x30mm	Wooden dowel	32
C 	4x25mm	Screw	36
D 	8x30mm	Cam bolt	9
E 	15x10mm	Cam lock	9
F 	1/4x15mm	Plastic bush	1
G 	17x25mm	Leveling foot	1
H 	7x60mm	Screw	5
I 		Hex key	1
J 	4x40mm	Screw	10
K 	14x14mm	Support	18
L 	4x16mm	Screw	18
M 		Dovetail	12
N 		Dovetail lock	24
O 		Plastic screw	24
P 	8x40mm	Wooden dowel	12
Q 		Wall anchor	1
R 		Washer	2
S 	4x16mm	Screw	1
T 	8x40mm	Plastic bush	1

*The hardware quantities listed above are required for proper assembly.
Extra hardware pieces may be included.*

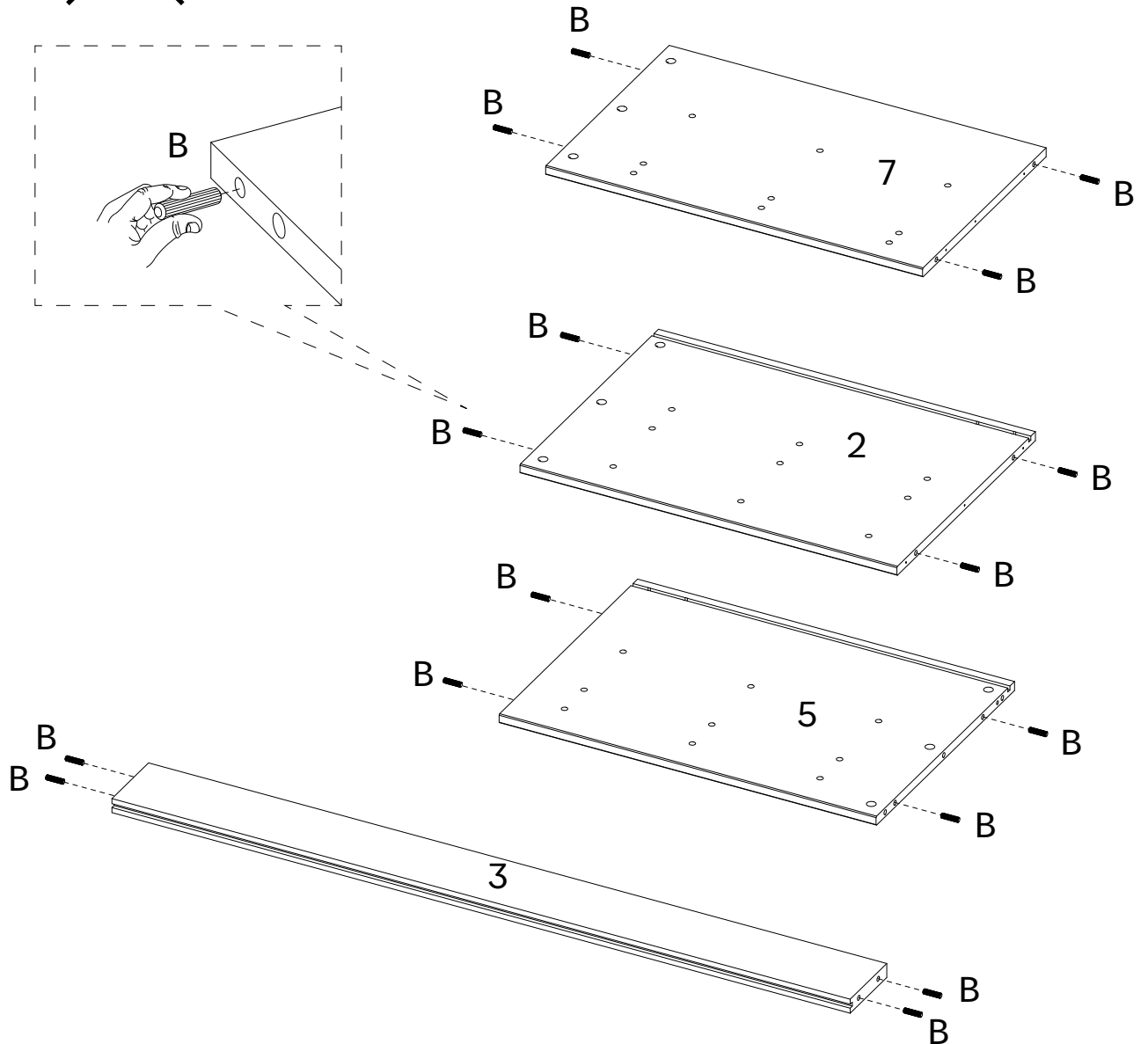
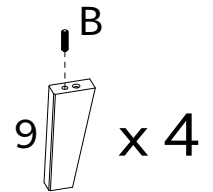
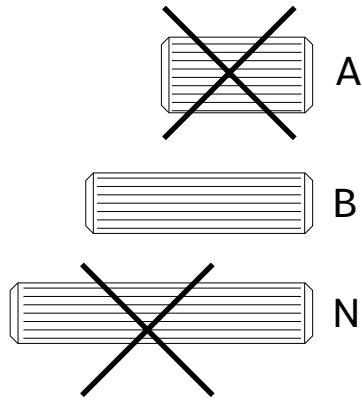
Step 1

Let's get started, shall we? Start by inserting all Wooden dowels (A) 20mm into the Wood sliders (6) and Small wood sliders (17).



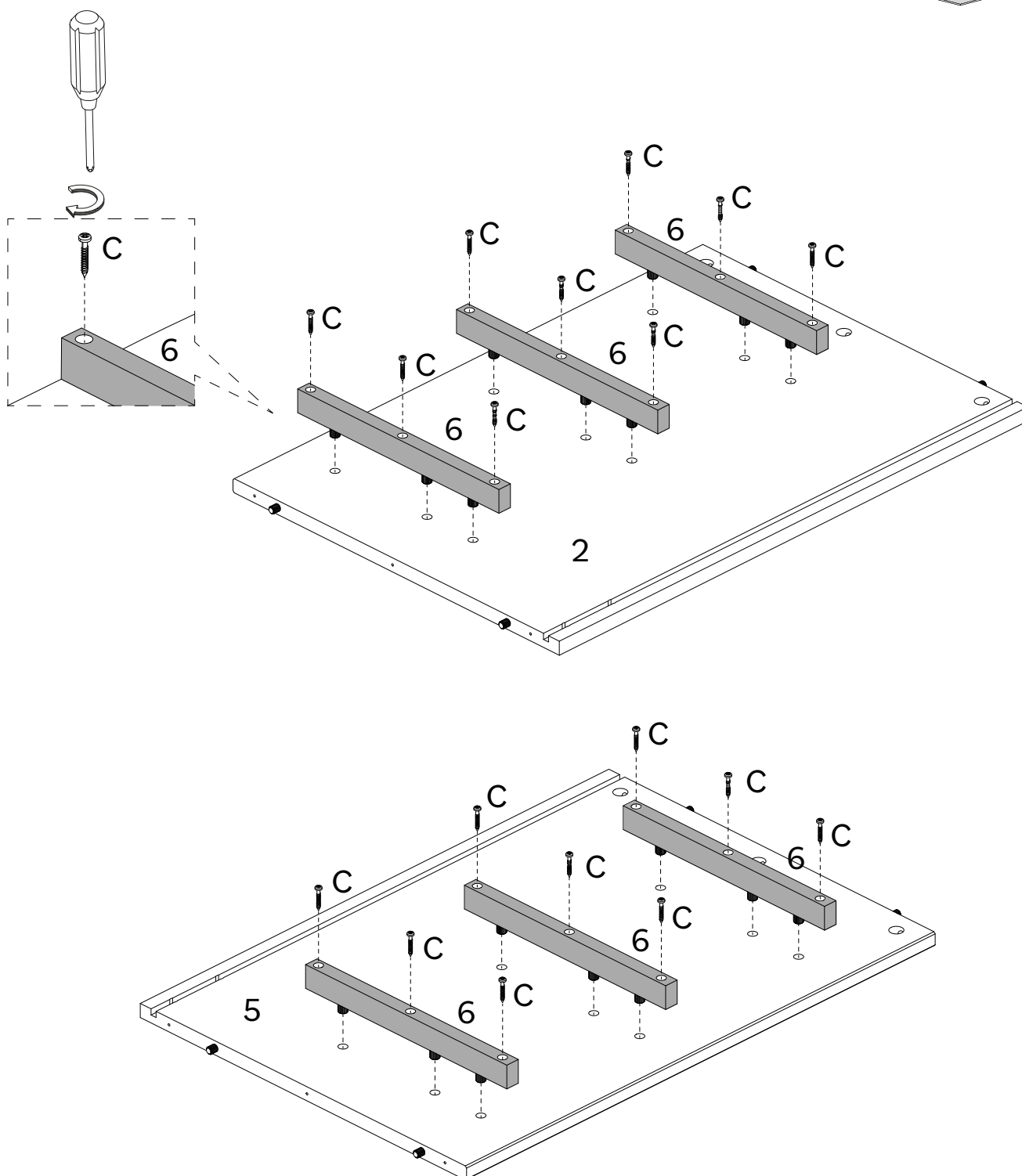
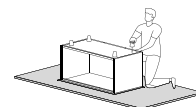
Step 2

Then insert 20 Wooden dowels (B) 30mm into the Left side panel (2), Back rail (3), Right side panel (5), Division (7) and Foots (9).



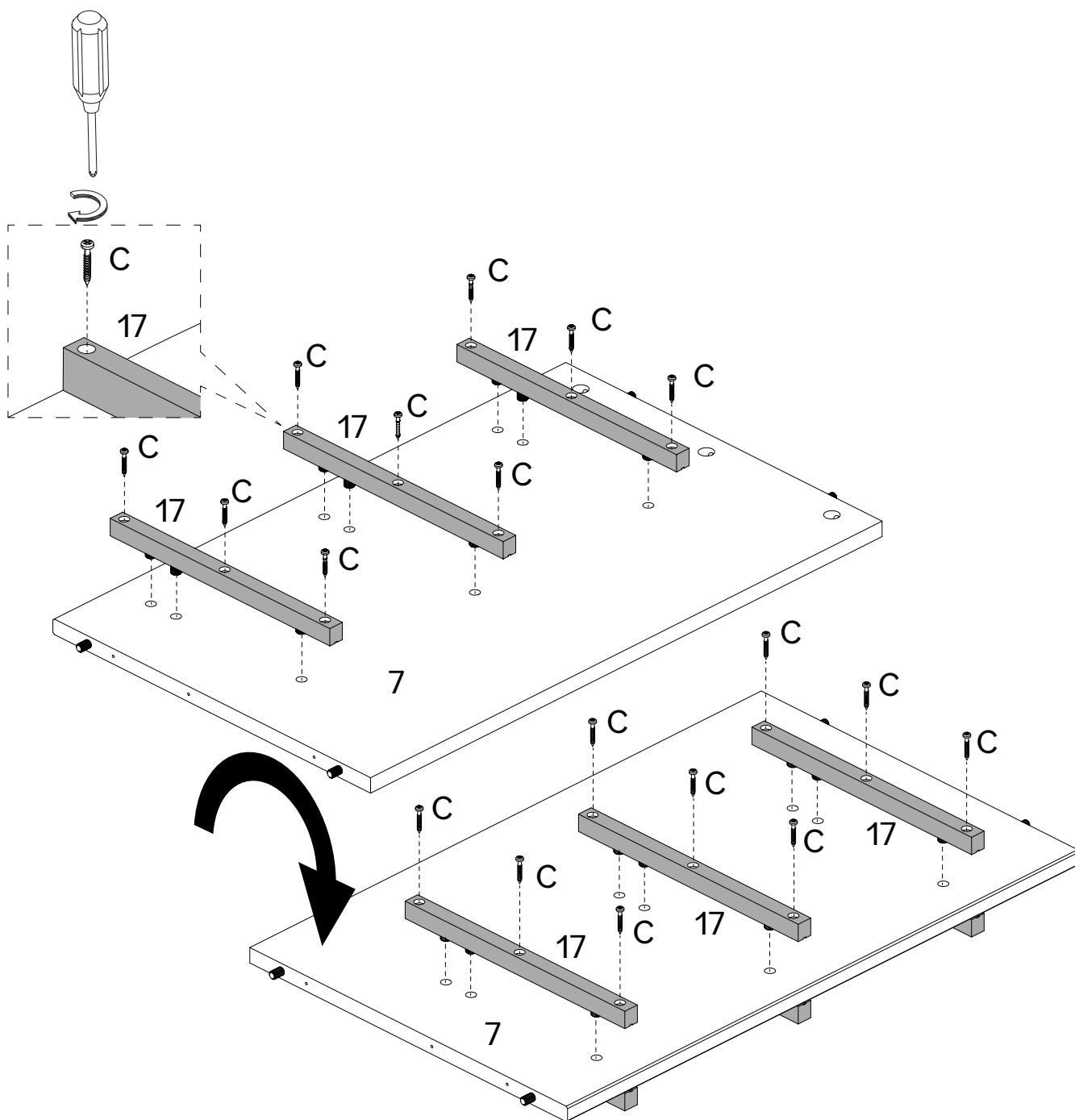
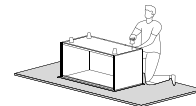
Step 3

Now we will fix all Wood sliders (6) on the Left side panel (2) and Right side panel (5) with 18 Screws (C) 25mm and Phillips head screwdriver.



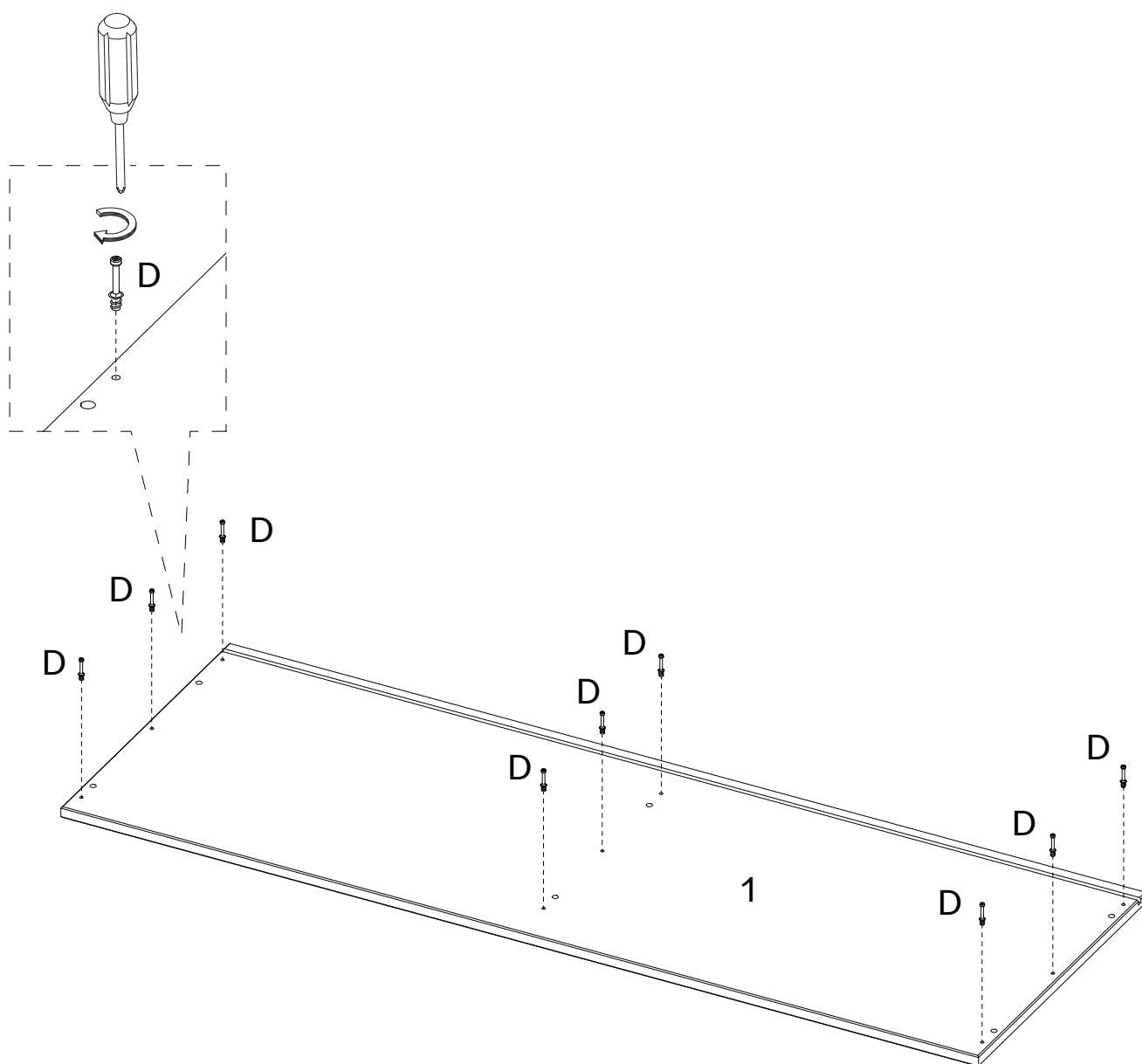
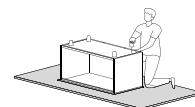
Step 4

We will also assemble the all Small wood sliders (17) on both sides of the Division (7) with 18 Screws (C) 25mm and Phillips head screwdriver.



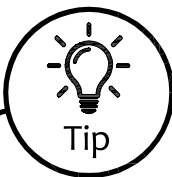
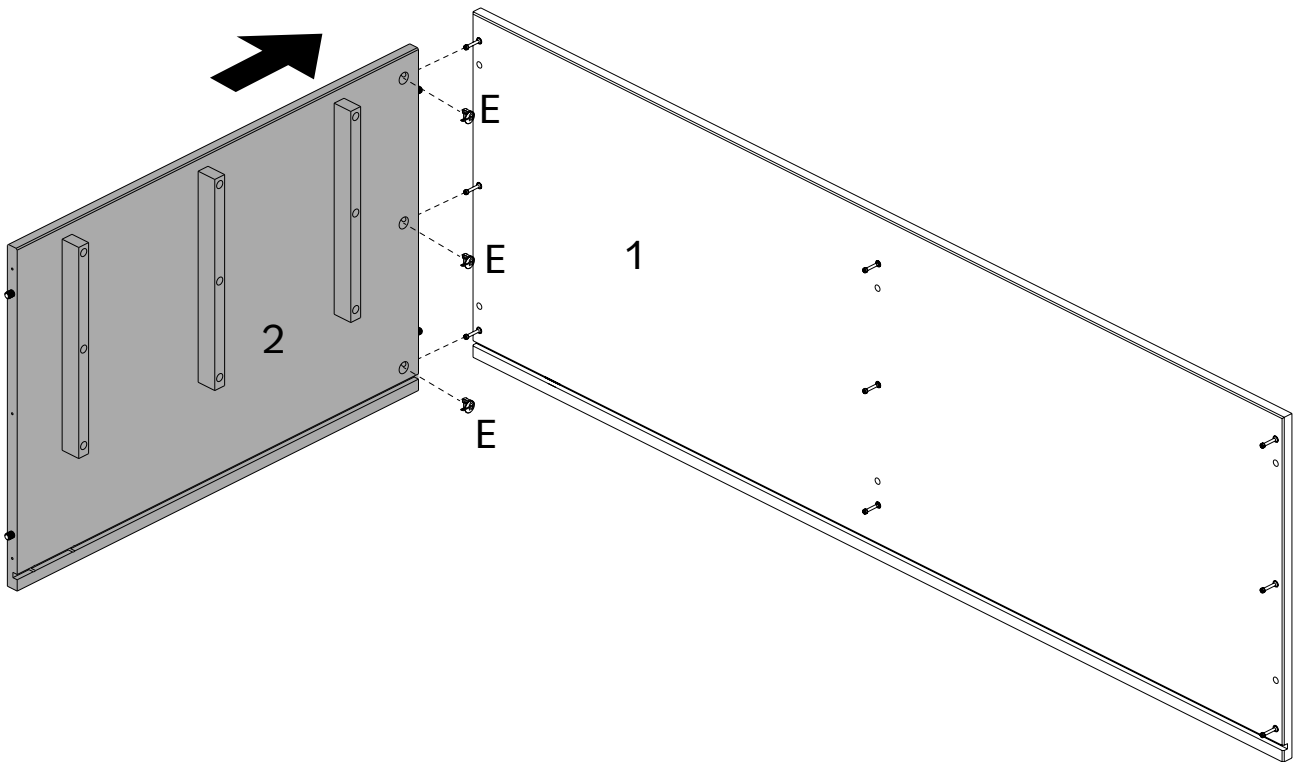
Step 5

Using a Phillips head screwdriver, screw all Cam bolts (D) into the Top panel (1).



Step 6

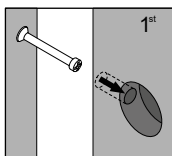
Attach the Left side panel (2) to Top panel (1) and tighten Cam lock (E) x 3 with Phillips head screwdriver.



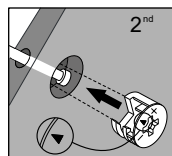
Tip

Cam Locks

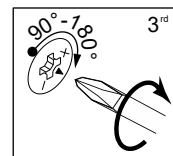
Cam Locks help securely join two pieces together.
Follow these easy steps.



1: Insert Cam Bolt into bolt holes on the flat side. Don't over tighten!



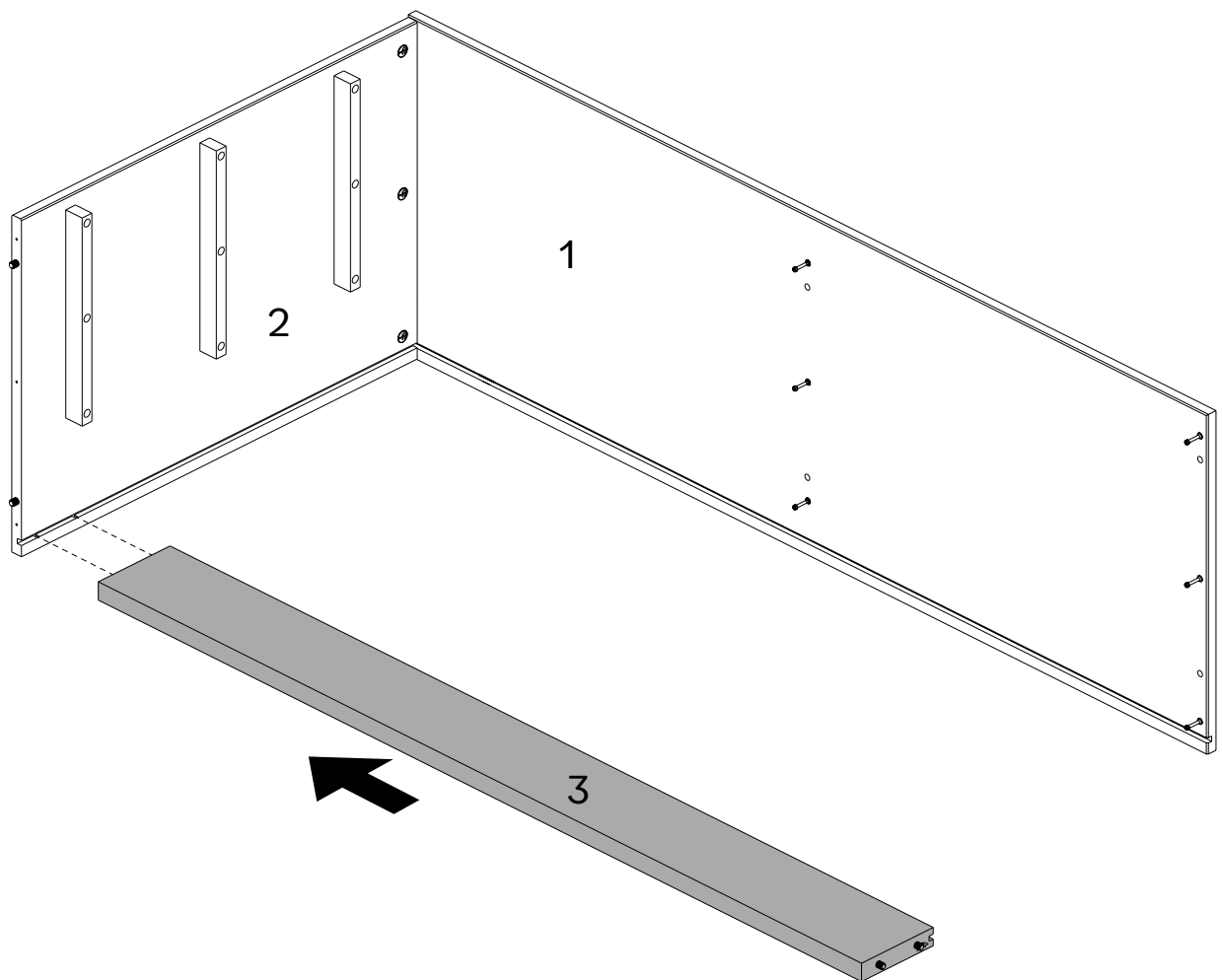
2: Fit the proper holes on the edge of the other part over the Cam Bolts. You should be able to see the cam bolts through the larger hole on the side.



3: On the back of the Cam Lock will be a "C" shape. Insert the Cam Lock so the opening of the "C" fits over the Cam Bolt. Tighten with the screwdriver.

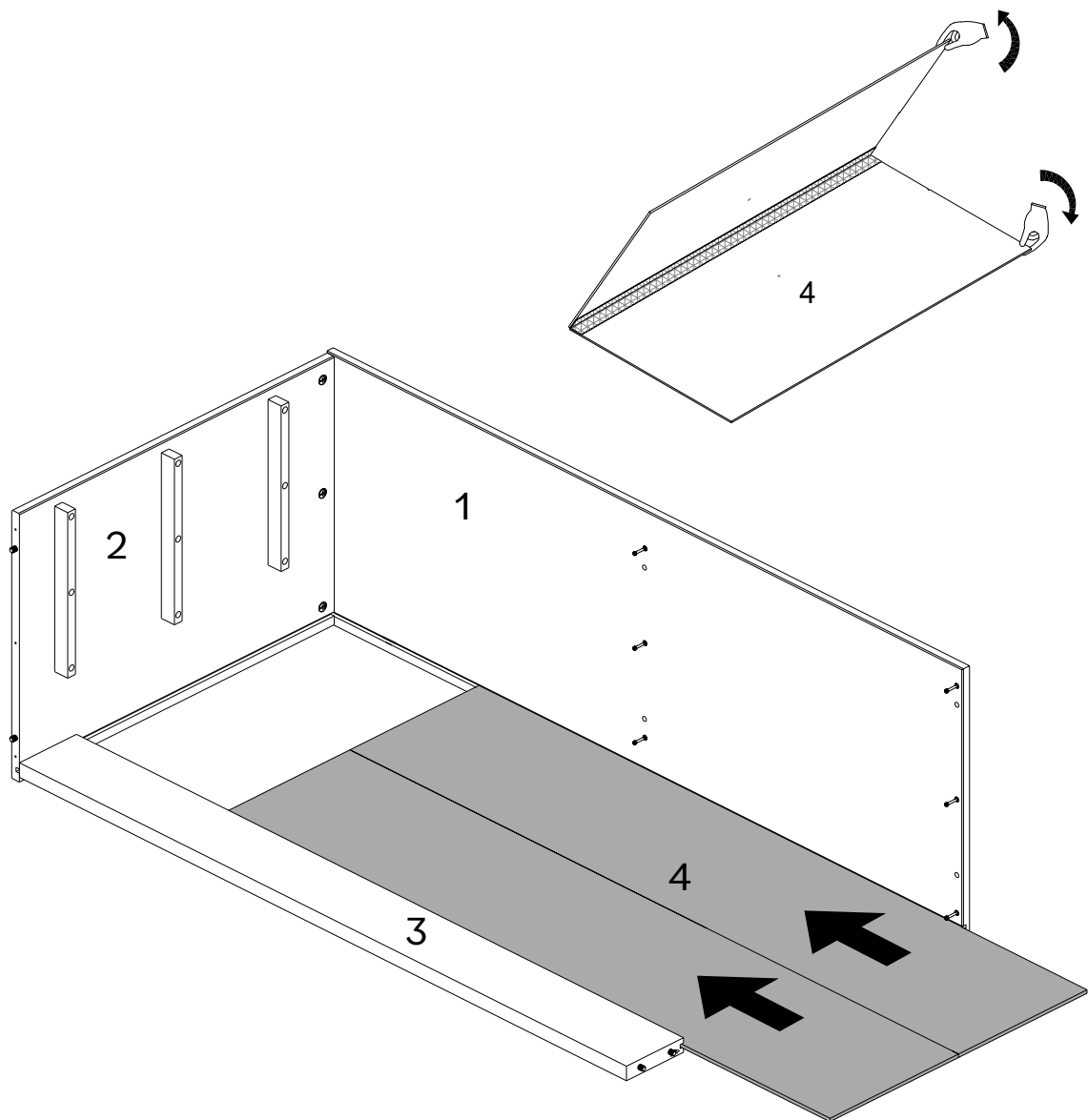
Step 7

Attach the Back rail (3) to Left side panel (2).



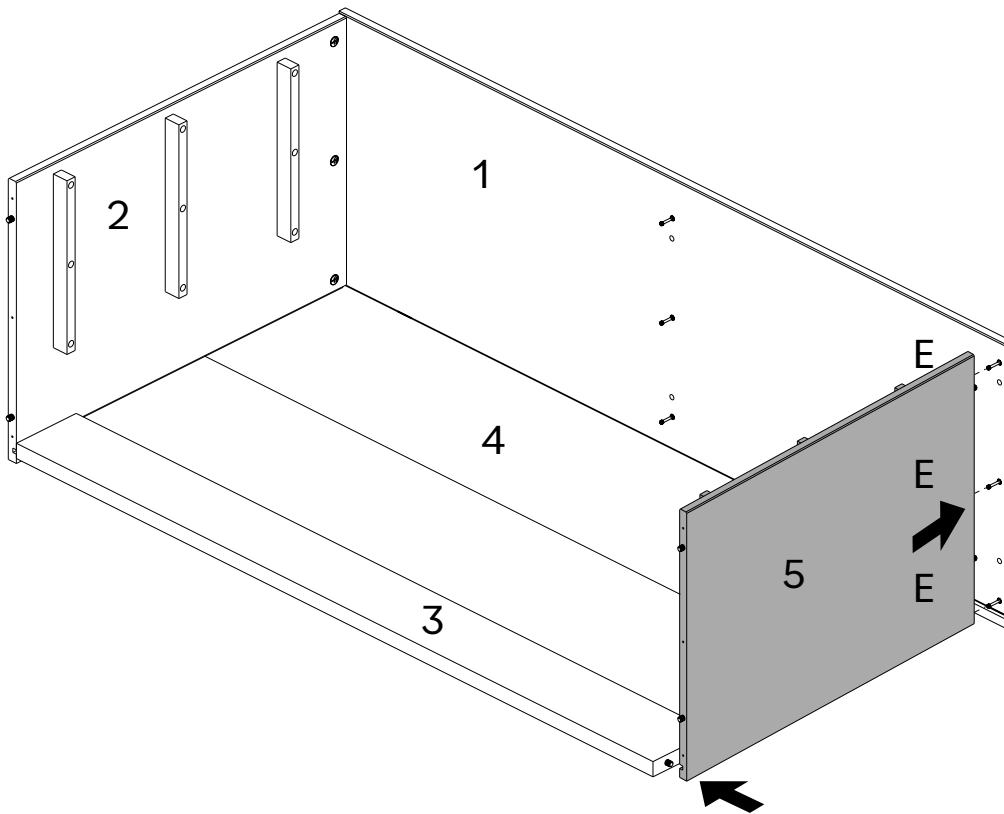
Step 8

Unfold the Back panel (4) and insert between the grooves of Top panel (1) and Back rail (3).



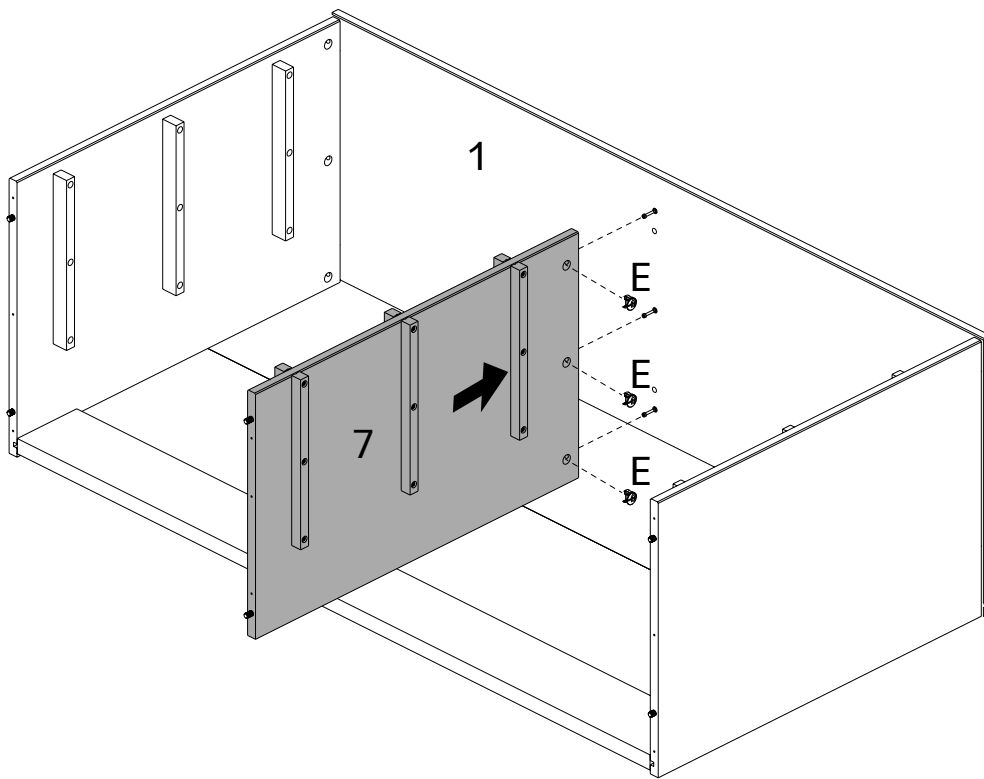
Step 9

Attach the Right side panel (5) to Back rail (3) and Top panel (1). Tighten Cam locks (E) x 3 with Phillips head screwdriver.



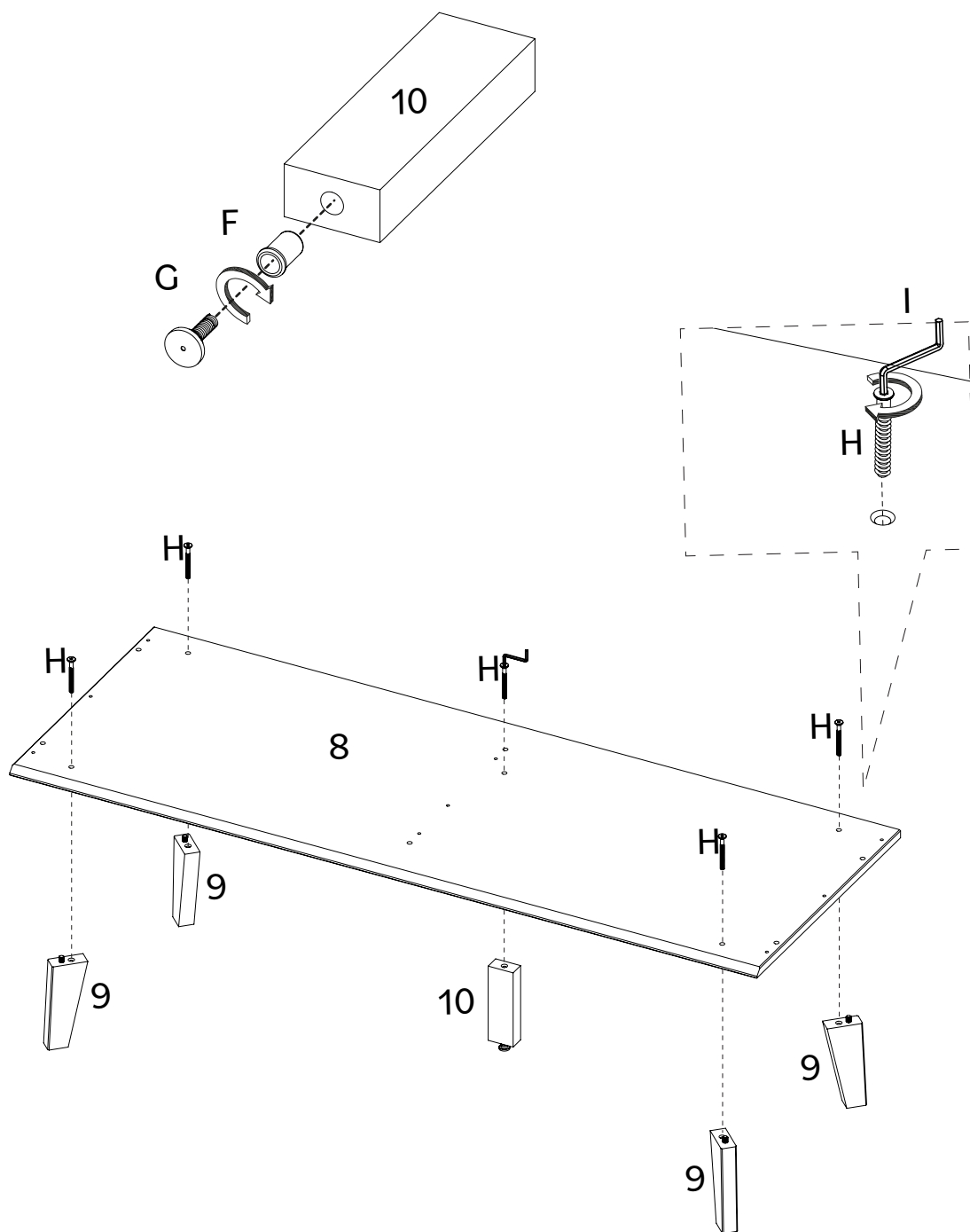
Step 10

Attach the Division (7) to Top panel (1) and tighten Cam locks (E) x 3 with Phillips head screwdriver.



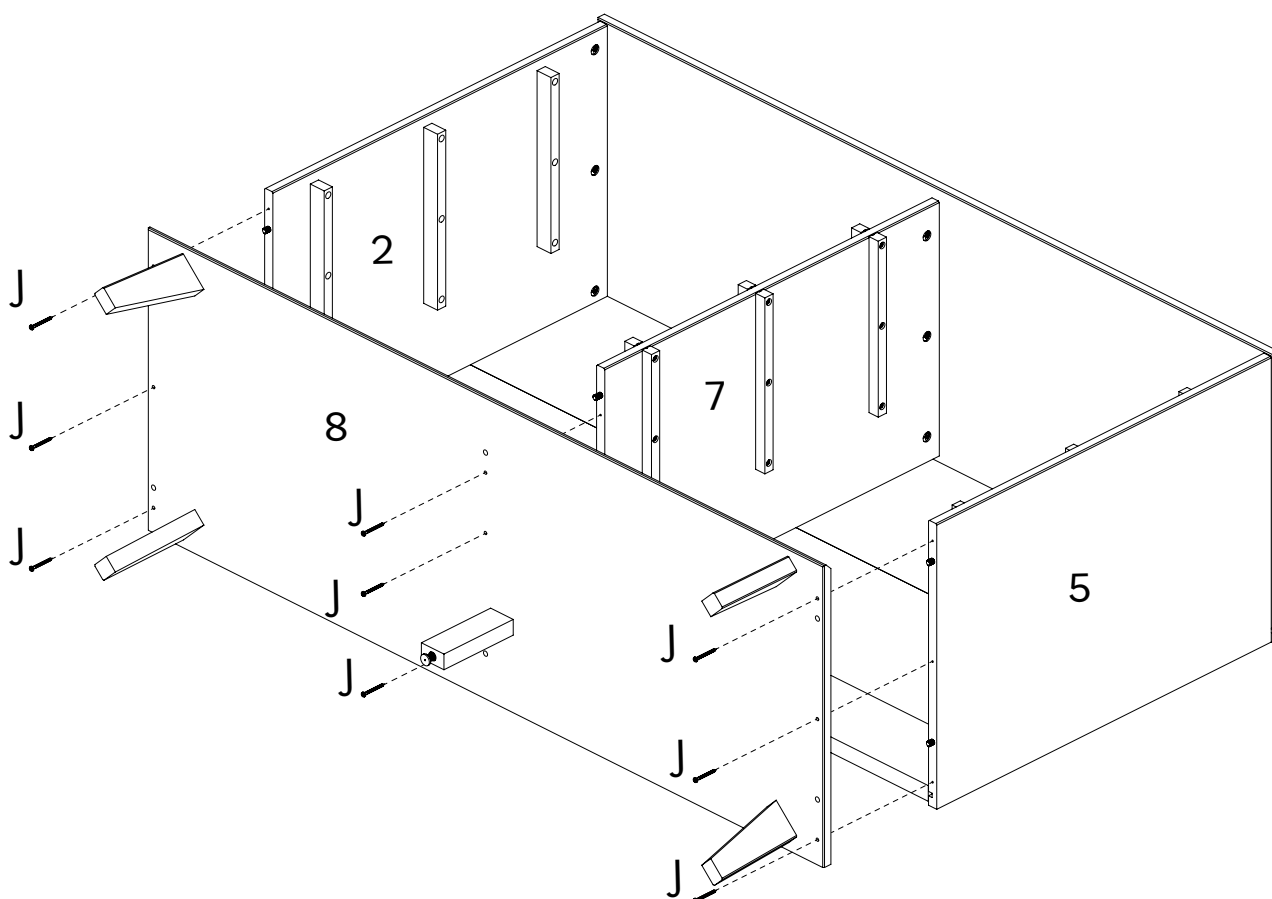
Step 11

Attach the Leveling foot (G) and Plastic bush (F) to Center foot (10). Attach Feet (9) x 4 and Center foot (10) to Bottom panel (8) with all Screws (H) 60mm and Hex key (I).



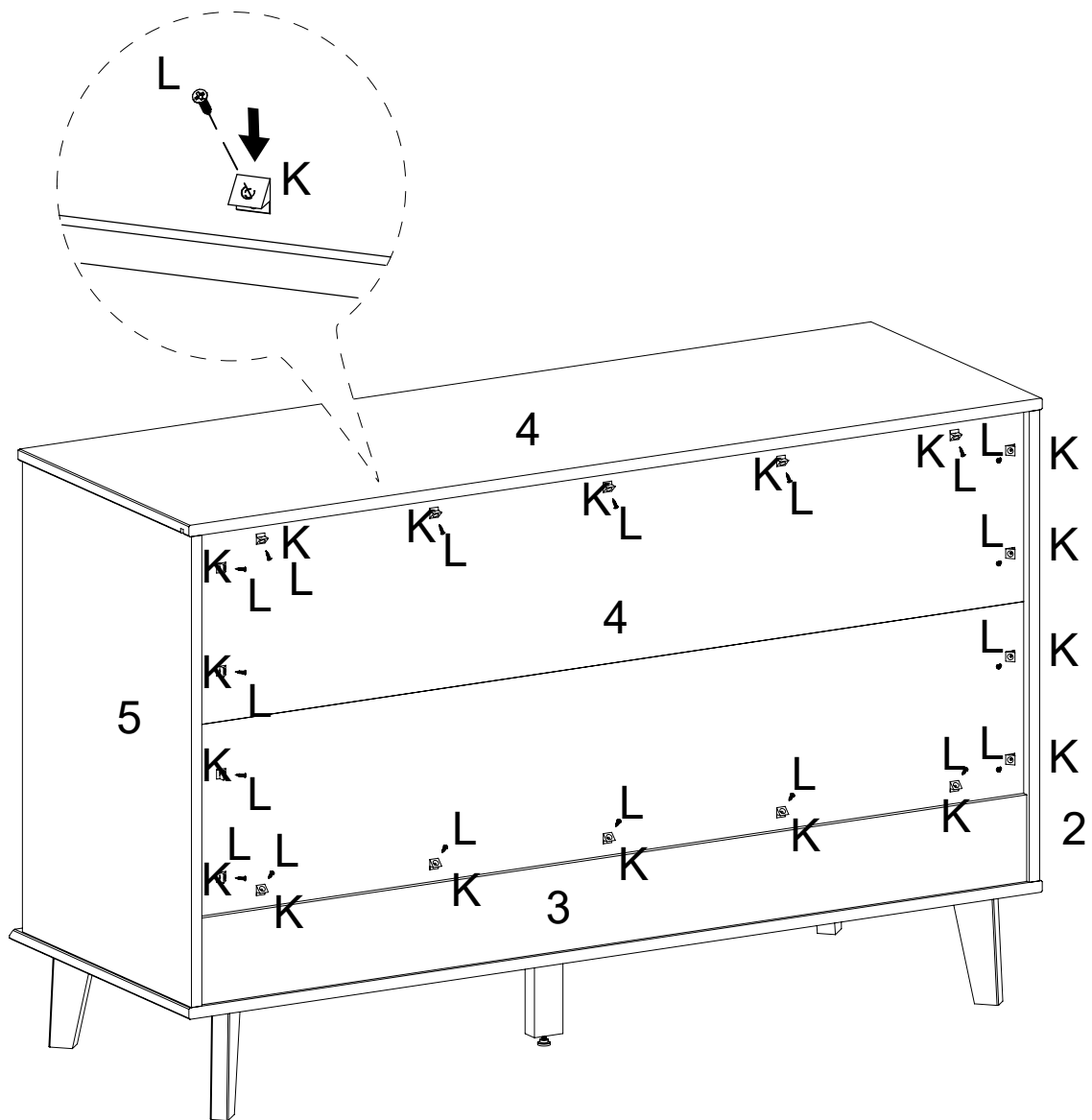
Step 12

Now we will fix the Bottom panel (8) to Left side panel (2), Right side panel (5) and Division (7). Use Screws (J) 40mm and Phillips head screwdriver.



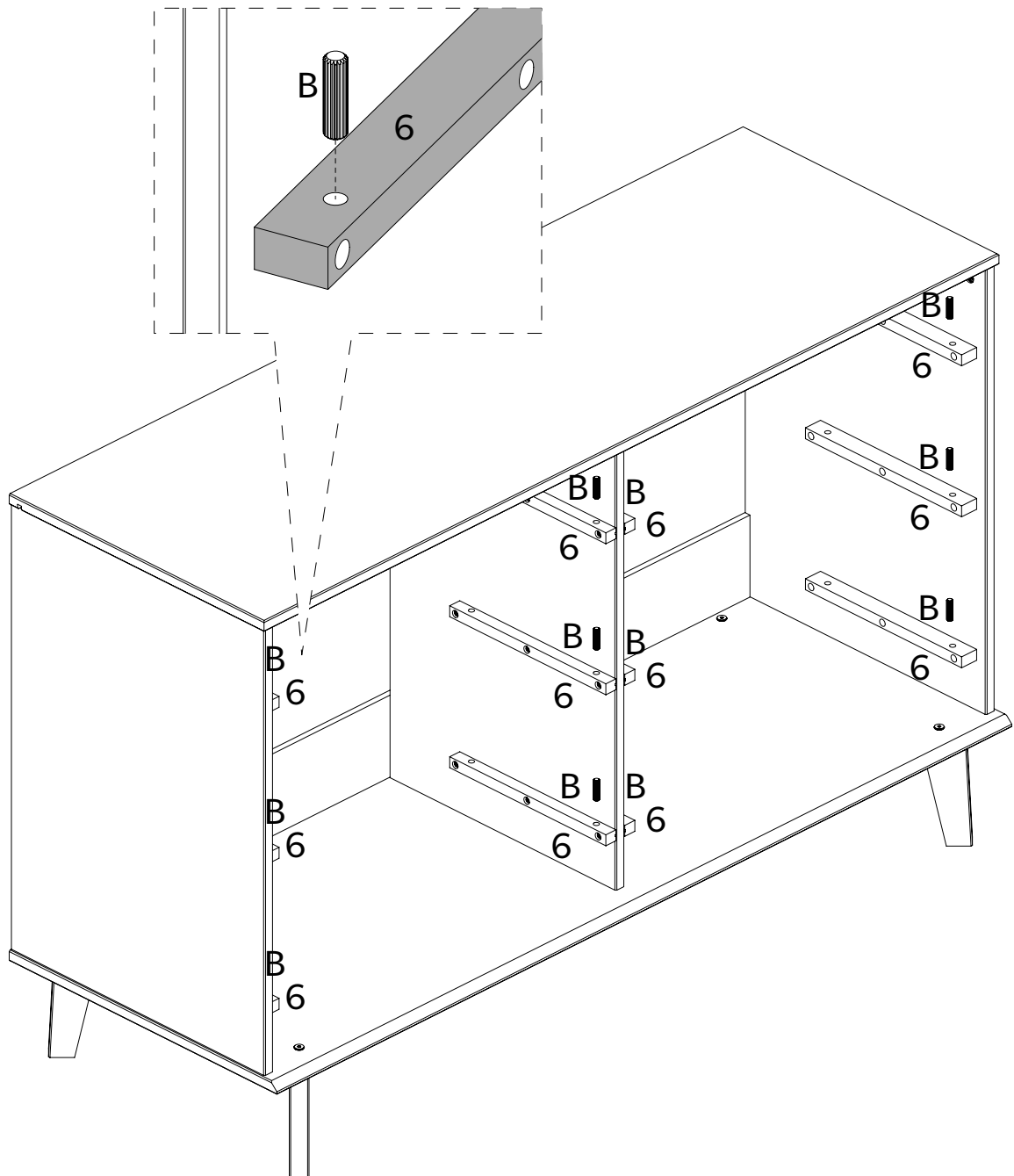
Step 13

Fit all Supports (K) with all Screws (L) 16mm in the grooves on the Top panel (1), Left side panel (2), Back rail (3) and Right side panel (5) to keep Back panel (4) fixed. Use a Phillips head screwdriver.



Step 14

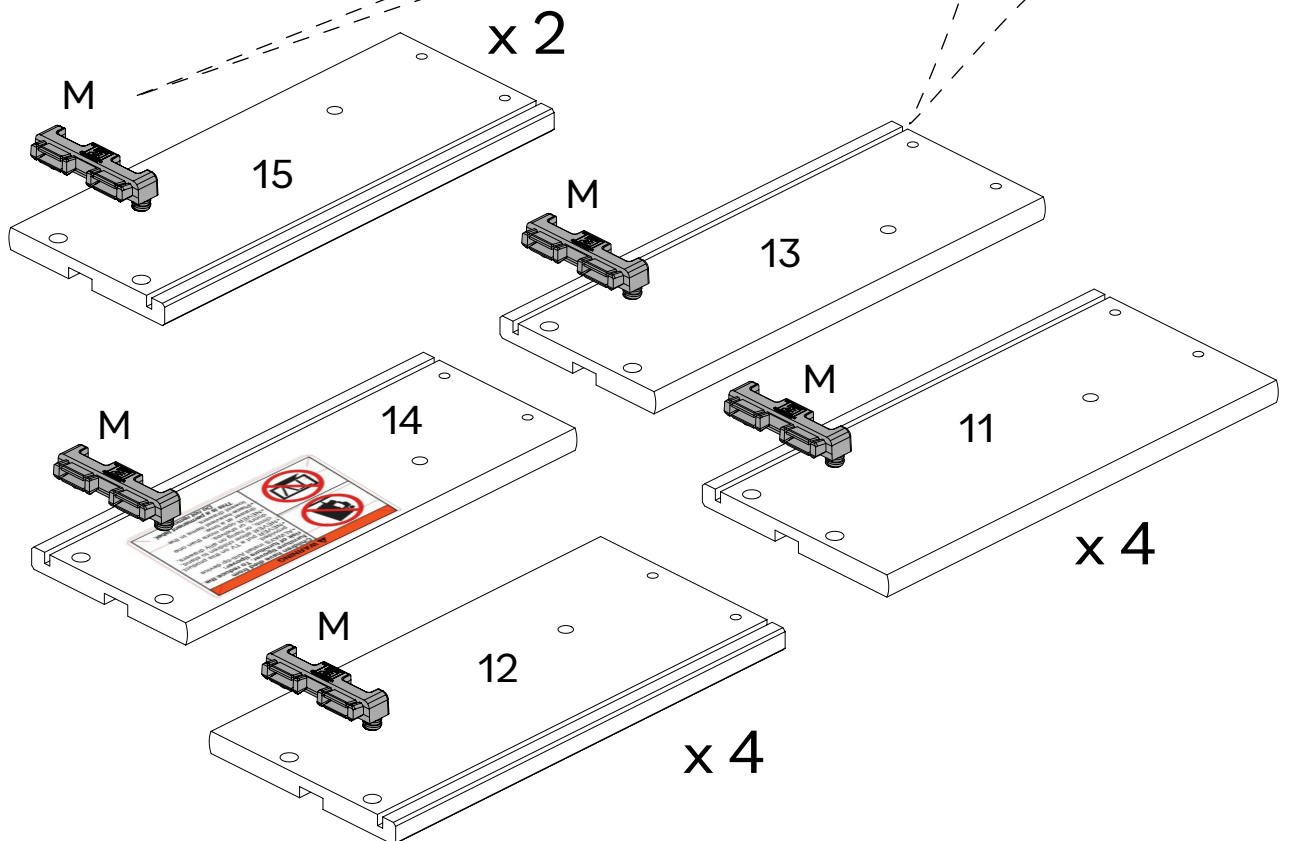
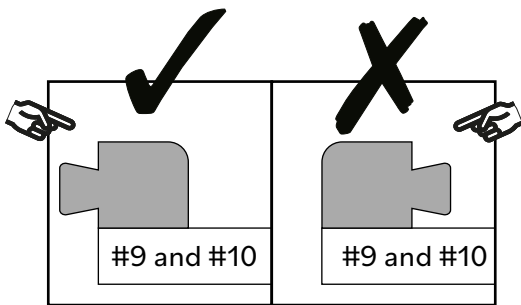
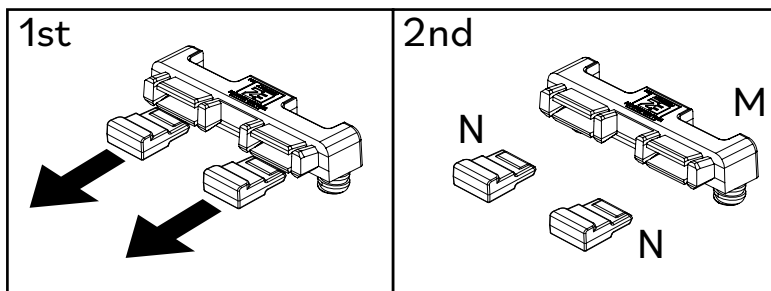
Insert 12 Wood dowels (B) 30mm into the front hole in the Wood sliders (6). This is necessary to stop the drawer from falling.



Step 15

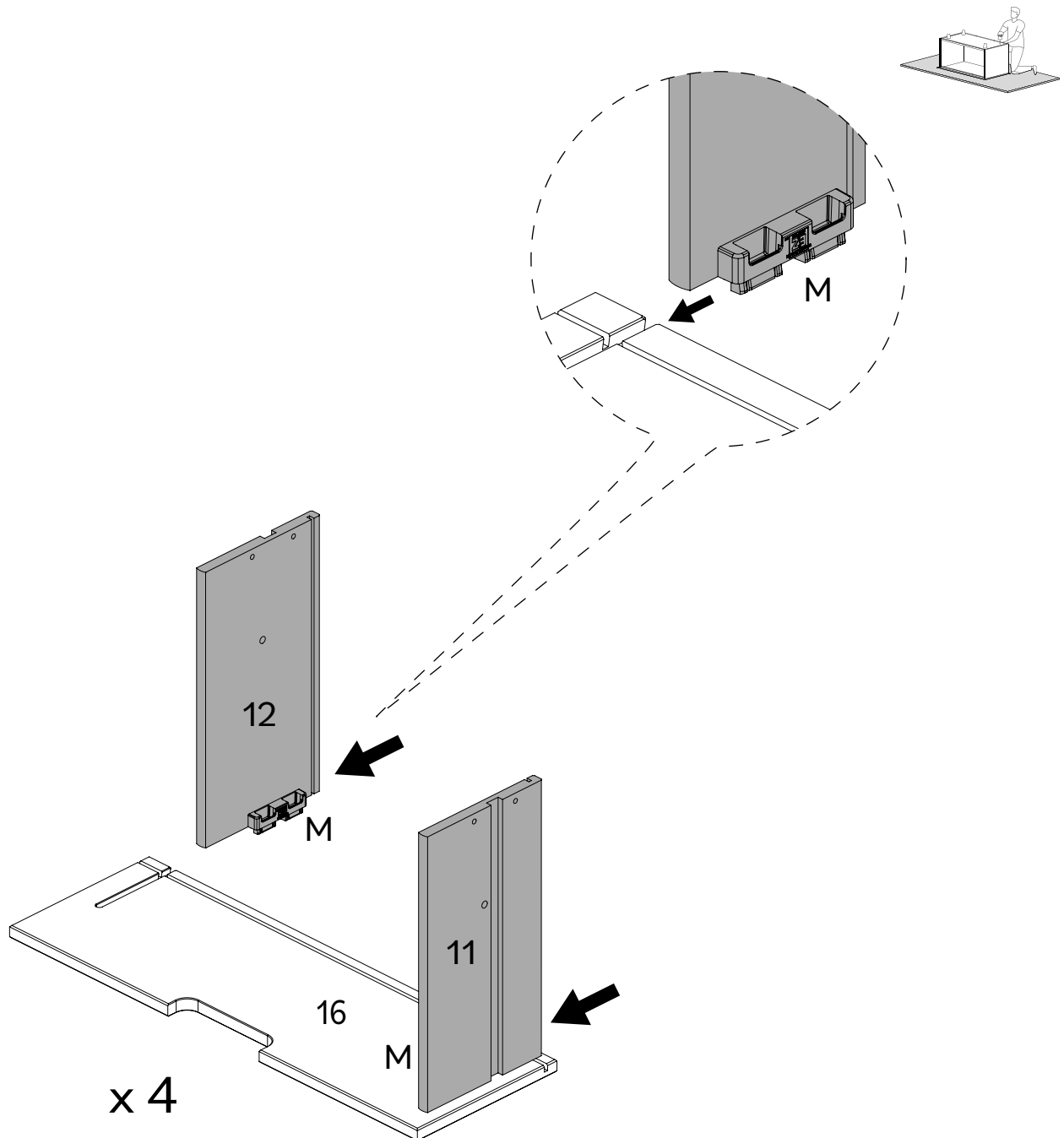
Firstly, detach the all Dovetail locks (N) of the Dovetails (M). Fix the Dovetails (M) to the Right drawer sides (11) x4 and Left drawer sides (12) x 4. We will also fix the smaller ones Small left drawer sides (15), Small right drawer side (13) and Right drawer side with warning (14).

Use a hammer if necessary.



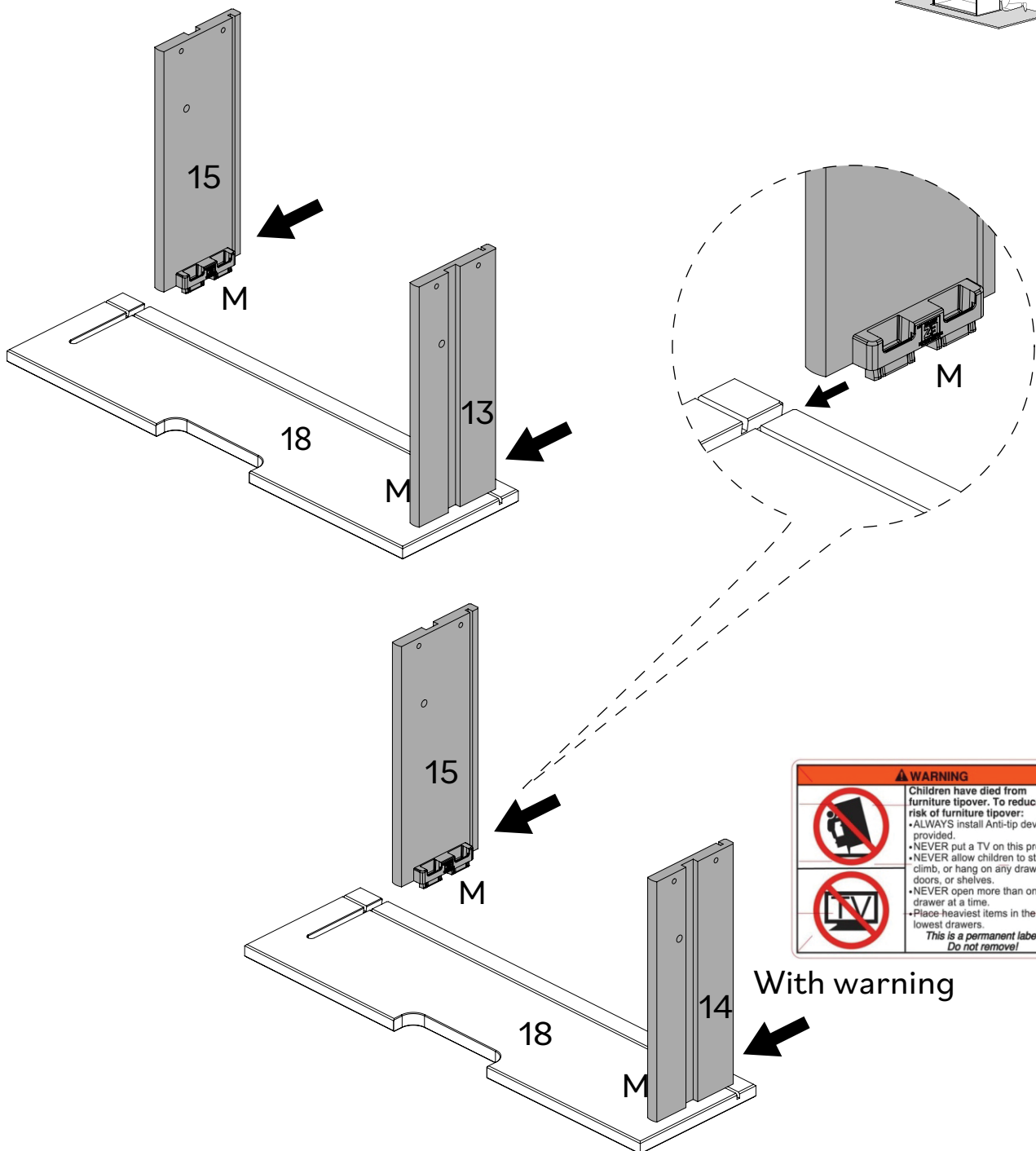
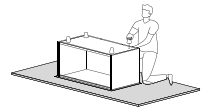
Step 16

We will assembly the 4 bigger drawers. Slide the dovetails (M) on the grooves in the Drawer fronts (16) x 4.



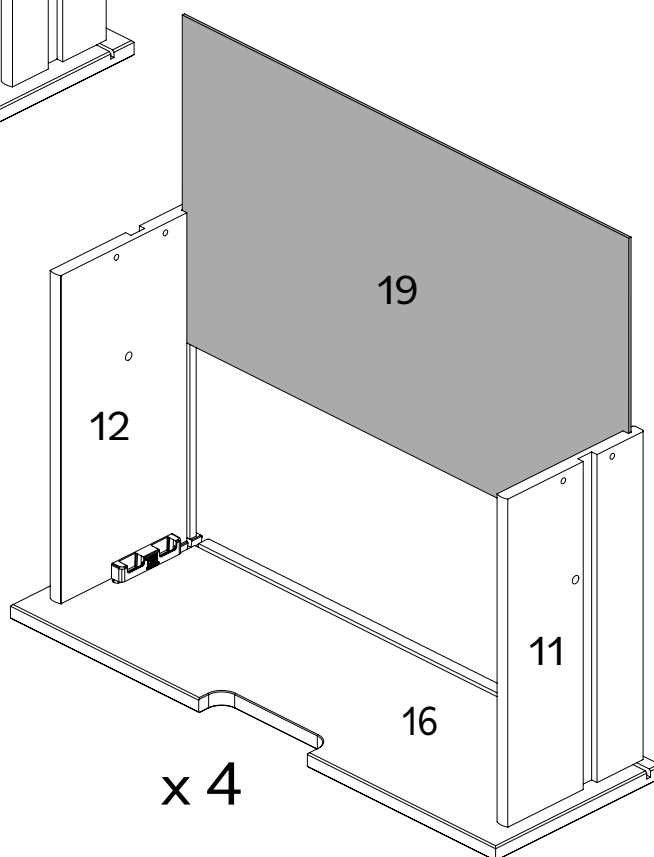
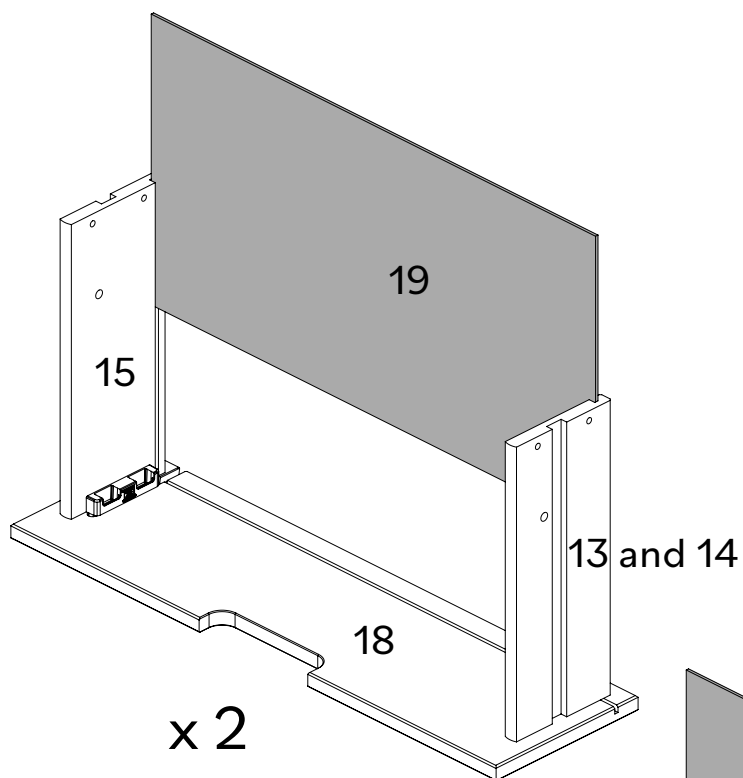
Step 17

Slide the dovetails (M) on the grooves in the Drawer fronts (18) x 2. Attention because at this moment we are assembling the Small drawers fronts (18) x 2 with the Small left drawer sides (15) x 2, Small right drawer side (13) and Right drawer side with warning(14).



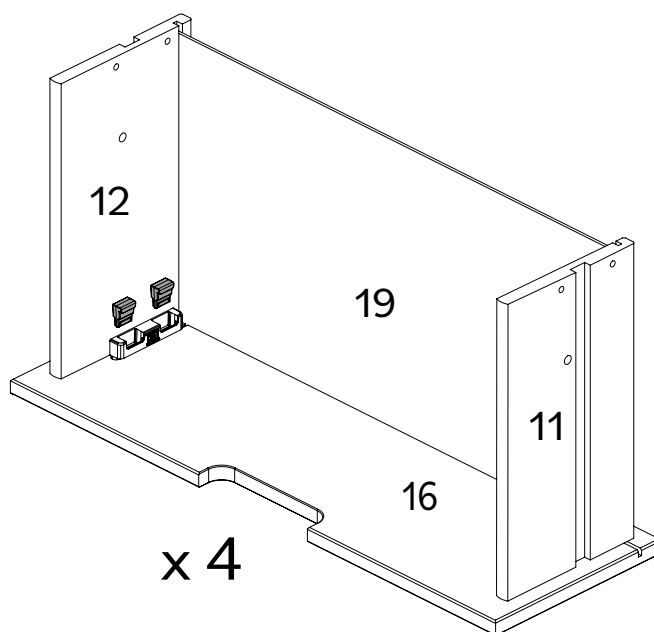
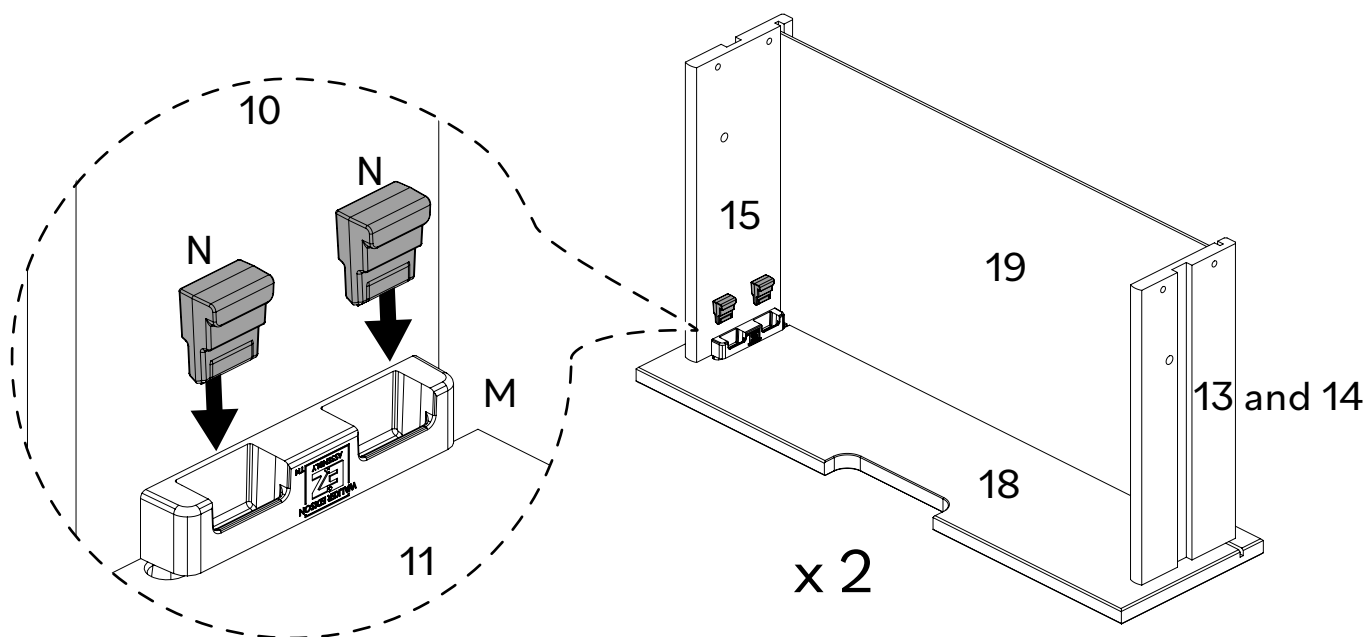
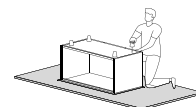
Step 18

Insert the Drawer bottoms (19) x 6 into grooves on the drawer sides and drawer fronts.



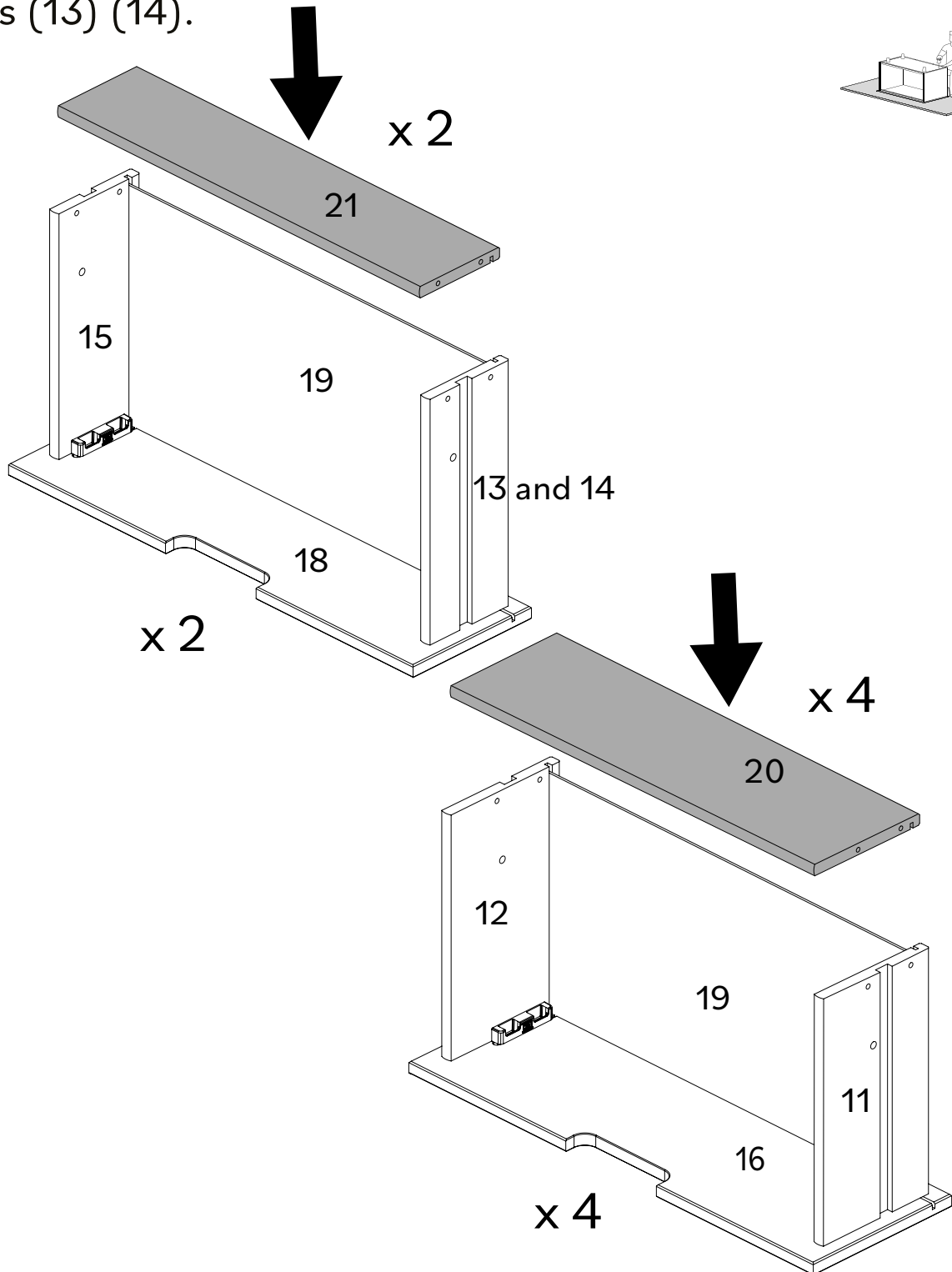
Step 19

Insert the Dovetail lockers (N) x 12 in the Dovetails (M) to lock the Drawer fronts (11) x 6. Use a hammer if necessary.



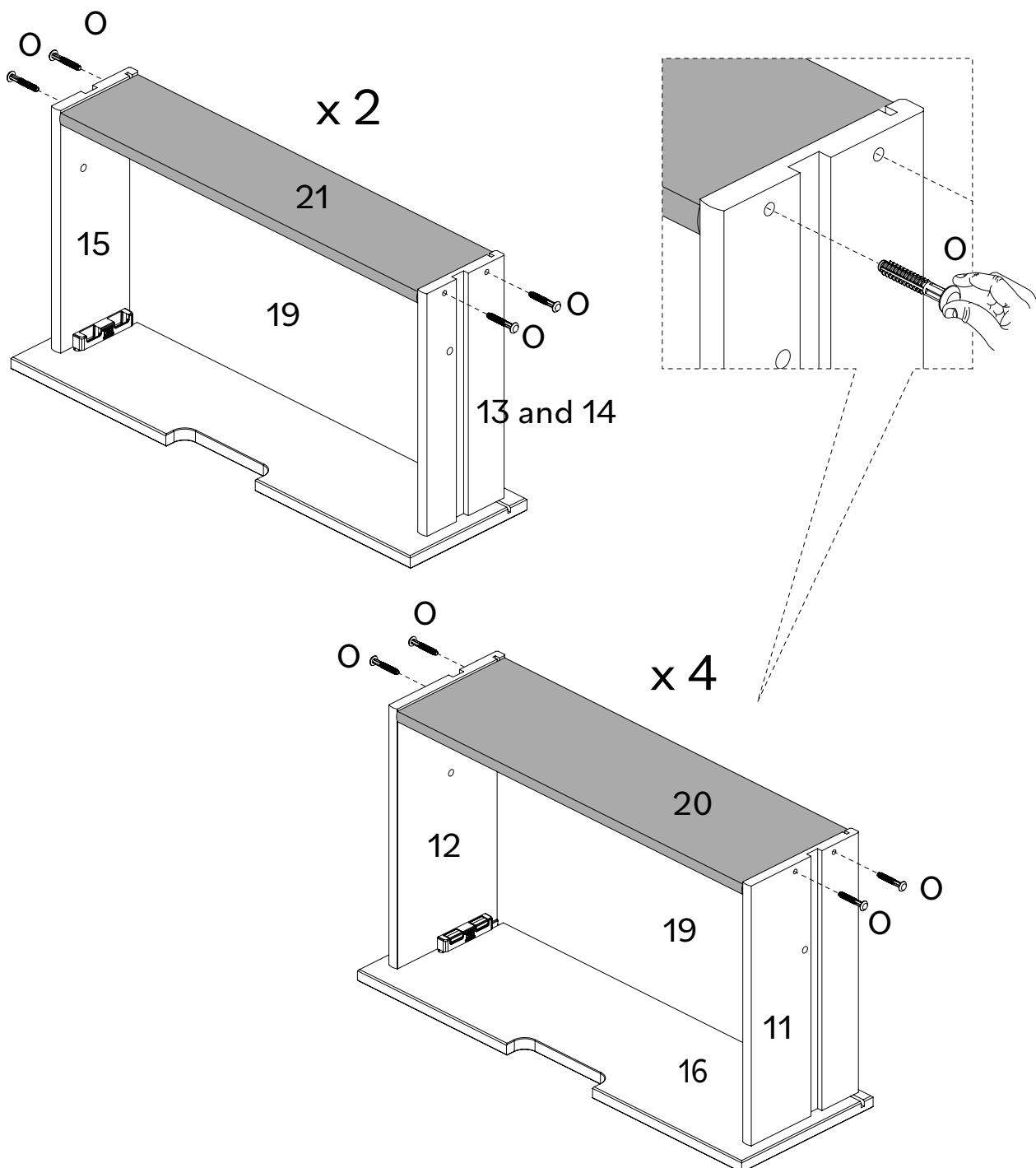
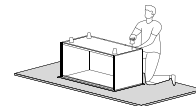
Step 20

Insert Drawer backs (20) x 4 between Right drawer sides (11) and Left drawer sides (12). Insert Drawer backs (21) x 2 between Small left drawer sides (15) and Small right drawer sides (13) (14).



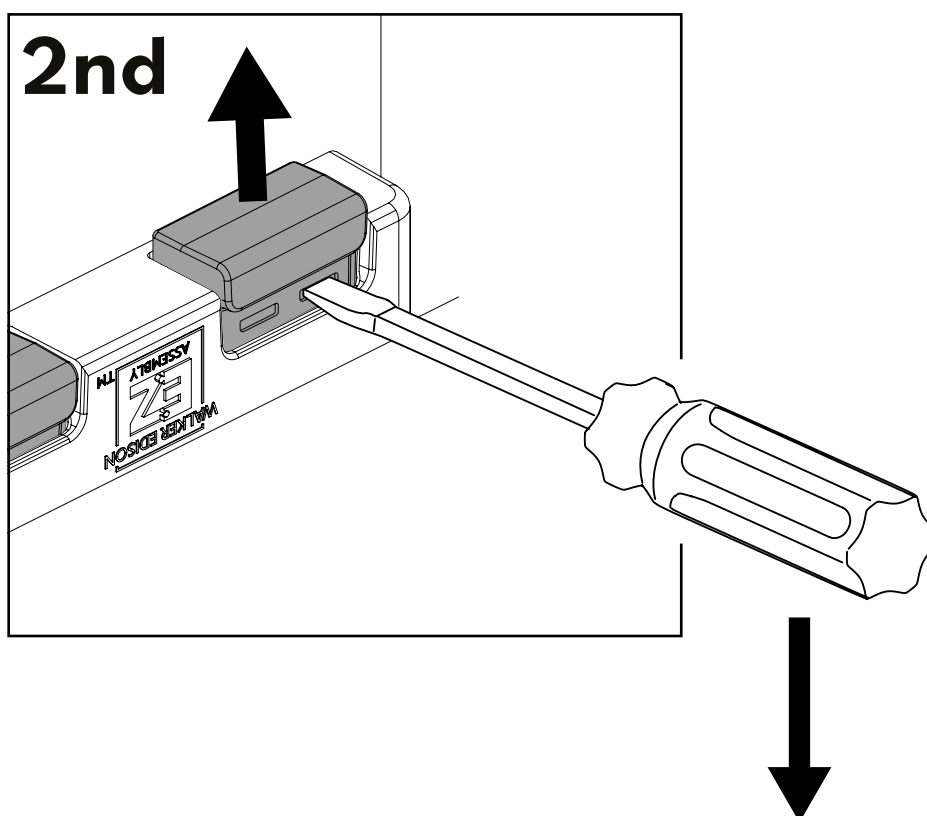
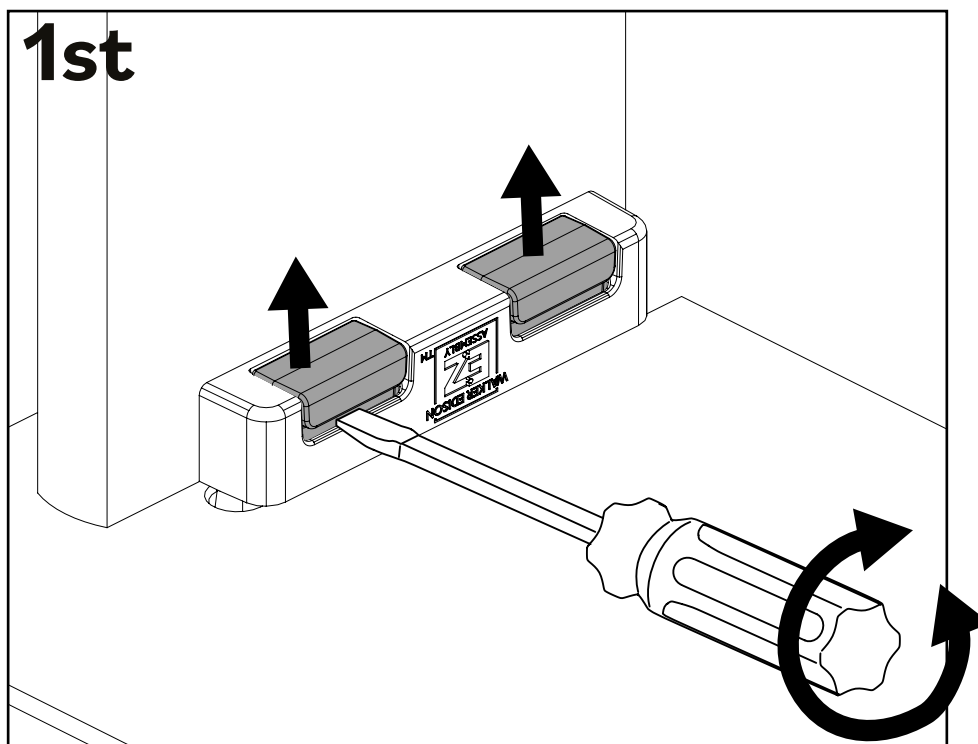
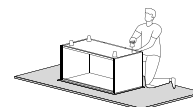
Step 21

Secure the Drawer backs (20) and Drawer backs (21) inserting all Plastic screws (O) in the holes on the Right drawer sides and Left drawer sides. Use a hammer if necessary.



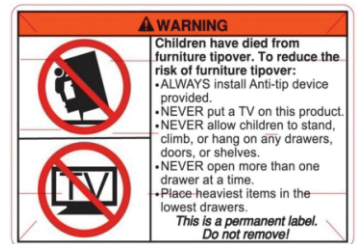
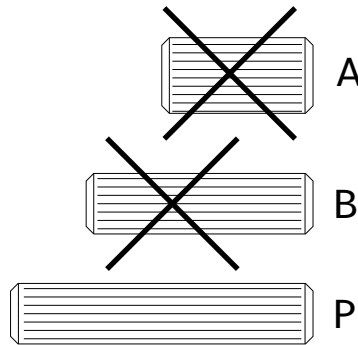
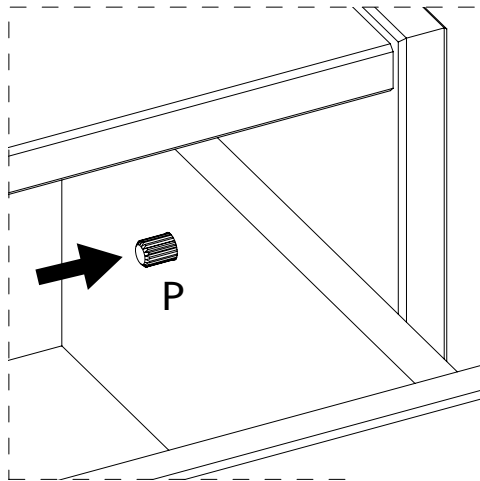
Step 22

If it is necessary to disassemble, remove the Dovetail lockers (N) with a Slotted head screwdriver.

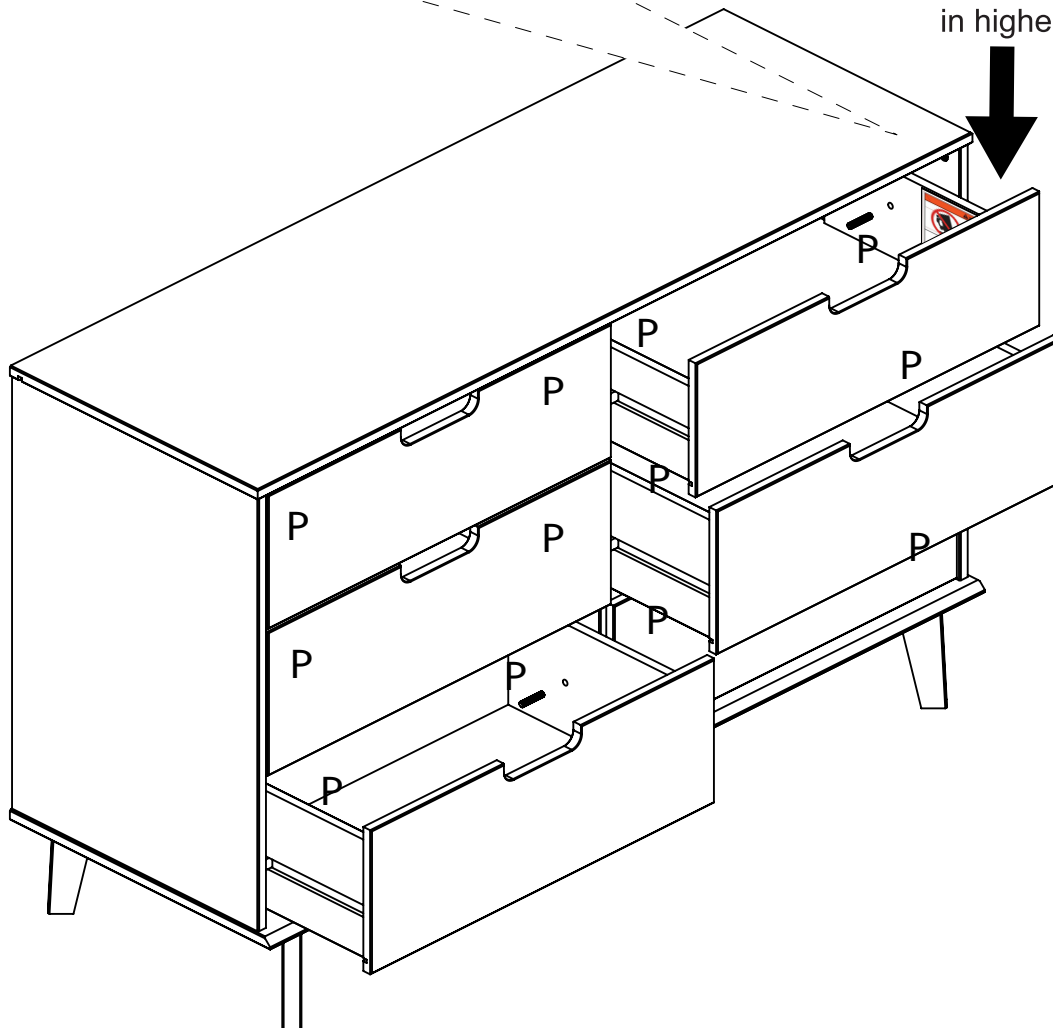


Step 23

Insert all Wooden dowels (P) on the inside of all drawers, with the drawer inside the unit, after having passed the wooden dowel that is in the drawer side. The dowel is not aligned with the panel, it is a little inside the drawer to help when you need to remove the lock dowel to remove the drawer.

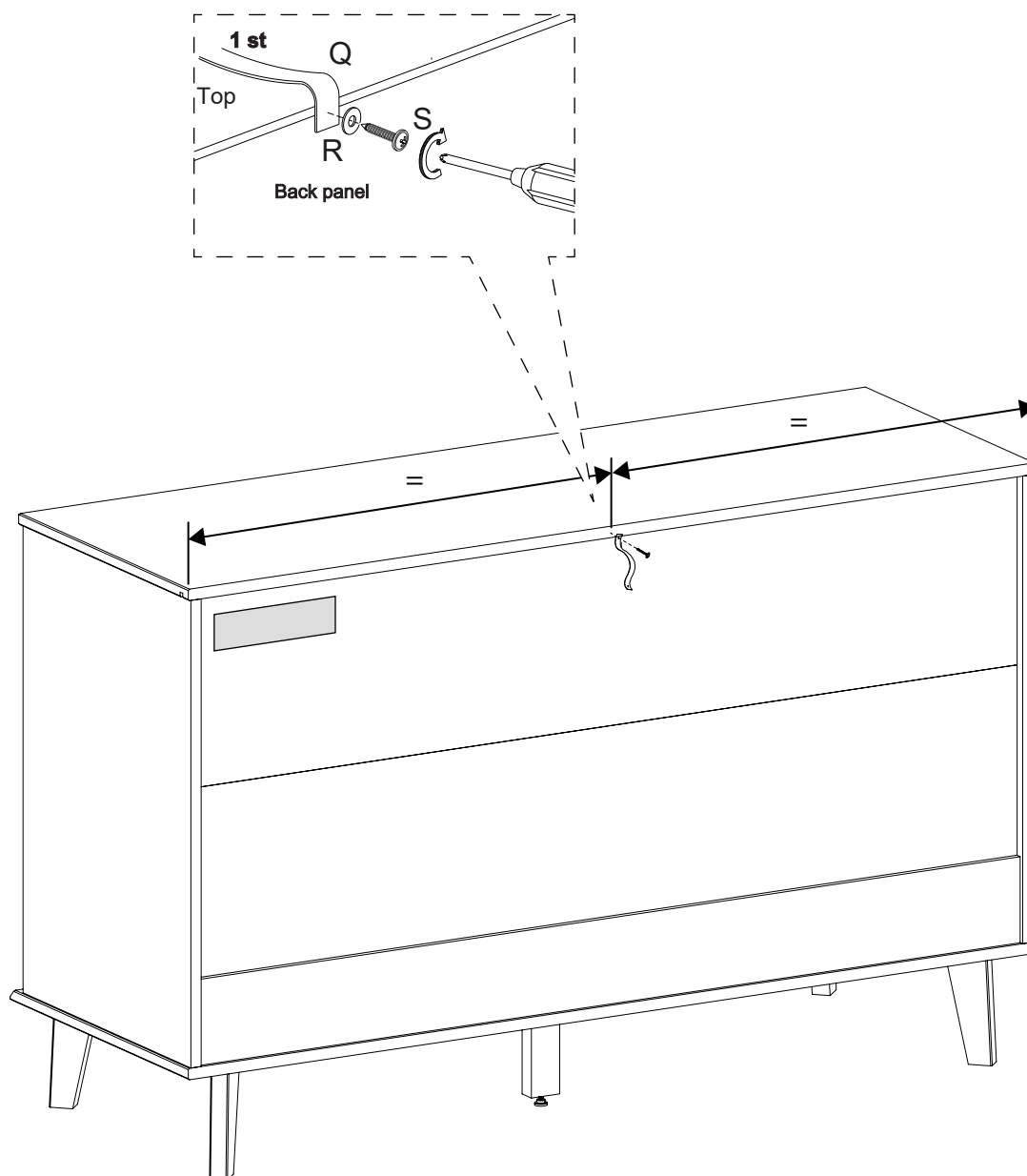


The side drawer with WARNING LABEL should be mounted in highest drawer.



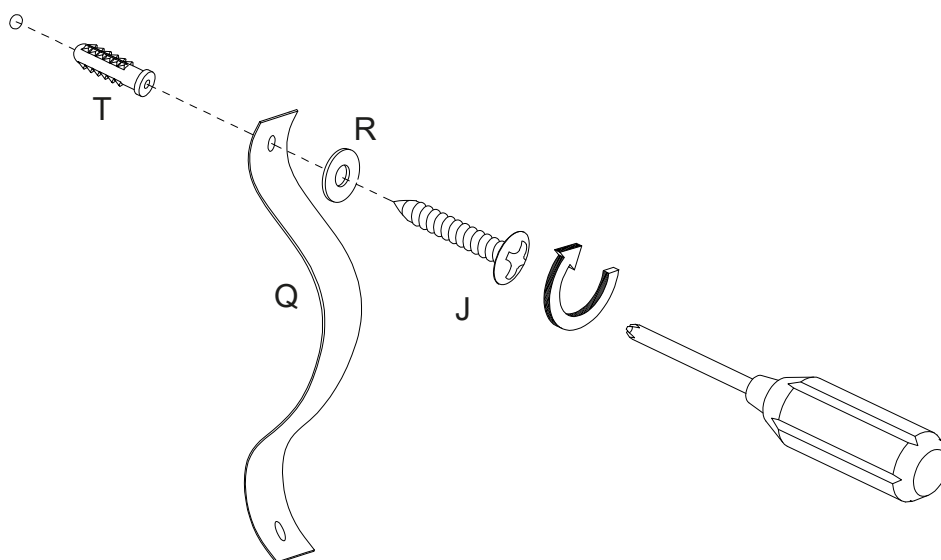
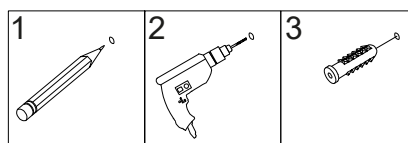
Step 24

Let's secure your dresser to the wall. Attach your Plastic Strip (Q) to your dresser using the 12mm Screw (S) with a washer (R) x1 and Phillis head screwdriver.



Step 25

Insert the Plastic bush (T) into the wall. Next, secure your Wall anchor (Q) to the wall using the Washer (R) with 40mm Screw (J). Way to go! You did it!

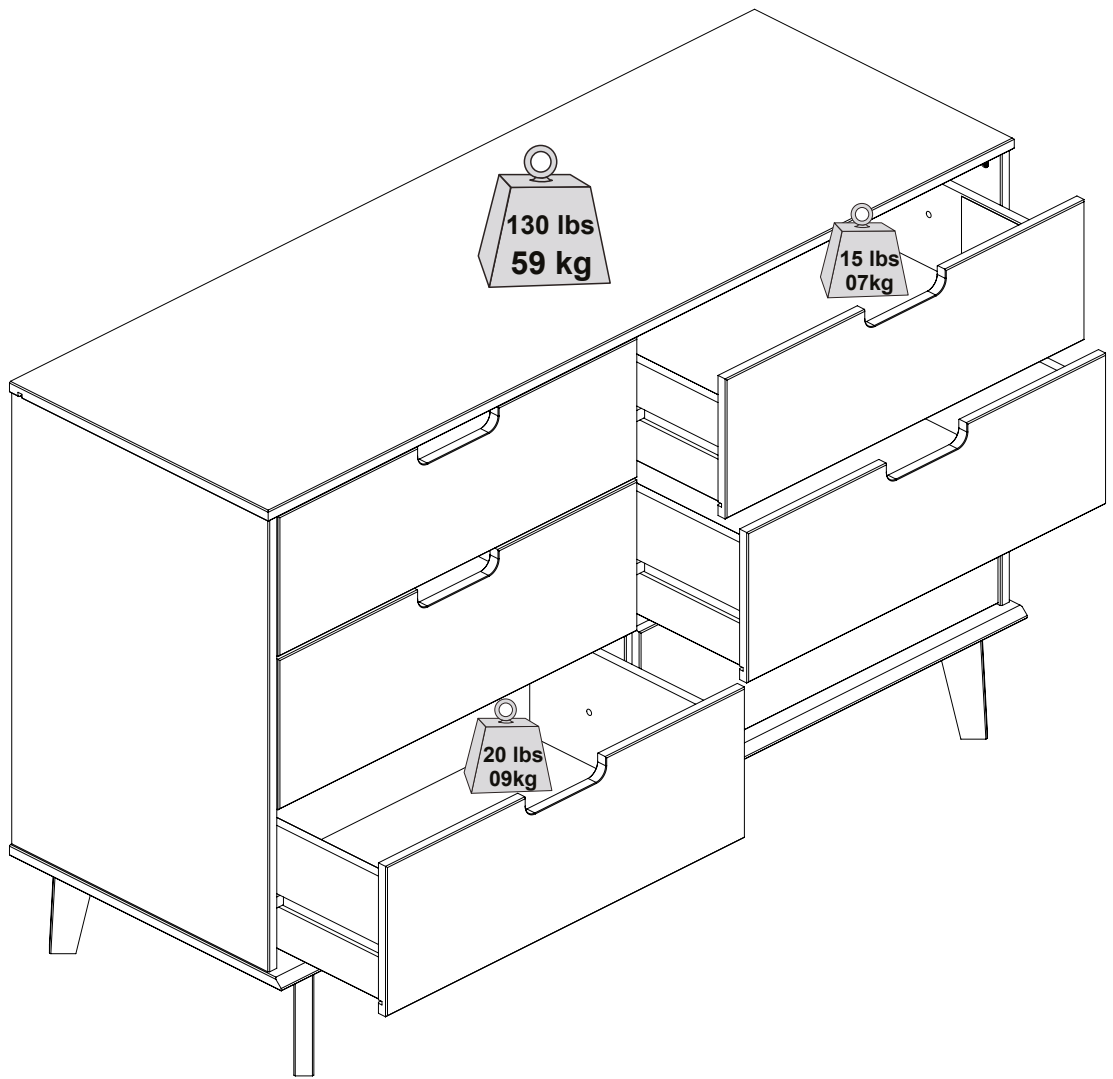


Warning

Serious or fatal injuries can occur from furniture tipping over. To prevent the furniture from tipping over we recommend that it is permanently fixed to the wall. Wall anchor and hardware are included with this product. Please make sure hardware is suitable for your walls before installing, as different wall materials may require different types of anchors.

Name and address information for the manufacturer responsible for the anti-tip hardware and date of production can be found on the label on the back of the furniture.

Final Assembly



Congratulations on your new piece of furniture!
We would love to hear about it and see it.
Please leave us a review or post a picture with
#mywalkerredisonhome

Assembling furniture can be tricky sometimes.

Our customer service team, located in Utah, is here for product information, help assembling a product, or for any other customer support issue

Call us at **801-433-3008**

Email us at service@walkeredison.com

Visit our Customer Service website at walkeredison.com/pages/customer-service

We are available to help Monday -Thursday 8am-5pm, Friday 8am-3pm MST

For details on Assembly Videos, Assembly Instructions, Replacement Parts, and Customer service,

SCAN HERE

