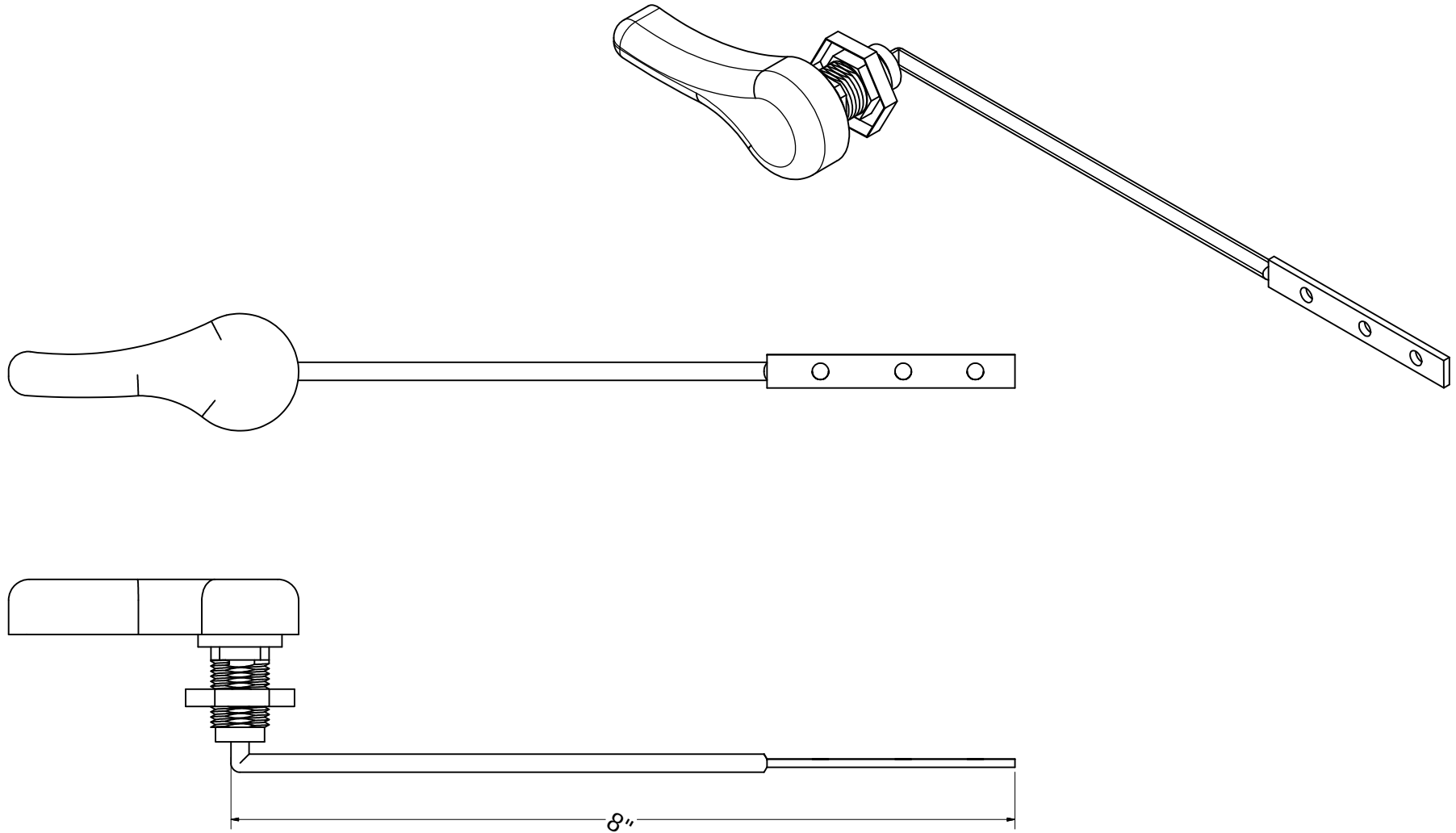


FIT-ALL TANK TRIP LEVER



PHONE NUMBER
1-800-355-6637
 FAX NUMBER
1-800-462-6991
 SCALE 1.25 : 1 DATE 5/24/13
 SHEET
1 OF 1
 DRAWN BY
ASHLEY KRALOVEC

PART NO.

T01001

FINISH

CP METAL

DESCRIPTION

BRASS ARM WITH METAL SPUD AND NUT