

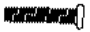






HOOKER[®]

— FURNITURE —

ASSEMBLY INSTRUCTION

Item#: 5805-90019-99 Bench

**** Please make sure you have all parts indicated below prior to assembly.
This unit is heavy and can best be assembled with the help of two or more people**

NO	HARDWARE LIST	Q' TY
A	 5/16" * 35mm ALLEN BOLT	12
B	 5/16" LOCK WASHER	12
C	 5/16" FLAT WASHER	12
D	 ALLEN WRENCH	1
E	 FULL THREADED ROD	1
F	 ALLEN BOLT	2
G	 SPANNER	2

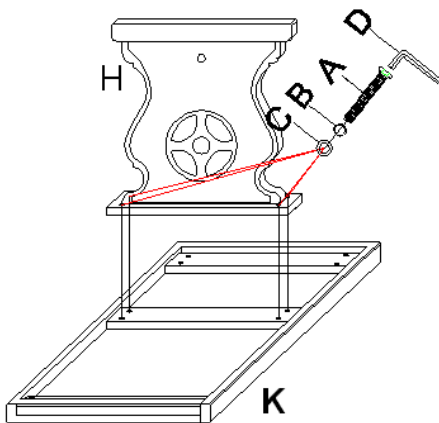
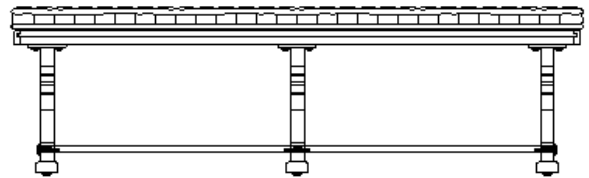


Diagram 1

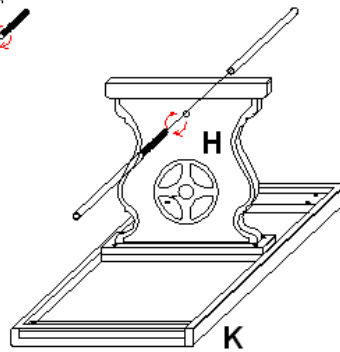


Diagram 2

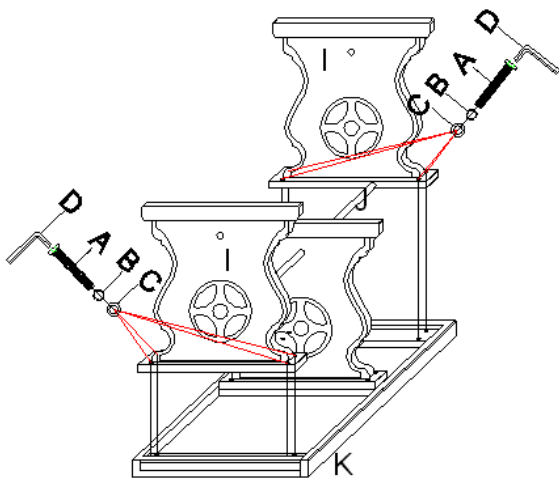
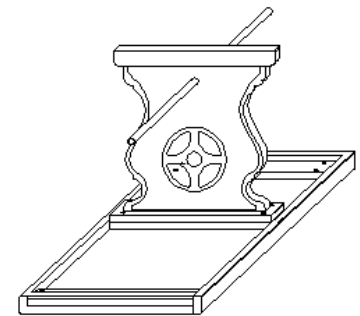


Diagram 3

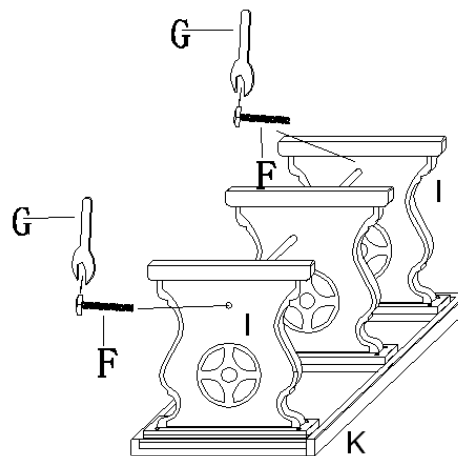


Diagram 4

Assembly Steps:

1. Put seat frame (K) upside down on a soft surface to prevent it from being scratched. Attach center leg frame(H) to seat frame (K) by using bolts (A), lock washers (B) and flat washers (C), tighten with allen wrench (D) in clockwise direction. Do not over tighten (See Diagram 1).
2. Screw full threaded rod (E) into metal stretcher (J) in clockwise direction. Then align one end of full threaded rod (E) to the pre-drilled hole on center leg frame and through it .Screw full threaded rod into another metal stretcher in clockwise direction(See Diagram 2).
3. Attach two side leg frames (I) to seat frame (K), align holes on two side leg frames to the pre-drilled holes on seat frame (No need to tighten them). Make sure all three leg frames are on the same level , place two ends of metal stretcher (J) into two side leg frames, align two ends of metal stretcher to the pre-drilled holes on two side leg frames (See Diagram 3).

Then tighten two side leg frames by using bolts (A), lock washers (B) and flat washers (C), tighten with allen wrench (D) in clockwise direction (See Diagram 3).

4. Insert 2 allen bolts (F) into two ends of metal stretcher , screw it with spanner at one end of metal stretcher , meanwhile lock it at another end of metal stretcher.(Need two people to do this step on both ends at the same time).
5. Tighten all bolts.
6. Turn bench upright.

Cleaning Instruction: Clean finished parts with a damp cloth using a mild dishwashing liquid and water solution. Polish the finish with soft cloth and an industry recognized furniture polish.