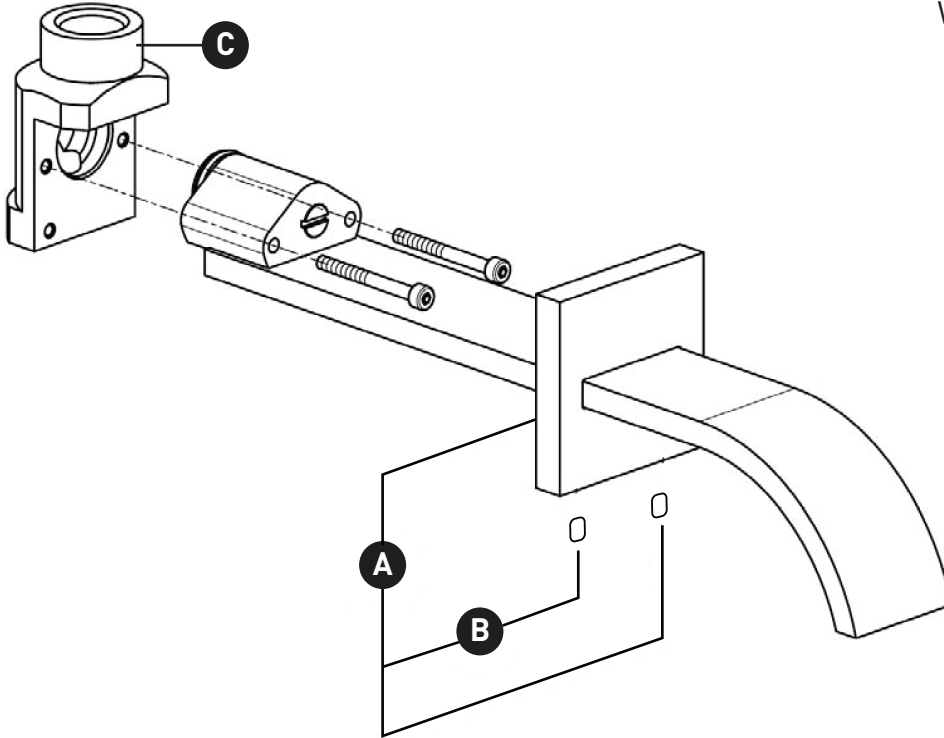


ORDER BY PART NUMBER

ILLUSTRATED PARTS

WA24

Wave™ Wall Mount Tub Spout



ID	Kit Number	Finish
A	ZZ 94946 0*	See below
B	ZZ 93328 0*	See below
C	ZZ 96775004	N/A

*Finish Determined by Suffix

Finish	Description
APC	Polished Chrome
STN	Satin Nickel

For warranty or additional information, contact:

U.S.A.
houseofrohl.com/support
1-800-777-9762

QUEBEC / MARITIMES / WESTERN CANADA
QUÉBEC / MARITIMES / OUEST CANADIEN
QUEBEC / MARITIMOS / CANADA OCCIDENTAL
houseofrohl.ca/support
1-866-473-8442

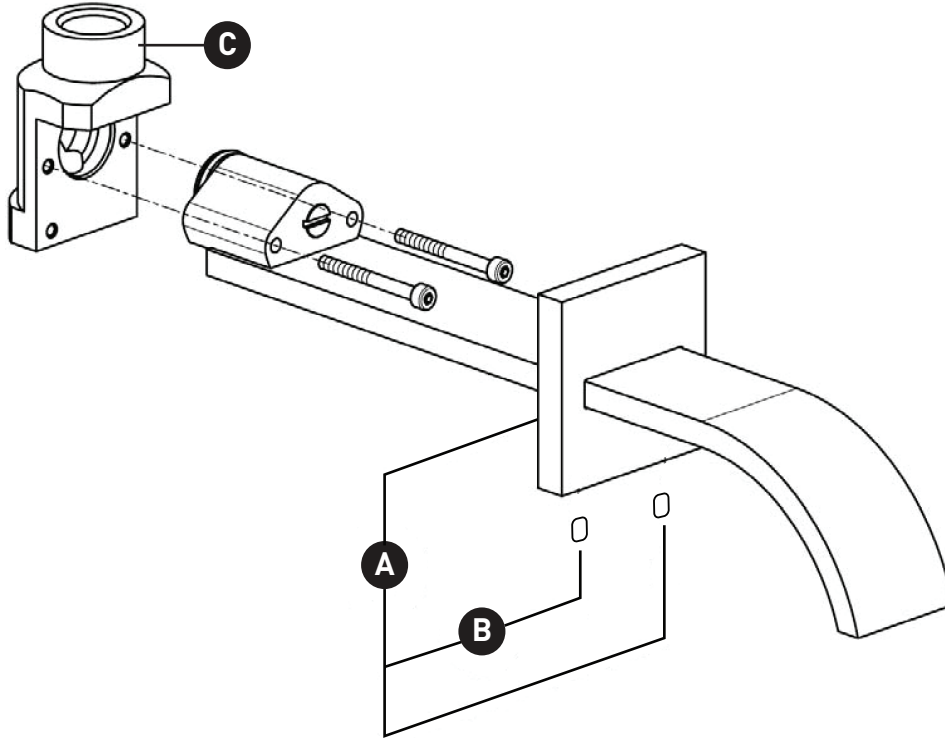
ONTARIO
houseofrohl.ca/support
1-800-287-5354

**VEUILLEZ EFFECTUER VOTRE COMMANDE
PAR NO DE RÉFÉRENCE**

ILLUSTRATIONS DES PIÈCES

WA24

Bec de bain mural Wave™



ID	Référence du kit	Finition
A	ZZ 94946 0*	Voir ci-dessous
B	ZZ 93328 0*	Voir ci-dessous
C	ZZ 96775004	N/A

***Finition déterminée par le Suffixe**

Finition	Description
APC	Laiton poli
STN	Nickel satiné

For warranty or additional information, contact:

U.S.A.
houseofrohl.com/support
1-800-777-9762

QUEBEC / MARITIMES / WESTERN CANADA
QUÉBEC / MARITIMES / OUEST CANADIEN
QUEBEC / MARITIMOS / CANADA OCCIDENTAL
houseofrohl.ca/support
1-866-473-8442

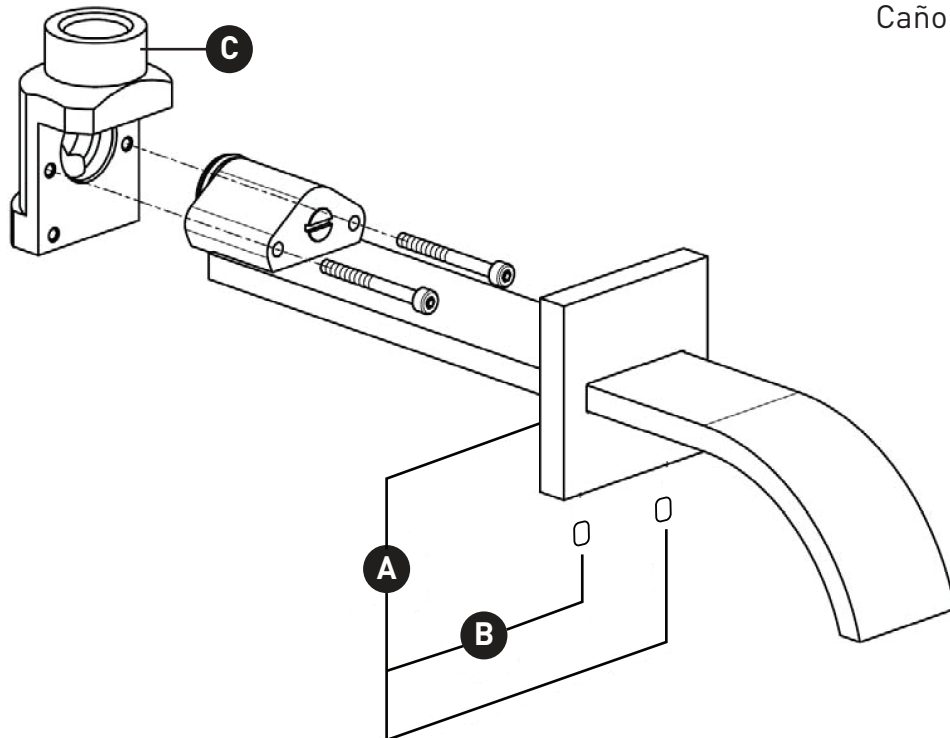
ONTARIO
houseofrohl.ca/support
1-800-287-5354

PEDIR POR NÚMERO DE REFERENCIA

PIEZAS ILUSTRADAS

WA24

Caño para bañera de montaje en pared
Wave™



ID	Referencia del kit	Acabado
A	ZZ 94946 0*	Ver más abajo
B	ZZ 93328 0*	Ver más abajo
C	ZZ 96775004	N/A

*Acabado determinado por el sufijo

Acabado	Descripción
APC	Cromo pulido
STN	Níquel satinado

For warranty or additional information, contact:

U.S.A.
houseofrohl.com/support
1-800-777-9762

QUEBEC / MARITIMES / WESTERN CANADA
QUÉBEC / MARITIMES / OUEST CANADIEN
QUEBEC / MARITIMOS / CANADA OCCIDENTAL
houseofrohl.ca/support
1-866-473-8442

ONTARIO
houseofrohl.ca/support
1-800-287-5354