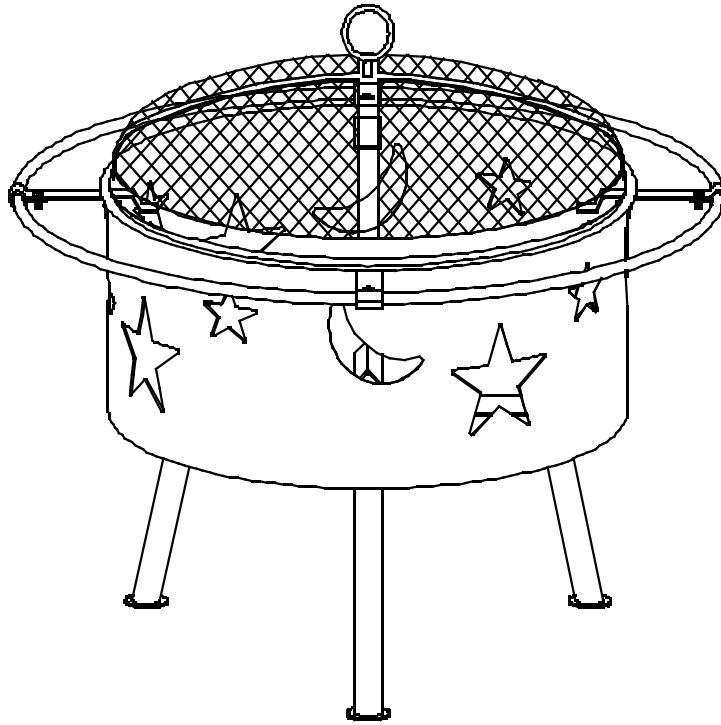


ASSEMBLY INSTRUCTIONS

Star and Moon Steel Wood Burning Round Fire Pit



A Perfect Match!



UPC#: 792057864987



UPC#: 704129159815

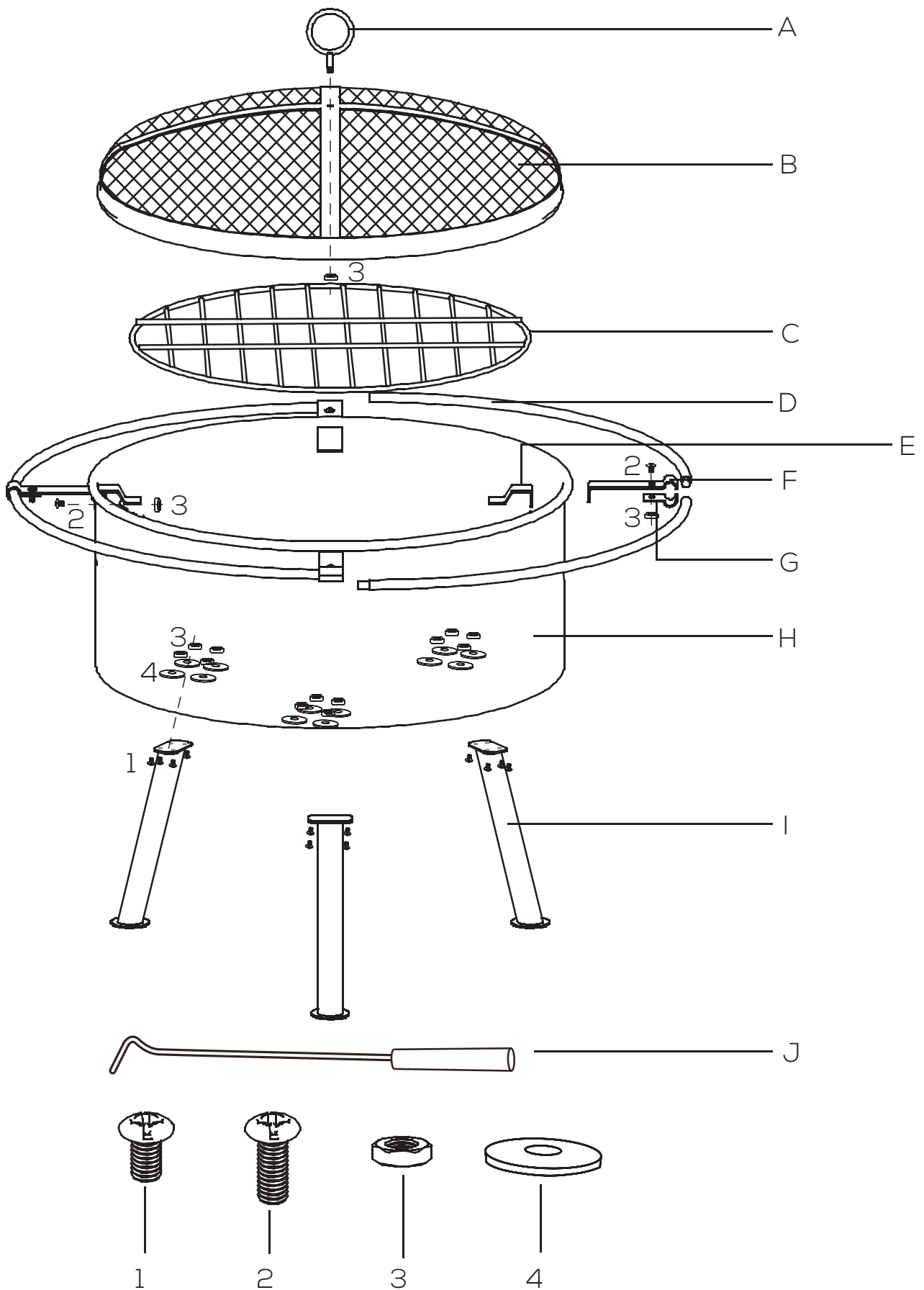


UPC#: 792057864628

Before You Begin

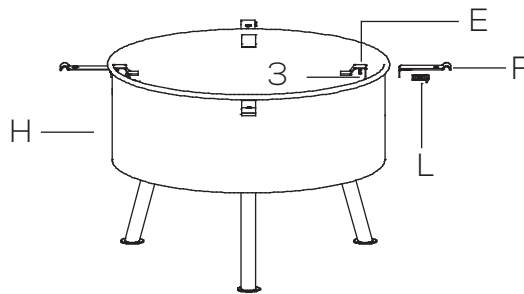
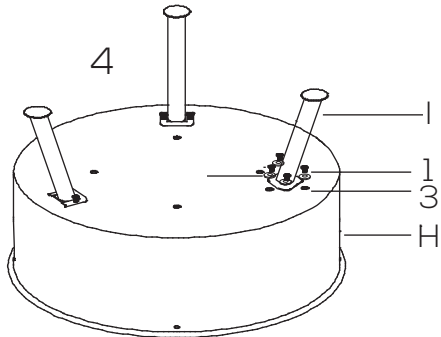
No.	Parts	Qty.
A	Lift handle	1
B	Screen	1
C	Grill	1
D	Decorative rail	4
E	Grill supporter	4
F	Upper connector	4
G	support plate	4
H	Fire bowl	1
I	Leg	3
J	Grill Lifter	1
1	M6×10MM Bolt	12
2	M6×10MM Bolt	8
3	M6 Nut	21
4	Φ6×20MM Washer	12

Before You Begin

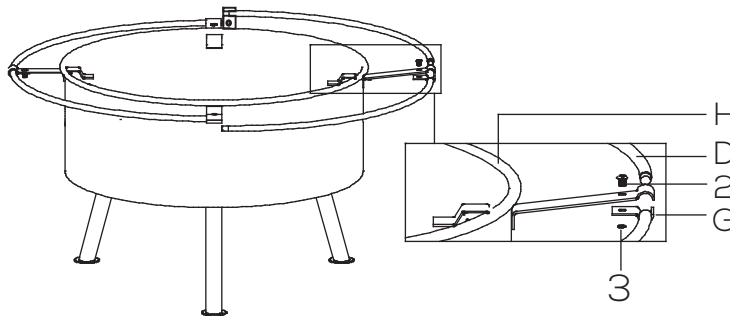


Assembly Instructions

- ⚠ WARNING!** Parts may be heavy. Handle with care. Keep children away from assembly area.
1. Assemble 3pcs legs (I) at the bottom of the fire bowl (H) with 12pcs M6*10MM bolts (1), 12pcs $\Phi 6 \times 20$ MM Washer (4) and 12pcs M6 nuts (3)
 2. Assemble 4pcs grill supporters (E) and 4pcs upper connectors (F) around the fire bowl (H) with 4pcs M6*16MM bolts (2) and 4psc M6 nuts (3).



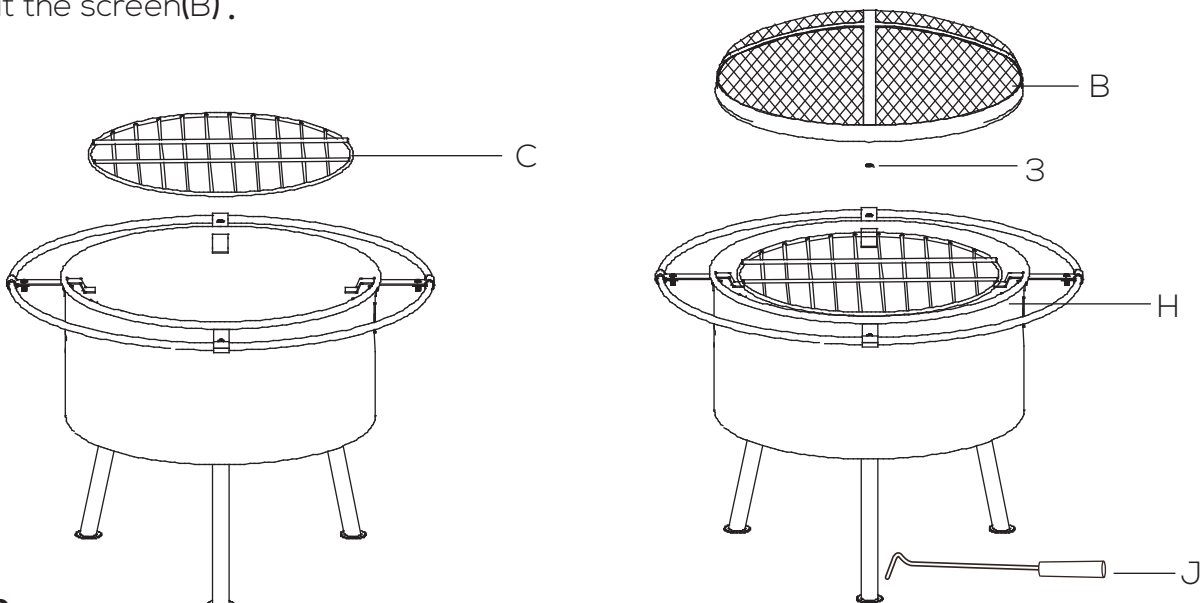
3. Join the two decorative rails (D) together and fit its joint into the arc slot of upper connectors (F), then put in the support plates (G), finally secure them with 1pc M 6 *16MM bolts (2) and 1pc M6 nuts (3). Do the same for the other three parts.



4. Put the grill (c) in the center .

5. Assemble 1pc lift handle (A) with 1pc M6 nut (3) to the screen (B)

6. Put the screen (B) .



NOTES:

- Do not over tighten any of the nuts as this may DAMAGE the threads
- Tighten each nut firmly. ENSURE that the nuts are not CROSS-THREADED, and hand-tighten before commencing.