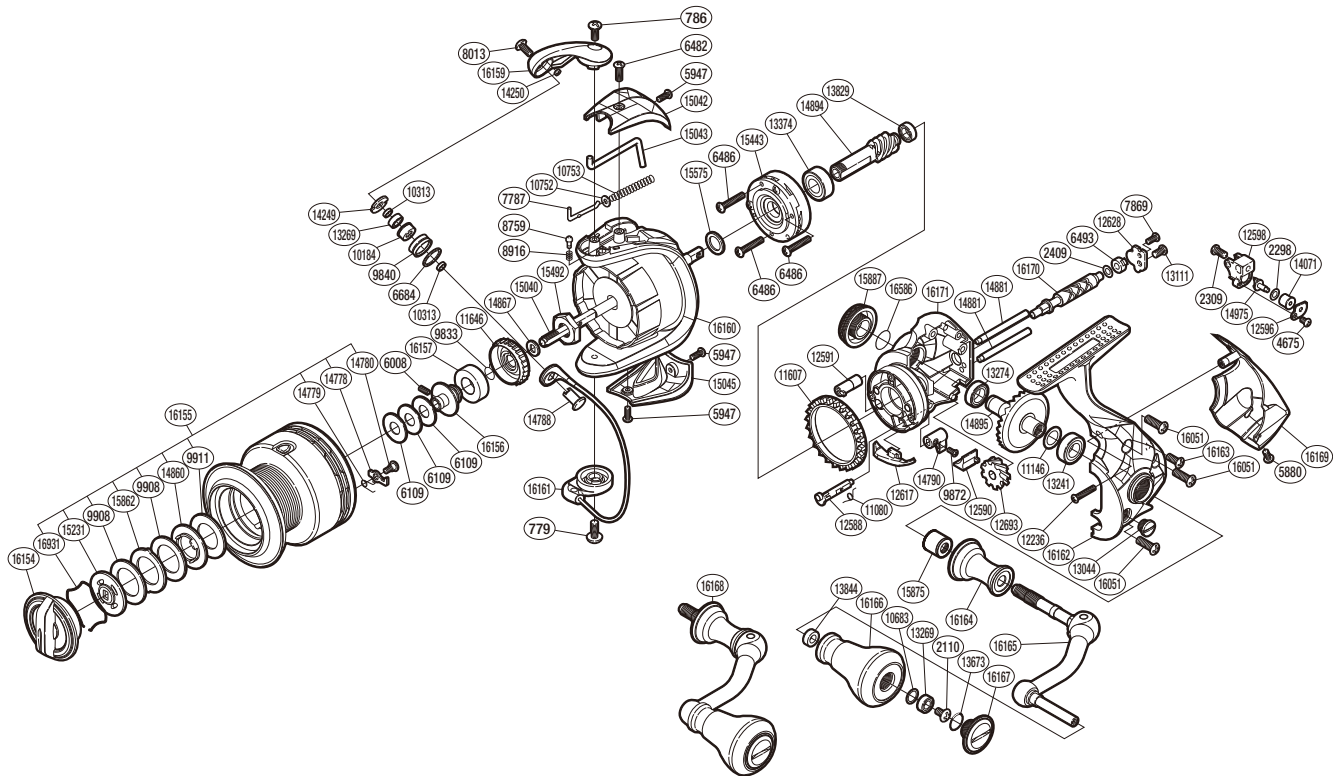


SHIMANO

STRADIC **C14+** SA-RB

STCI4+4000FA



Please note that the number of adjusting washers may not be the same as shown in the exploded views. (Adjustment will vary with each individual product.)

(51SE794001U)

Part No.	Description	Part No.	Description	Part No.	Description
RD 0779	Screw	RD11646	Drag Click Ratchet	RD15040	Main Shaft
RD 0786	Screw	RD12236	Screw	RD15042	Bail Spring Cover
RD 2110	Screw	RD12588	Anti-Reverse Cam	RD15043	Bail Trip Lever
RD 2298	Spacer	RD12590	Anti-Reverse Lever Cover	RD15045	Bail Hold Support Guard
RD 2309	Screw	RD12591	Worm Bushing (front)	RD15231	Key Washer
RD 2409	Spacer	RD12596	Oscillating Pawl Cover	RD15443	Roller Clutch Assembly
RD 4675	Screw	RD12598	Oscillating Slider	RD15492	Rotor Nut
RD 5880	Screw	RD12617	Bail Trip Strike	RD15575	Washer
RD 5947	Screw	RD12628	Worm Shaft Retainer	RD15862	Eared Washer
RD 6008	Set Screw	RD12693	Idle Gear	RD15875	Handle Shaft Cover B
RD 6109	Spool Washer	RD13044	Oil Cap	RD15887	Handle Screw Cap
RD 6482	Screw	RD13111	Screw	RD16051	Screw
RD 6486	Screw	RD13241	Ball Bearing	RD16154	Drag Knob
RD 6493	Worm Bushing (rear)	RD13269	Ball Bearing	RD16155	Spool Assembly
RD 6684	Line Roller Spacer	RD13274	Ball Bearing	RD16156	Bearing Bushing
RD 7787	Bail Spring Guide A	RD13374	Ball Bearing	RD16157	Spool Bushing
RD 7869	Screw	RD13673	O Ring	RD16159	Bail Arm
RD 8013	Screw	RD13829	Ball Bearing	RD16160	Rotor
RD 8759	Click Pin	RD13844	Handle Knob Bushing	RD16161	Bail Assembly
RD 8916	Click Spring	RD14071	Oscillating Slider Bushing	RD16162	Side Cover
RD 9833	Ratchet Spring	RD14249	Line Roller Plate	RD16163	Screw
RD 9840	Line Roller	RD14250	Line Roller Oil Cap	RD16164	Handle Shaft Cover
RD 9872	Screw	RD14778	Drag Click	RD16165	Handle Shank Assembly
RD 9908	Drag Washer	RD14779	Drag Click Spring	RD16166	Handle Knob
RD 9911	Drag Washer	RD14780	Screw	RD16167	Handle Knob Seal
RD10184	Line Roller Bushing	RD14788	Line Roller Support	RD16168	Handle Assembly
RD10313	Bearing Spacer	RD14790	Anti-Reverse Lever	RD16169	Rear Protector
RD10683	Washer	RD14860	Key Washer	RD16170	Worm Shaft
RD10752	Bail Spring Guide A Support	RD14867	Spool Support	RD16171	Body
RD10753	Bail Spring	RD14881	Oscillating Guide	RD16586	O Ring
RD11080	Anti-Reverse Cam Spring	RD14894	Pinion Gear	RD16931	Drag Washers Retainer
RD11146	Washer	RD14895	Drive Gear		
RD11607	Friction Ring	RD14975	Oscillating Pawl		