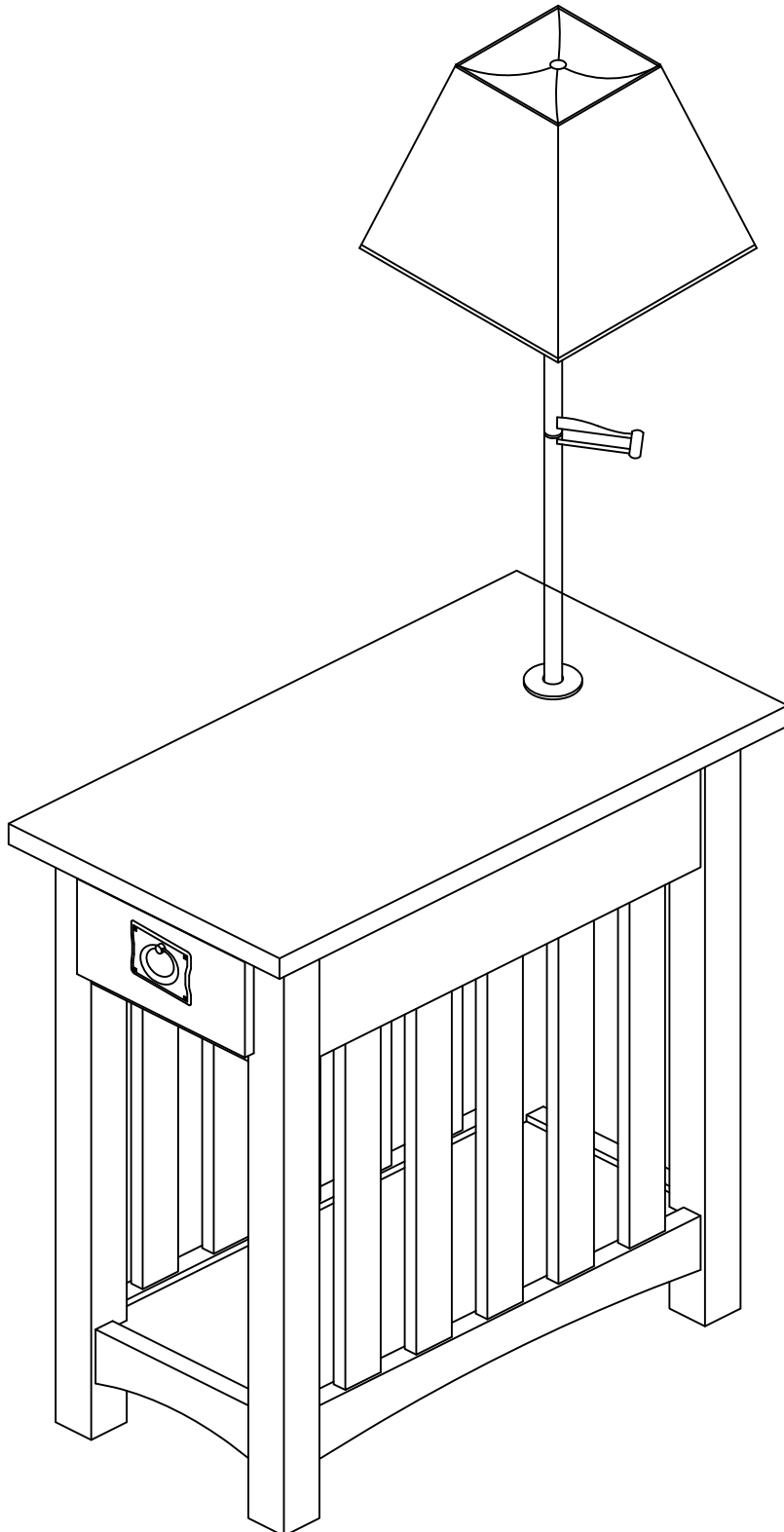


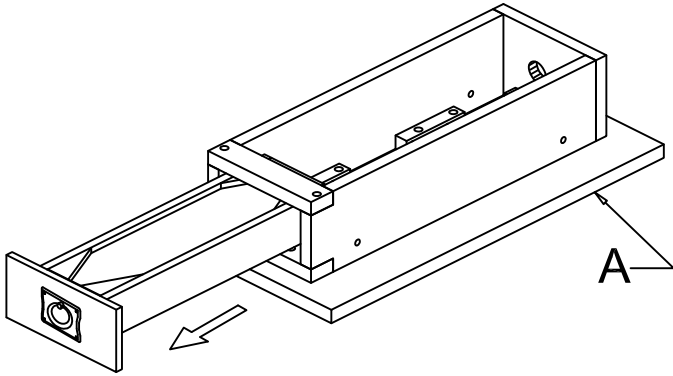
Assembly Instructions, #10028 Side Table



A: Top Assembly	
B: (2) Side Frames	
C: Shelf	
D: (4) Long Bolts	
E: (8) Lock Washers	
F: (8) Flat Washers	
G: Allen Wrench	
H: (4) Short Bolts	
I: Cap	
J: Wrench	

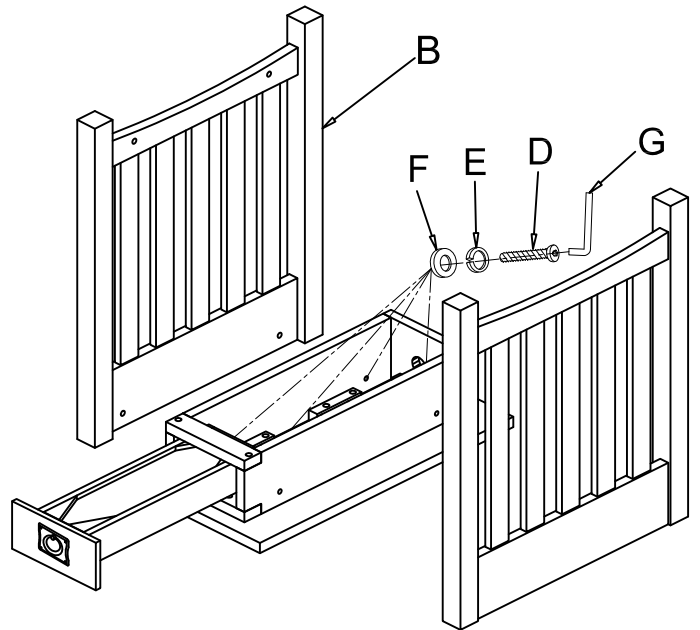
Step 1

Place the top assembly (A) upside down on a soft surface and then open the drawer.



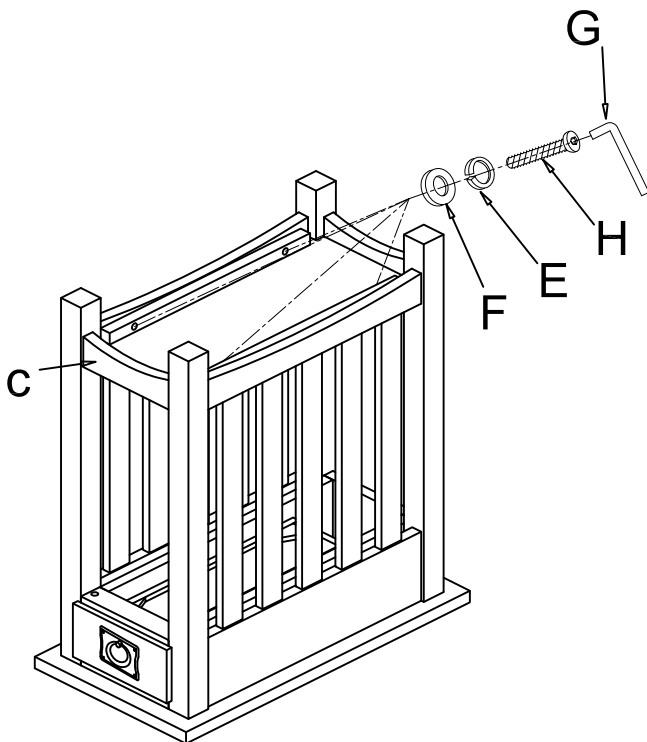
Step 2

Align the threaded holes in the legs with the holes on the aprons and secure in place with the long bolts (D), flat washers (F) and lock washers (E) using the Allen wrench (G).



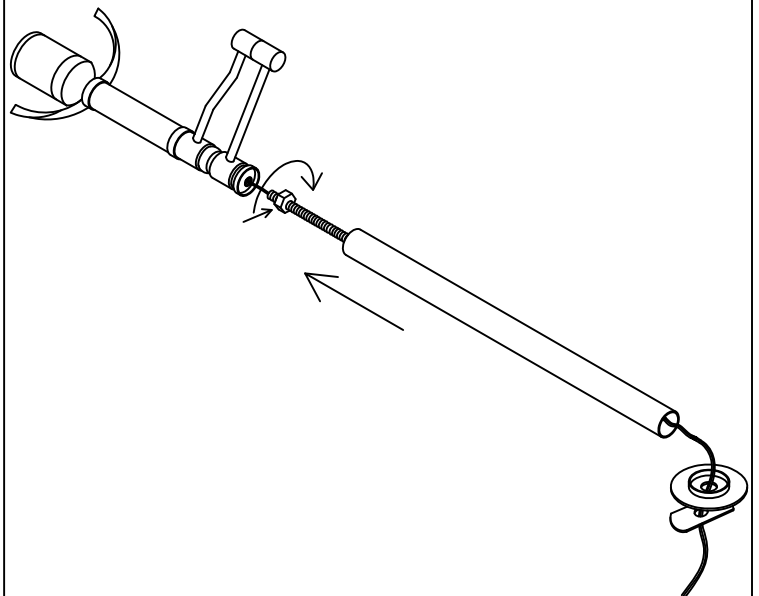
Step 3

Attach the shelf to the side panel by the short bolts (H), flat washers (F), and lock washers (E) using the Allen wrench (G).



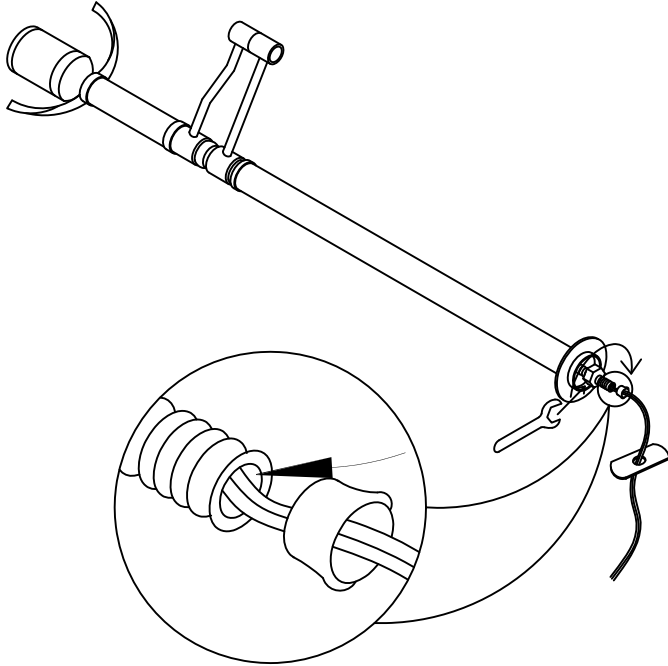
Step 4

Pull on cord from bottom and slide threaded tube up to swing arm. Turn threaded tube in about three rotations and lock down with nut and wrench.



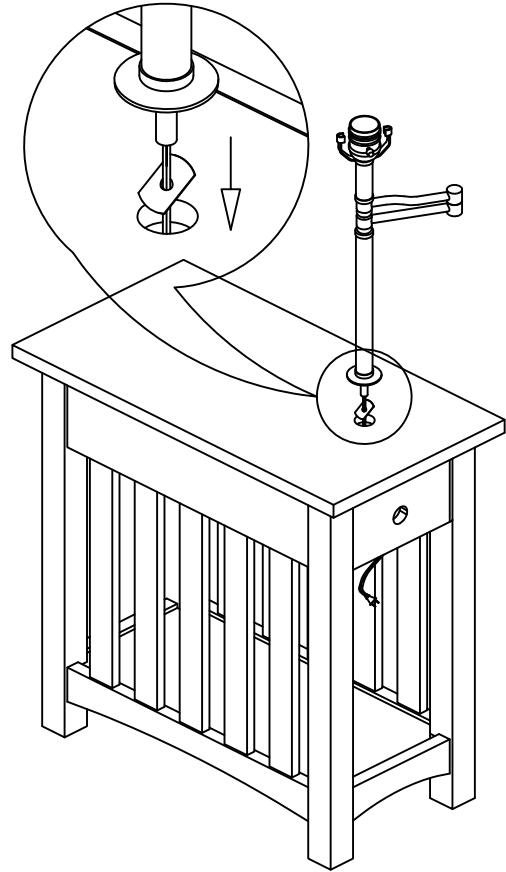
Step 5

Slide plastic insulator up into bottom of threaded tube. Then slide round flange and nut up to post and tighten.



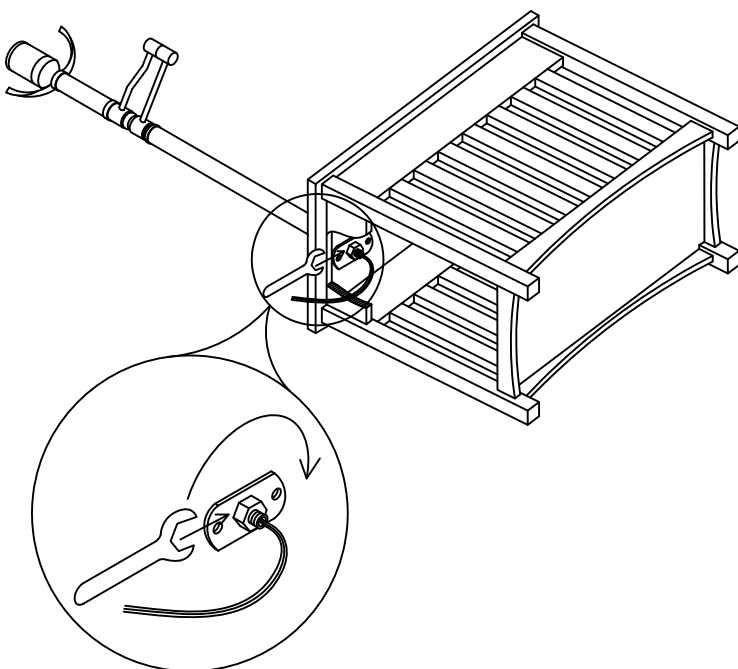
Step 6

Pull the plug / cord and metal bracket through hole in table top.



Step 7

Lay table on it's side. Turn the mounting bracket onto the threaded tube and tighten.



Step 8

Place the harp into the fixture and install shade. Pull cord through hole in back of table and insert grommet into hole.

