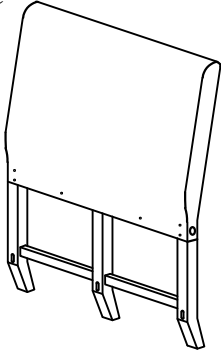

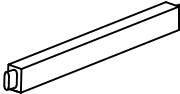
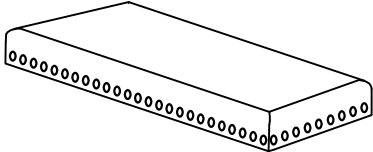
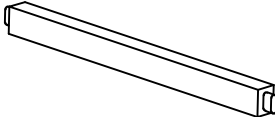
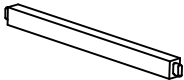
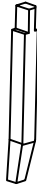
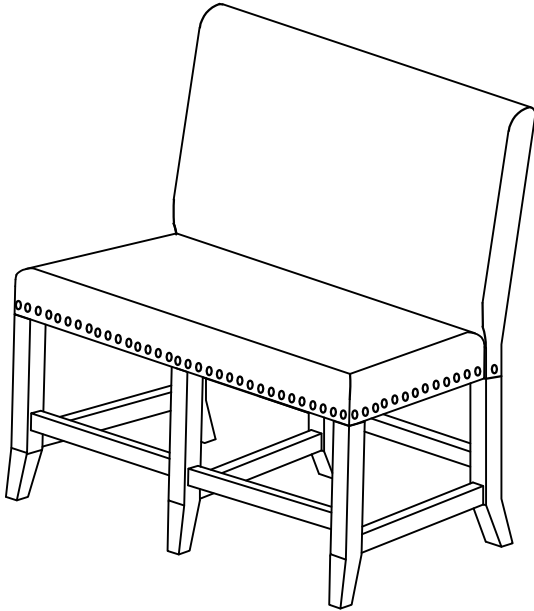

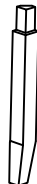
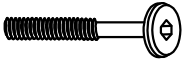
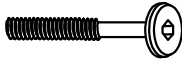
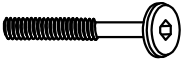




# YOSEMITE BANQUETTE STOOL ASSEMBLY INSTRUCTIONS



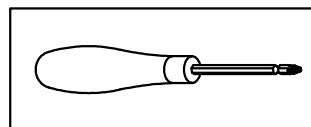
<p>A. BACK FRAME 1 PC</p> 	<p>G. LEFT STRETCHER 1 PC</p> 	<p>H. RIGHT STRETCHER 1 PC</p> 
<p>B. SEAT FRAME 1 PC</p> 		<p>I. MIDDLE STRETCHER 1 PC</p> 
<p>C. FRONT STRETCHERS 2 PCS</p> 	<p>D. MIDDLE LEG 1 PC</p> 	<p>YOSEMITE BANQUETTE STOOL ASSEMBLED</p> 
<p>E. LEFT LEG 1 PC</p> 	<p>F. RIGHT LEG 1 PC</p> 	

## HARDWARE ENCLOSED IN BOX

1 ALLEN BOLT M6 x 40 MM 02 PCS	2 ALLEN BOLT M6 x 50 MM 06 PCS	3 ALLEN BOLT M6 x 70 MM 04 PCS	4 SPRING WASHER M9/11 12 PCS	5 WASHER M9/22 12 PCS
				
6 SCREW M4 x 40 MM 10 PCS			7 ALLEN KEY N4 01 PC	
				

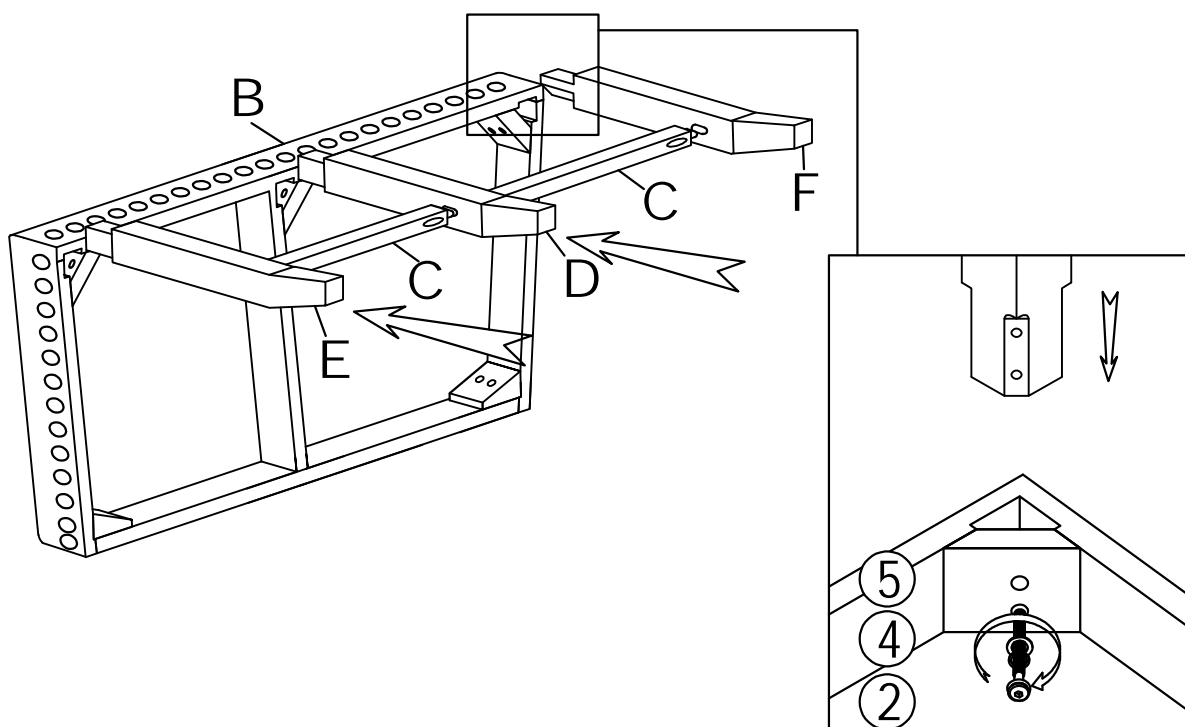
## TOOL REQUIRED

PHILLIPS HEAD SCREW  
DRIVER NOT PROVIDED



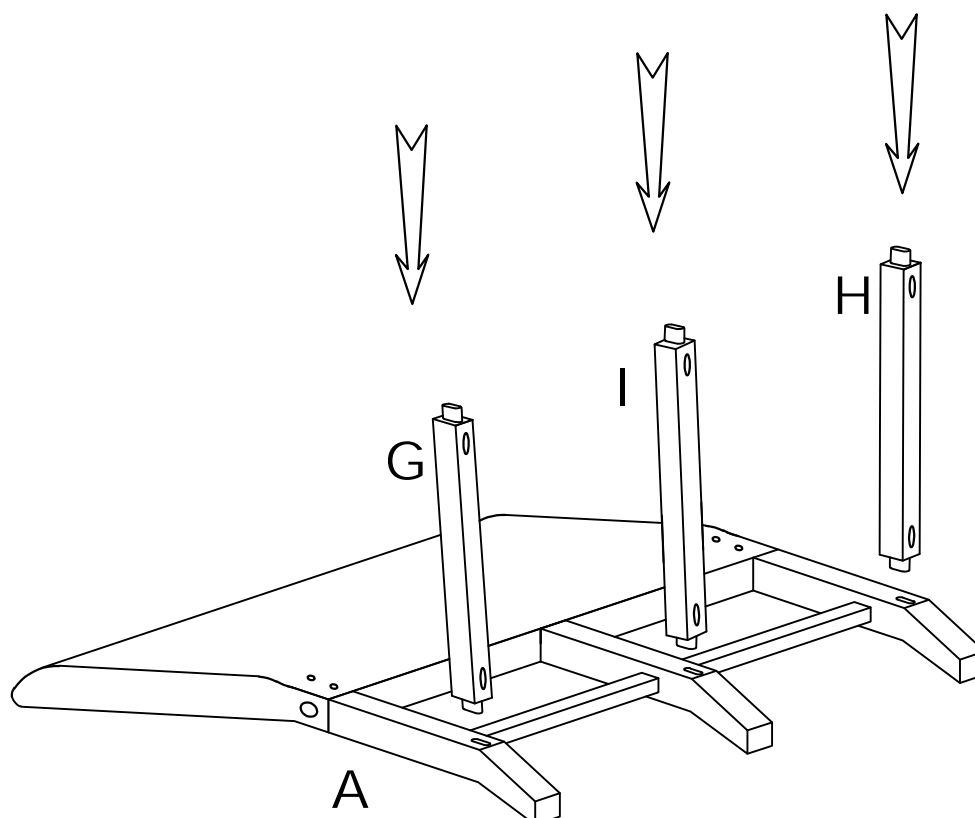
STEP 1:

Insert 3 legs (D,E,F) and stretchers (C) to seat frame (B). Connect them with bolt (2) spring washer (4) and flat washer (5).



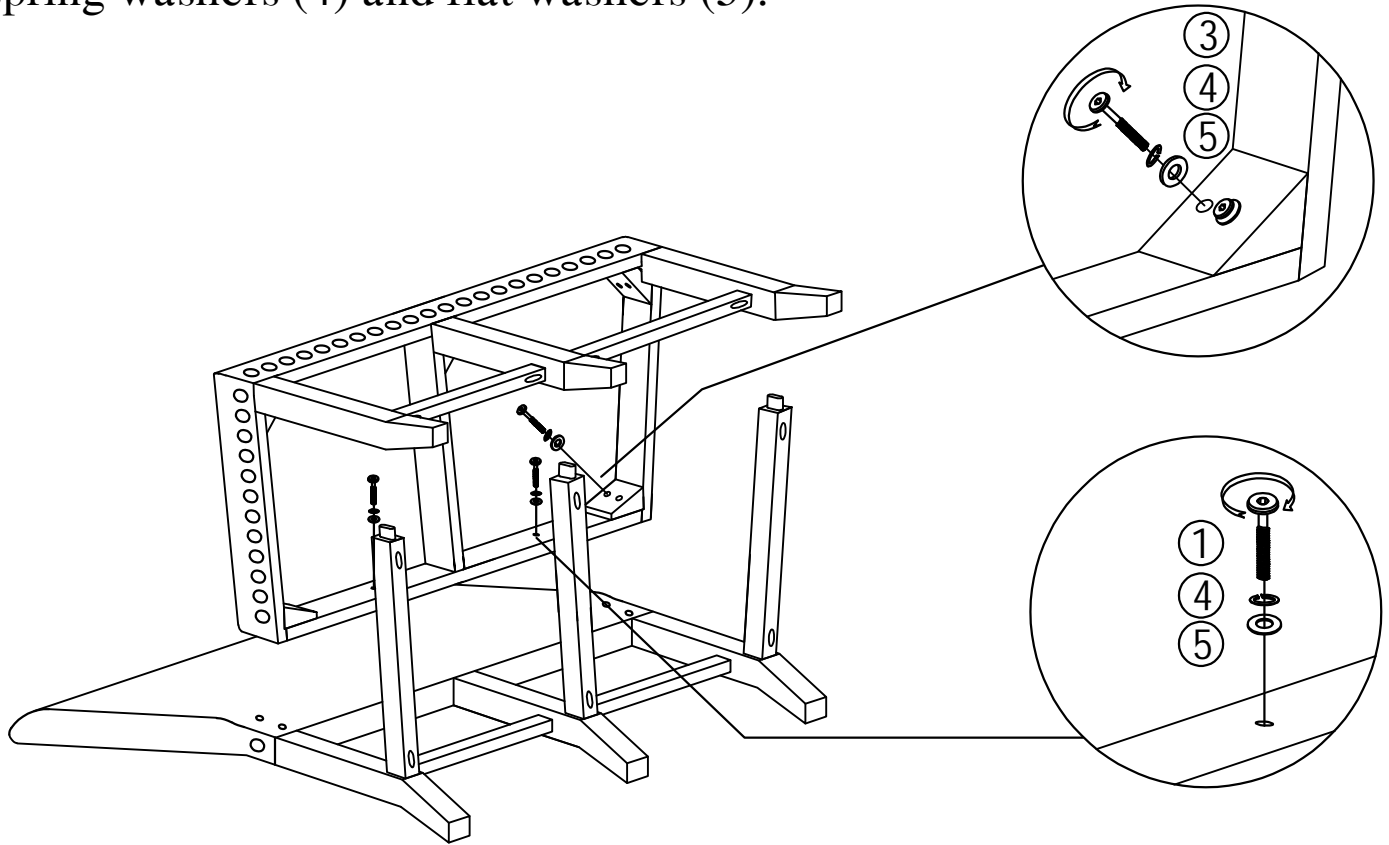
STEP 2:

Attach the stretchers (G), (H), (I) to the back frame (A).



STEP 3:

Connect the seat frame (B) to back frame (A) with bolts (1), (3), spring washers (4) and flat washers (5).



STEP 4:

Connect all the stretchers with screws (6).  
Assembly completed.

