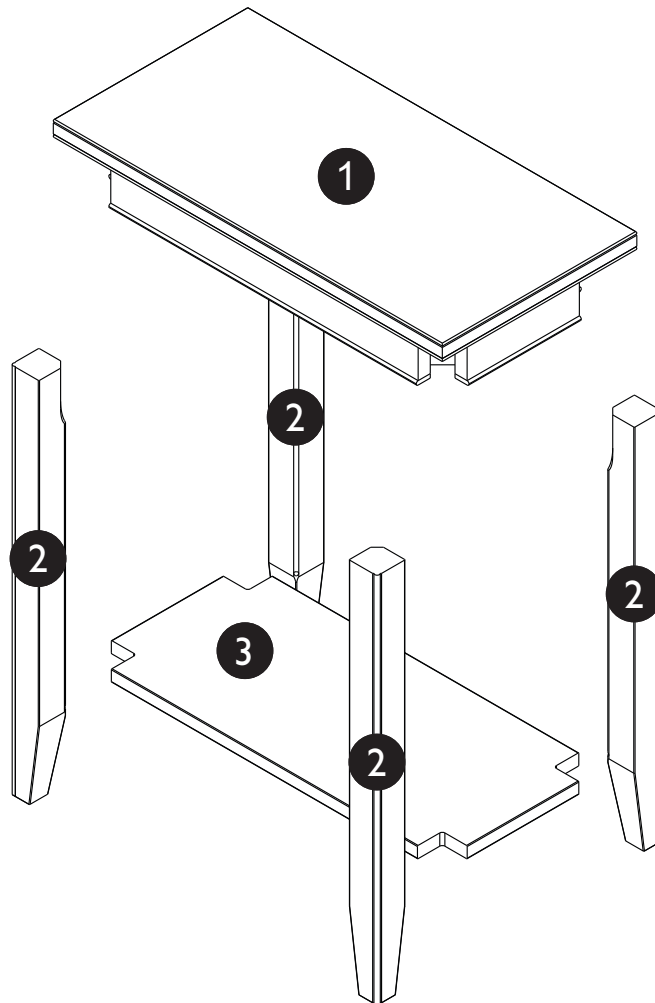


Your new Leick Home table will give you years of trouble-free performance. Thank you for choosing our product for your home. **Please read carefully and save these instructions, as you may need them at a later date.**



PARTS INCLUDED

Please confirm all parts are available before starting assembly.



HARDWARE INCLUDED

Please confirm all hardware are available before starting assembly.

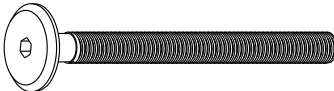
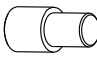
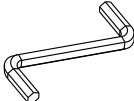
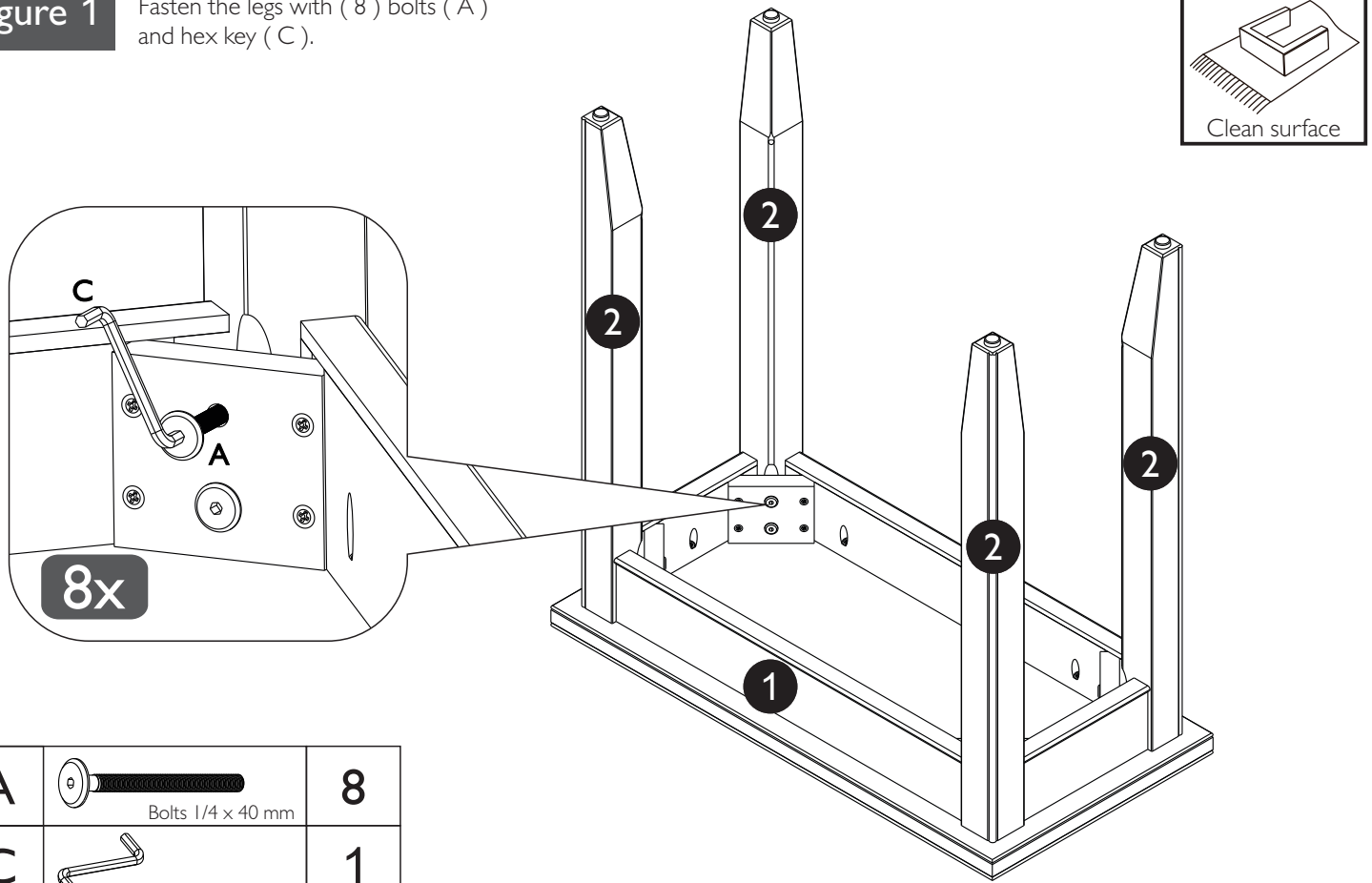
Ref.		Qty.
A	 Bolts 1/4 x 40 mm	8
B	 Shelf Support	4
C	 Hex Key	1

Figure 1 Fasten the legs with (8) bolts (A) and hex key (C).




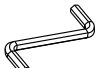
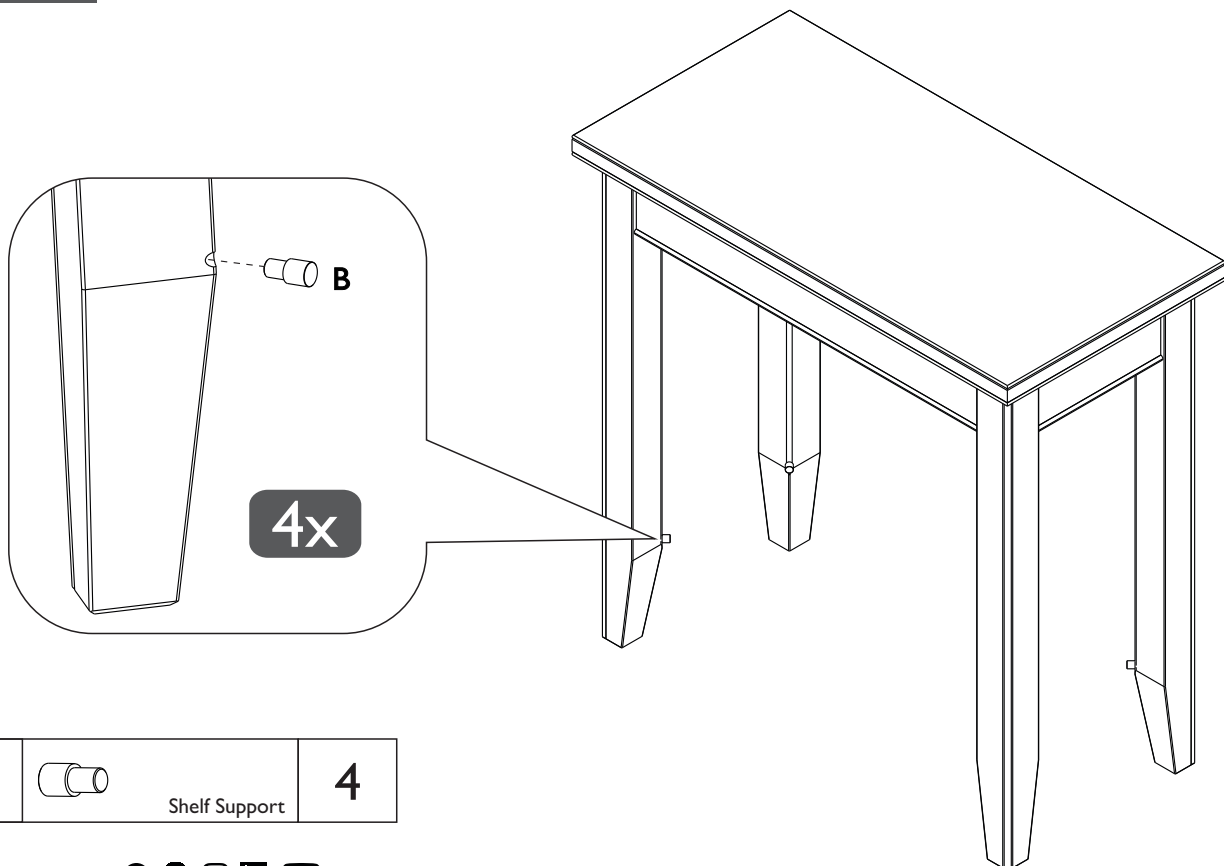
A	 Bolts 1/4 x 40 mm	8
C	 Hex Key	1

Figure 2 Insert the shelf supports into the holes.



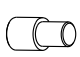
B	 Shelf Support	4
----------	--	----------

Figure 3

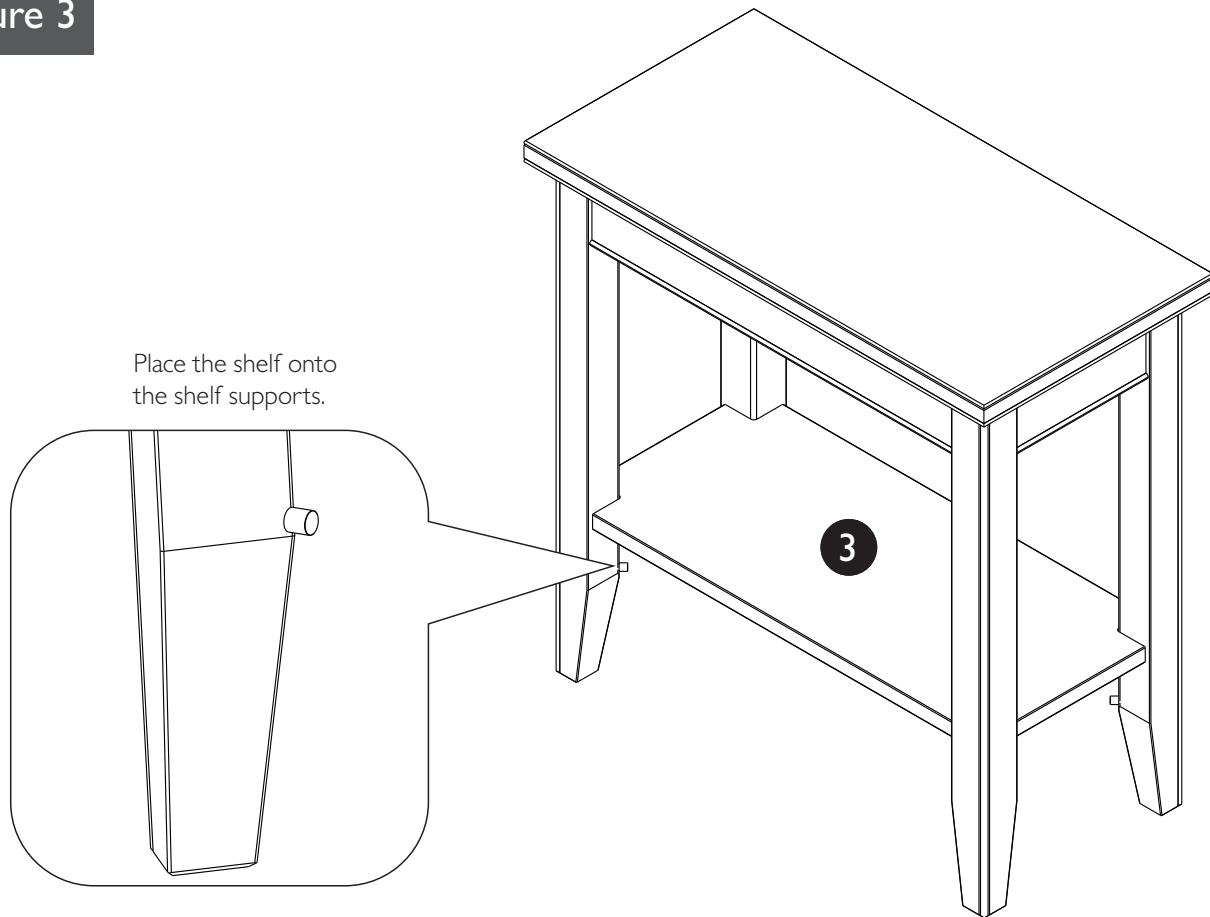
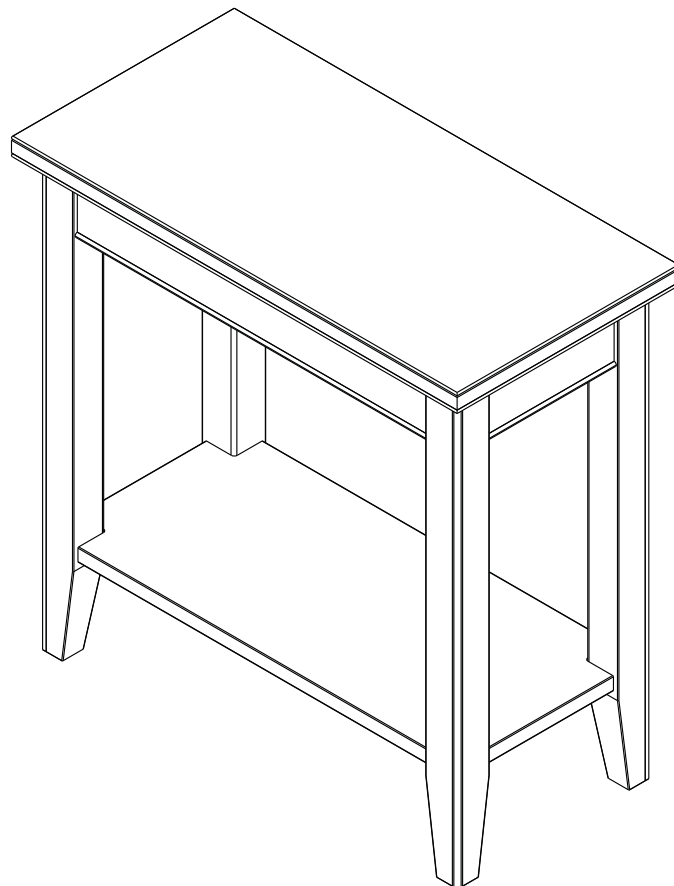


Figure 4



Final Assembly

Follow Us on Social     

Design House Inc. reserves the right to make changes in materials, specifications, & models at any time. Design House Inc. also reserves the right to discontinue product without notice or obligation.