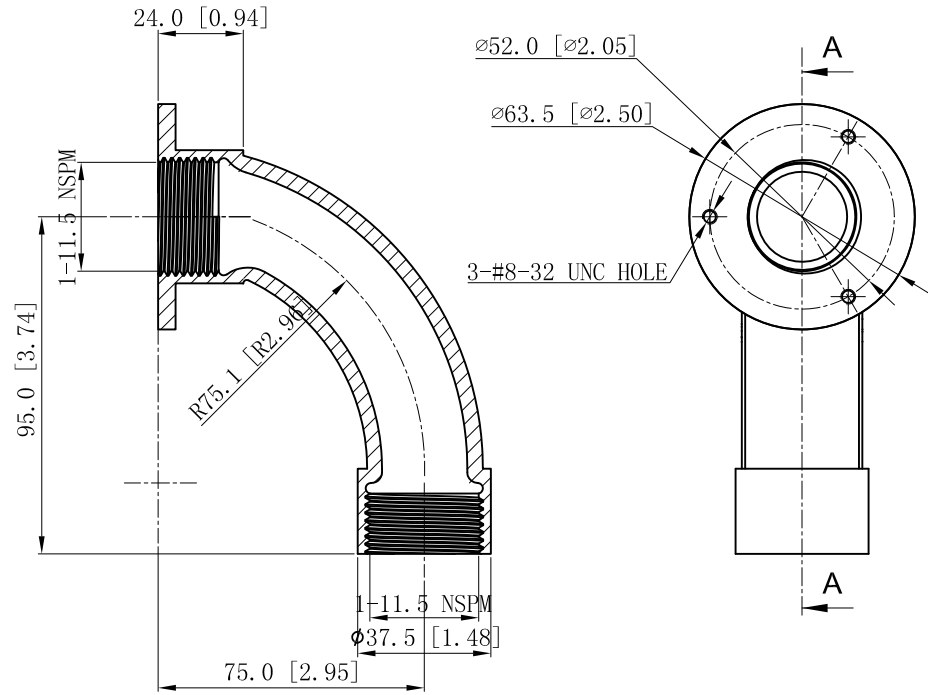
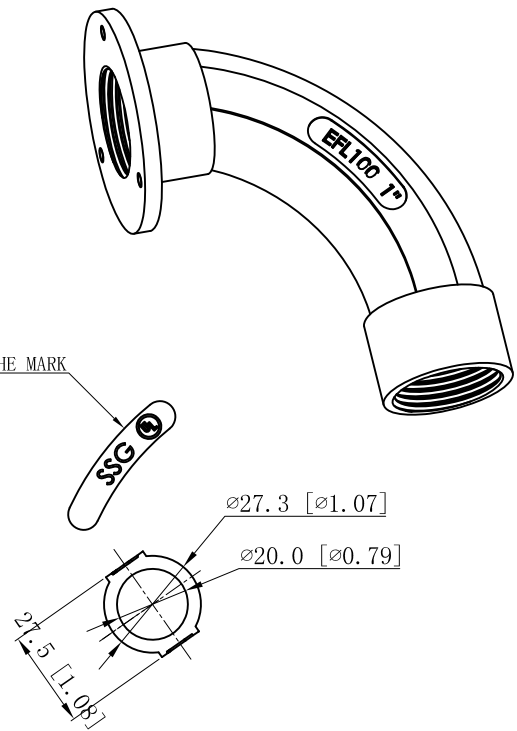
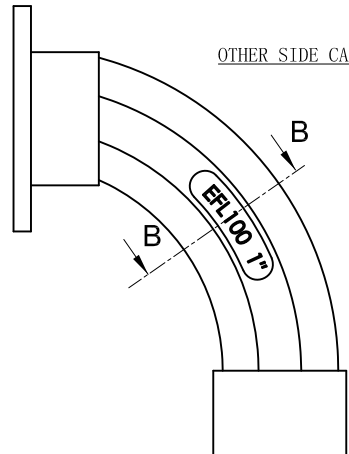
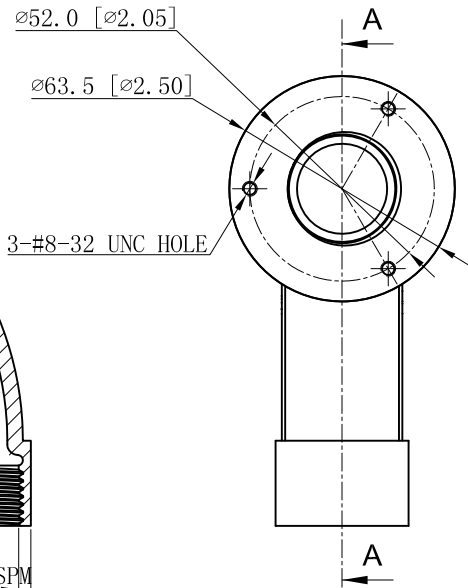


SIDES	BOTTOM
Material: Steel-malleable casting, Zinc plated	



CUTAWAY VIEW A-A



CUTAWAY VIEW B-B

DESCRIPTION
TRADE REFERENCE TERMS

STANDARD PACKING
10 PCS

This data sheet is for reference only .GARVIN INDUSTRIES reserves the right to make changes to the design without prior notice.

<b>GARVIN INDUSTRIES</b>		
ELECTROFORM CONCRETE SLAB PIPE INSERTS		
SIZE A4	DWG NO. EFL100	REV A
DATA SHEET		