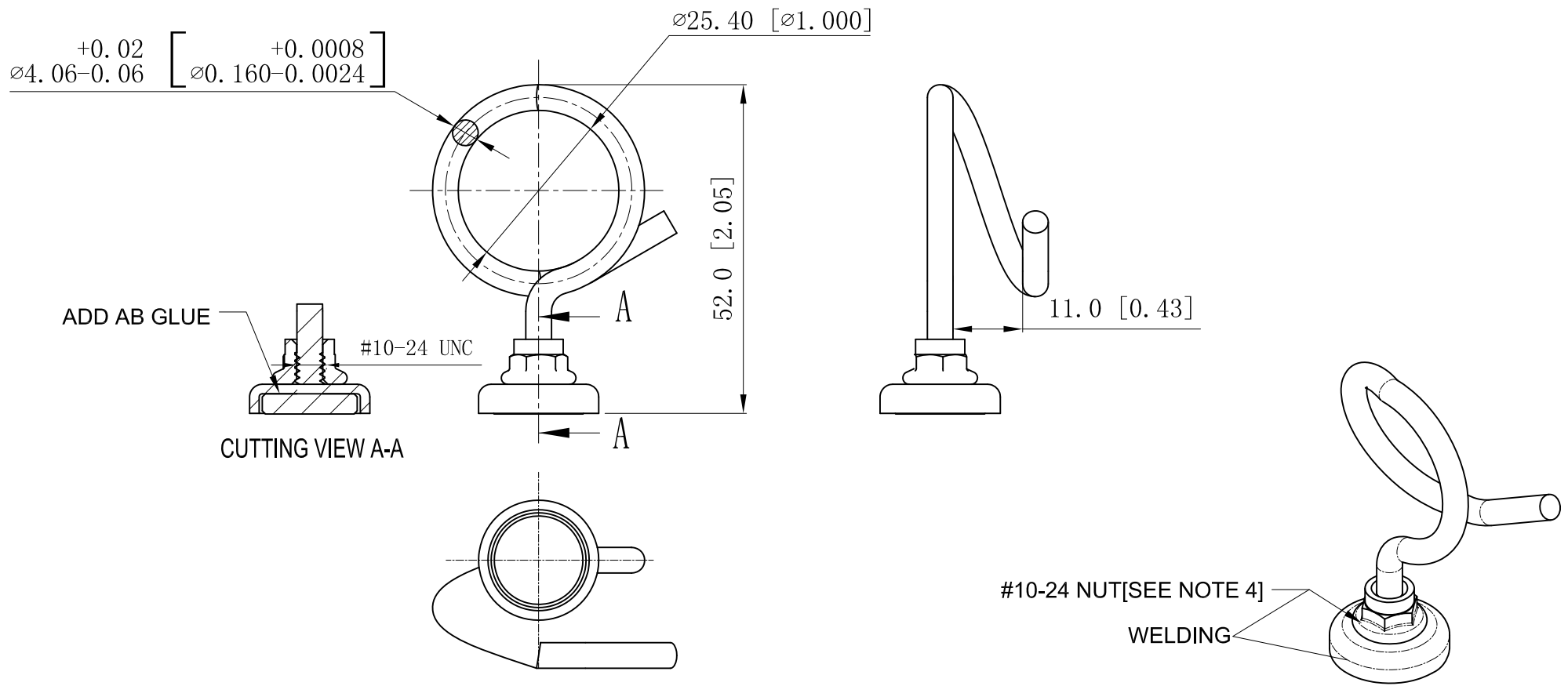


SIDES	BOTTOM
Material: Steel-0.16"-(C1008-C1018)Black powder coating	



This data sheet is for reference only .GARVIN INDUSTRIES reserves the right to make changes to the design without prior notice.

DESCRIPTION
TRADE REFERENCE TERMS

STANDARD PACKING	GARVIN INDUSTRIES		
	TITLE MACHINE-SCREW BRIDLE RIGS		
	SIZE A4	DWG NO. BRM-100BK	REV
DATA SHEET			