



Thank you for purchasing Leick Furniture products.
Contact customer service for comments or concerns.

Sheboygan, WI

920-451-4060

info@leickhome.com

www.leickhome.com

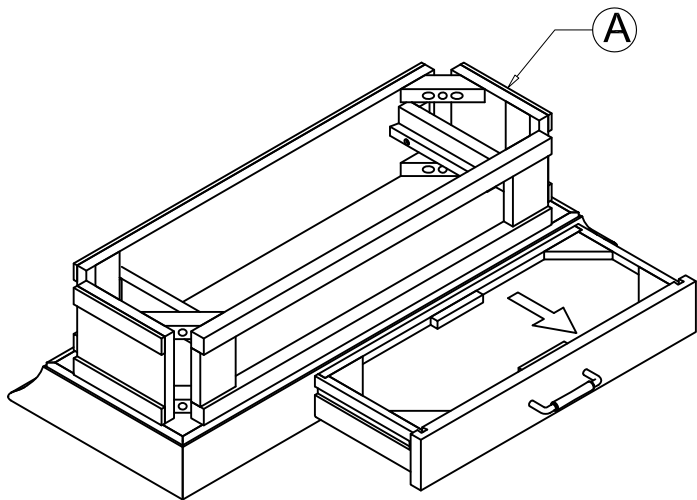
Assembly Instructions, #10127 Traditional Cherry Tray Edge Hall Stand



A: Top Assembly	
B: (4) Legs	
C: Shelf	
D: (8) Bolts	
E: (8) Flat Washers	
F: (8) Lock Washers	
G: Allen Wrench	
H: (4) Shelf Supports	

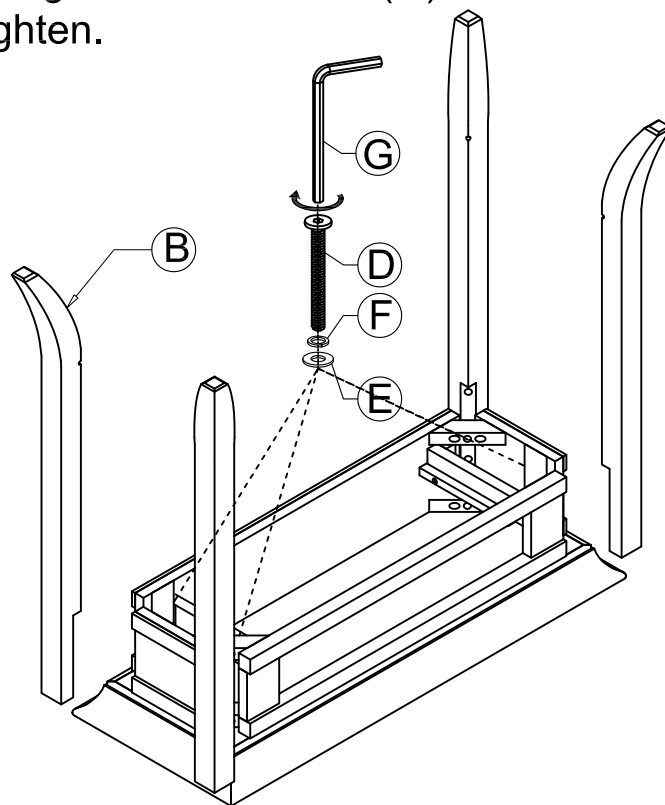
Step 1

Place the top assembly (A) upside down on a soft surface and remove the drawer .



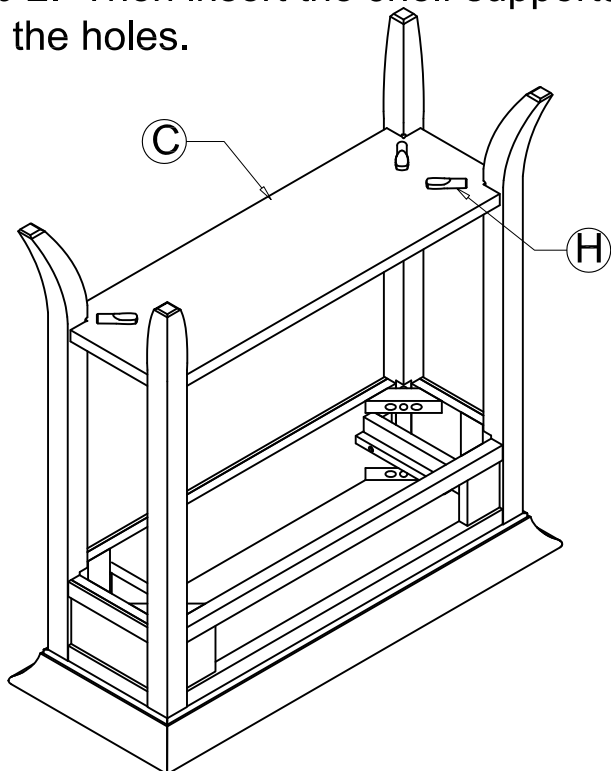
Step 2

Fasten the legs with (8) bolts, flat washers (E), and lock washers (F) using the Allen wrench(G). Do not tighten.



Step 3

Put the shelf upside down on legs until below the leg shelf holes, hold the shelf with a hand and tighten all bolts in step 2. Then insert the shelf supports into the holes.



Step 4

Put the table right side up. Tap the shelf to the shelf supports and put the drawer back into the table.

