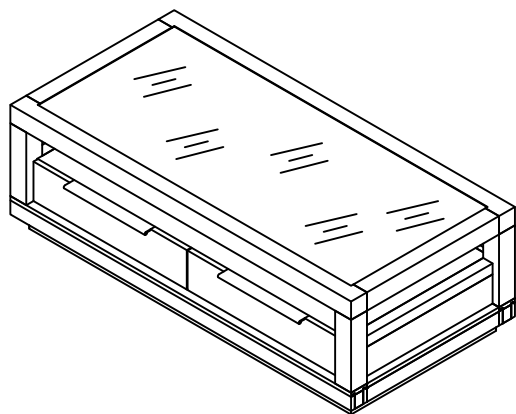


# OXFORD COFFEE TABLE ASSEMBLY INSTRUCTIONS

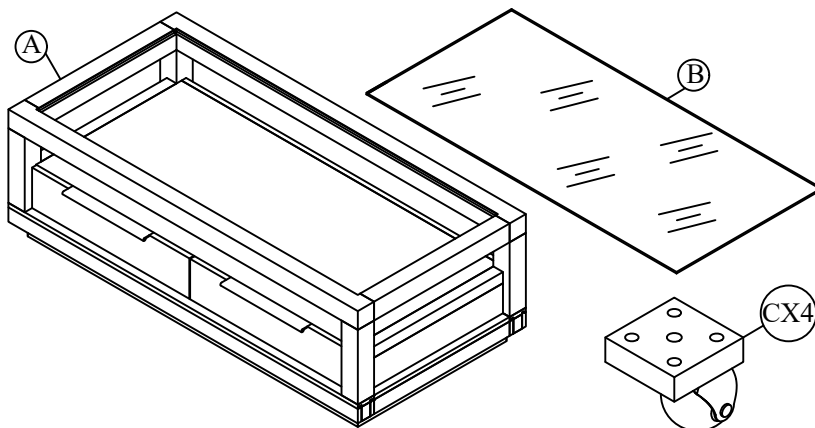


## PARTS AND HARDWARE PACKAGING DETAIL

### OXFORD COFFEE TABLE ASSEMBLED



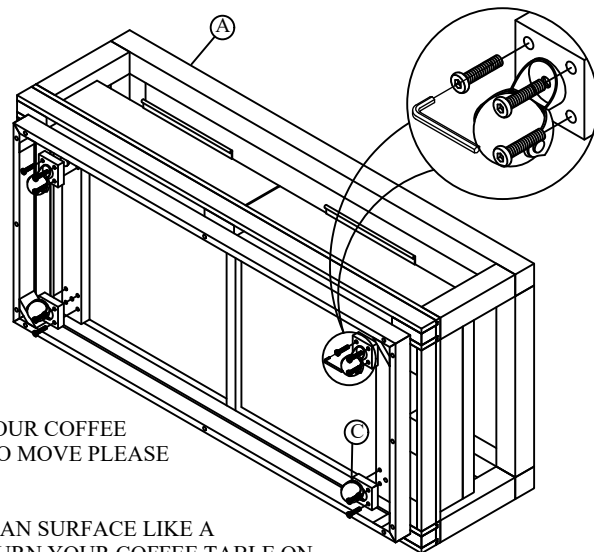
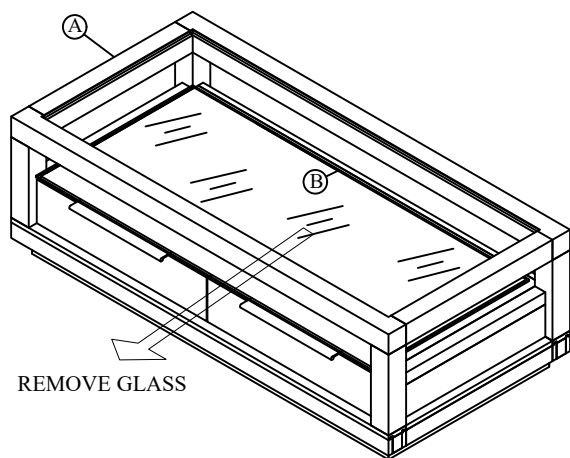
### PACKING CONFIGURATION



### HARDWARE LIST

1.ALLEN BOLT ( M6X38 )		16 PCS
2.ALLEN KEY		1PC

STEP 1: CAREFULLY CUT THE STRAPS  
SECURING THE GLASS PANEL TO THE  
COFFEE TABLE.



**OPTIONAL STEP**  
IF YOU WOULD LIKE YOUR COFFEE  
TABLE TO BE EASIER TO MOVE PLEASE  
FOLLOW STEP 2.

STEP 2: ON A FLAT, CLEAN SURFACE LIKE A  
BLANKET OR TOWEL TURN YOUR COFFEE TABLE ON  
ITS SIDE OR COMPLETELY UPSIDE DOWN. CONNECT THE  
CASTERS (C) TO THE MOUNTING BLOCKS WITH FOUR M6X38 ALLEN BOLTS PER  
CASTER. TIGHTEN COMPLETELY WITH THE PROVIDED ALLEN KEY AND WITH  
THE HELP OF A SECOND PERSON, TURN THE COFFEE TABLE RIGHT SIDE UP.

STEP 3: WITH THE HELP OF A SECOND  
PERSON, POSITION THE GLASS PANEL  
ONTO THE TOP OF THE COFFEE TABLE.

