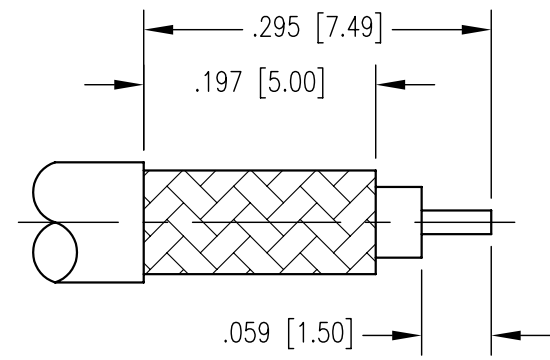
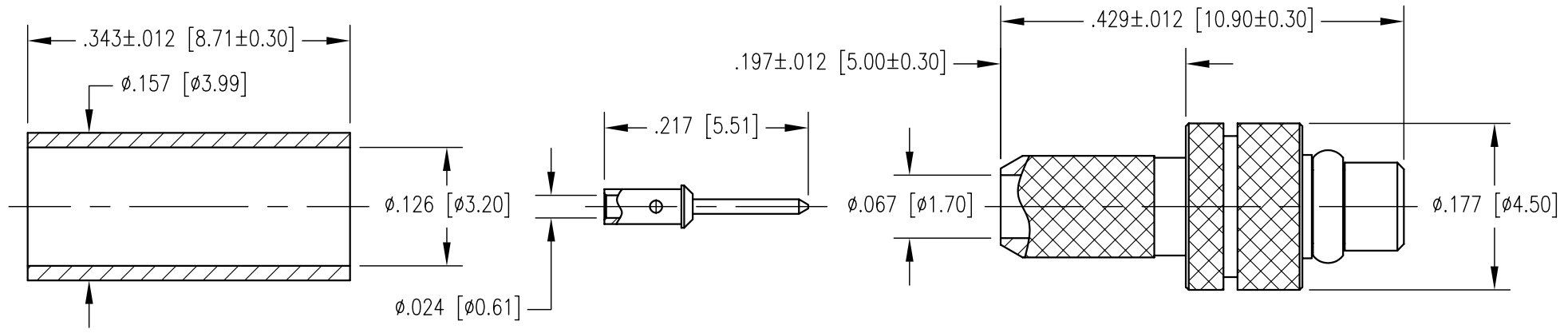


REV	DESCRIPTION	BY DATE	APPD
C	ECR 8080	JED 3/29/04	KJT



CABLE TRIMMING DIMENSIONS

NOTES:

- MATERIALS:  
 CLIP RING: BERYLLIUM COPPER  
 ALL OTHER METAL PARTS: BRASS  
 INSULATOR: TEFLON
- FINISH:  
 CENTER CONTACT: .000030 MIN. GOLD OVER NICKEL  
 ALL OTHER METAL PARTS: GOLD PLATE
- DESIGNED FOR USE WITH RG-316 CABLE OR EQUIVALENT.
- FOR CABLING PROCEDURES USE CAP CM-03 WITH TRIMMING DIMENSIONS SHOWN.

PER ASME Y14.5M-1994 UNLESS OTHERWISE SPECIFIED: DIMENSIONS ARE IN INCHES [MM]		<b>NORTHROP GRUMMAN</b>	
TOLERANCES: DECIMALS .xx ± .01 [0.254] .xxx ± .005 [0.127] ANGLES ± 2°		Winchester Electronics 62 Barnes Industrial Road North Wallingford, CT 06492	
<b>CUSTOMER DRAWING</b>		TITLE MMCX STRAIGHT PLUG	
DRAWN JED	DATE 10/5/00	CHECKED JH	DATE 10/5/00
APPROVED JMC	DATE 10/5/00	APPROVED KJT	DATE 10/5/00
<b>A</b>		SD470-900-0630Y	SHT. OF REV. 1 1 C