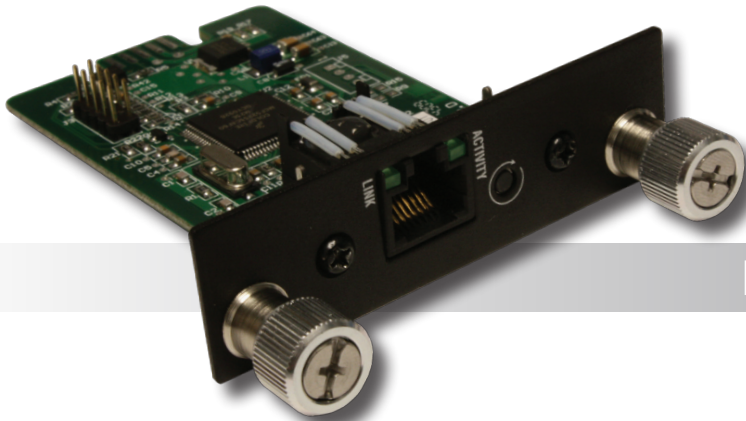


YOUR GATEWAY TO

BlueBOLT™



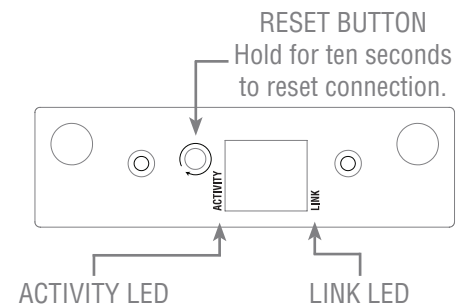
BlueBOLT-CV1 Network Interface Card

The BlueBOLT-CV1 Interface Card plugs in to select Panamax/Furman products and provides access to BlueBOLT™ cloud based remote power management technology. Each BlueBOLT-CV1 card includes a unique MAC address and identification number allowing you to create a BlueBOLT account or add a compatible unit to an existing account.

The BlueBOLT-CV1 is completely plug-and-play – no static IP addresses to set up or ports to configure. Simply plug the card into a compatible device, connect it to the Internet, register the unit, and you're ready to go!

With BlueBOLT's web-based interface you can:

- Control individual outlets or outlet banks
- Monitor your devices and power status
- Receive E-mail alerts for power events
- Schedule tasks such as power on, off, and reboot
- Manage multiple devices across multiple locations
- Utilize device-specific features for your compatible product



BlueBOLT-CV1 Network Interface Card Panel.

The BlueBOLT-CV1 works with any BlueBOLT-Compatible Panamax or Furman product. Look for the BlueBOLT logo:



on select Panamax/Furman products, or visit www.mybluebolt.com/compatibility for a list of compatible power management solutions.

BlueBOLT-CV1 Network Interface Card Specifications:

Networking: 10/100Base-T Ethernet
Power consumption: 1W (3.3V x 300mA)
Regulatory Approval: FCC part 15, Class B device
Supported Protocols: HTTP (port 80*), Telnet (Port 23*),*or user defined
Dimensions: 3.15" W x 4.0" L x 0.9" H
Weight: 0.1lb (1.6 oz)
UPC Code: 050616008679

PANAMAX FURMAN
Advanced AC Power Management Solutions



*For more information about BlueBOLT, visit www.mybluebolt.com

www.panamax.com • www.furmansound.com