



Trac 12/25 and Trac 12™ Systems

Miniature low voltage systems for linear and accent lighting

JUNO®

Juno® Trac 12/25 and Trac 12™ System Comparisons

The original Trac 12 and the rigid profile, higher amperage Trac 12/25 systems each offer unique features and advantages that are best suited for particular applications. Both systems accept the full complement of Trac 12 linear, spotlight and decorative pendant fixtures.

Trac 12/25

Trac 12/25 offers a rigid aluminum profile and an increased 25-amp capacity that make it ideally suited for general display lighting and longer cove lighting runs. The rigid profile requires fewer installation mounting points, holds straight and true over long runs, and can be surface or pendant mounted. The increased 25-amp capacity allows more fixtures per run of track, which can reduce the installed system cost.

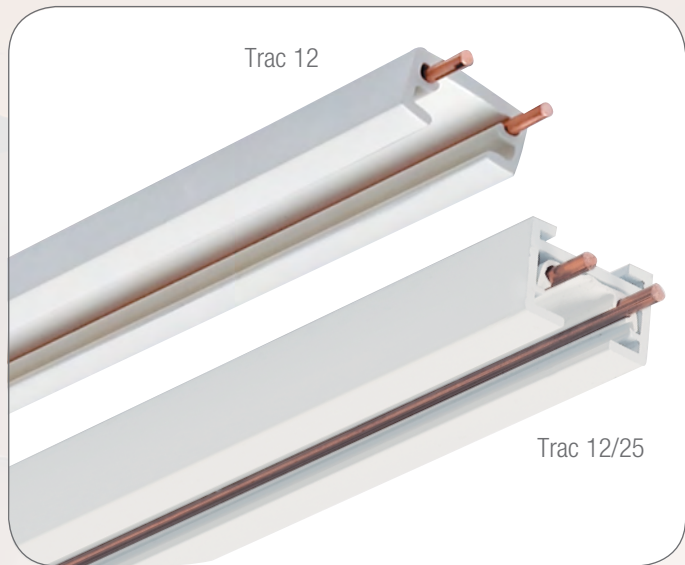
Key Features

- 25 amps per circuit: 300 watts at 12 volts or 600 watts at 24 volts
- Miniature 5/8"H x 15/16"W rigid aluminum profile
- For surface or suspended mounting
- White, black or silver finish

Best Applications

- Ceiling or pendant mounted track display lighting
- Longer linear lighting cove or casework runs up to 600 watts





Trac 12™

Trac 12 is the original extruded thermoplastic 20-amp system that Juno introduced when it first pioneered the concept of miniature low voltage track. It is optimized for cabinetry, coves, kick-spaces, undercabinet, special displays, exhibits and other confined spaces where minimal size is required, either because the track must be concealed from view or is being mounted closer to eye level.

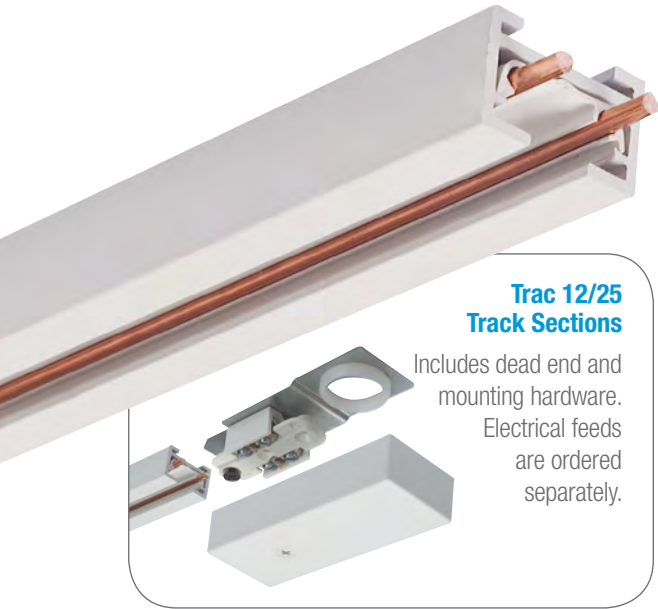
Key Features

- 20 amps maximum per circuit: 240 watts at 12 volts or 480 watts at 24 volts
- Ultra-miniature 3/8"H x 3/4"W thermoplastic profile
- Surface mounting only
- White or black finish

Best Applications

- Linear lighting in or around cabinetry and casework
- Shorter cove lighting runs up to 480 watts
- Displays, exhibits and kiosks where short track runs are mounted closer to eye level

Juno® Trac 12/25 Low Voltage Track System



Trac 12/25 Track Sections

Includes dead end and mounting hardware. Electrical feeds are ordered separately.

Electrical feeds for Trac 12/25 are ordered separately.

Trac 12/25 combines the 25-amp capacity of 10-gauge conductors with a miniature, rigid profile that can be surface mounted or pendant suspended. The system operates using remotely located 12-volt or 24-volt transformers. A maximum of 300 watts (12 volts) or 600 watts (24 volts) can be placed per circuit of track.

Key Features

- 10-gauge solid copper conductors with 25-amp capacity
- Rigid aluminum miniature 5/8"H x 15/16"W profile
- Accepts all standard Trac 12 lampholders
- Can be surface or pendant mounted
- White, black or silver finish
- Can be cut to length by installer

Cat. No.	Description	Finishes	Dimensions
TLVR 2FT	2' Track (actual length 20-5/8")	BL Black	
TLVR 4FT	4' Track (actual length 44-5/8")	WH White	
TLVR 6FT	6' Track (actual length 68-5/8")	SL Silver	
TLVR 8FT	8' Track (actual length 92-5/8")		

Electrical Feeds and Dead End



TLR21 End Feed Connector and Outlet Box Cover

Allows track to be fed via remote transformer from an outlet box. Includes terminal block, cover and mounting plate.
Finishes: **BL** Black, **WH** White, **SL** Silver



TLR38 End Feed Connector

Allows track to be fed via remote transformer from top using standard electrical connectors. Includes terminal block connector and cover.
Finishes: **BL** Black, **WH** White, **SL** Silver



TLR34 End Feed Connector and Conduit Feed

Allows track to be fed via remote transformer with conduit through the end or top using standard 1/2" electrical connectors. Includes terminal block feed connector, mounting plate and cover.
Finishes: **BL** Black, **WH** White, **SL** Silver



TLR36 Outlet Box/T-Bar Ceiling Canopy

Mounts over outlet boxes or on T-bar ceiling to feed up to four tracks via a remote transformer. Includes one TLR36TB, mounting plate and cover. To feed more than one track, order additional TLR36TB connectors. Requires TLR37 for T-bar installation.
Finishes: **BL** Black, **WH** White, **SL** Silver



TLR36TB Terminal Block Connector

Finishes: **BL** Black, **WH** White



TLR28 Dead End

Dead end to use on extra field-cut track sections.
Finishes: **BL** Black, **WH** White, **SL** Silver



TLR50 Pendant Feed End Connector

For use in conjunction with TLR90/91 Pendant Stem assemblies to feed power into end of track. Includes terminal block connector, support plate and cover.
Finishes: **BL** Black, **WH** White, **SL** Silver

Joiners and T-Bar Attachment Clips



TLR23 Miniature Straight Connector
Joins two track sections end-to-end.
Includes terminal block joiner and cover.
Finishes: **BL** Black, **WH** White, **SL** Silver



TLR24 Adjustable Connector
Joins two track sections to form a 90-degree corner or straight coupling.
Includes two terminal block connectors, joiner wires and both 90-degree and straight covers.
Finishes: **BL** Black, **WH** White, **SL** Silver



TLR20 Accordion Adjustable Joiner
Joins two track sections at variable angles to left, right, up or down. Includes two terminal block connectors, joiner wires and covers.
Finishes: **BL** Black, **WH** White, **SL** Silver



TLR37 T-Bar Attachment Clip
To attach track to inverted 15/16" T-bar ceiling runner. Compatible with either flush tile or drop tile installations.

TLR37916 T-Bar Attachment Clip
Same as above but for 9/16" inverted tee.

Pendant Mounting Accessories



Pendant Stem Feed & Mechanical Support

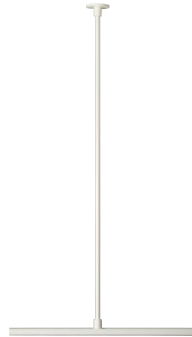
TLR90* T-Bar Ceilings
TLR91* Rigid Ceilings

STEM LENGTHS:

-12 12"
-18 18"
-24 24"
-36 36"
-48 48"

Finishes: **BL** Black,
WH White, **SL** Silver

Ordering Example:
TLR90 12IN WH*



Pendant Stem Mechanical Support

TLR92

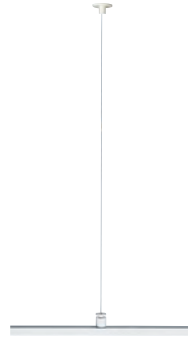
Designed for use on rigid ceilings or 15/16 T-bar ceilings.

STEM LENGTHS:

-12 12"
-18 18"
-24 24"
-36 36"
-48 48"

Finishes: **BL** Black,
WH White, **SL** Silver

Ordering Example:
TLR92 18IN BL



Stainless Steel Cable Mechanical Support

TLR95

Designed for use on rigid ceilings or 15/16 T-bar ceilings.

CABLE LENGTHS:

-48 48"
-144 144"

Finishes: **BL** Black,
WH White, **SL** Silver

Ordering Example:
TLR95 144IN WH



Stainless Steel Cable Feed & Mechanical Support

TLR96*

Designed for use on rigid ceilings only.

CABLE LENGTHS:

-48 48"
-144 144"

Finishes: **BL** Black,
WH White, **SL** Silver

Ordering Example:
TLR96 48IN SL*

**Order TLR50 pendant end-feed connector separately. Use 2 supports for each 2', 4' or 6' section of track, 3 supports for each 8' section of track. Stainless steel cable recommended only for track patterns, not straight runs.*

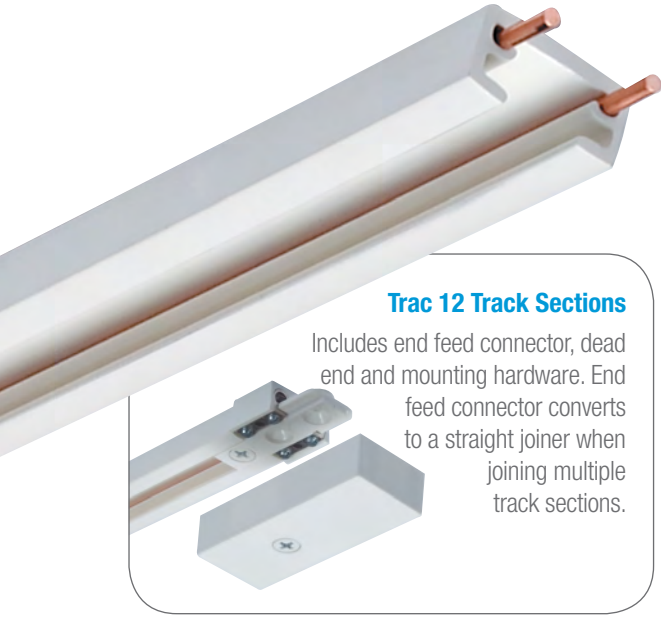


T96 Pendant Stem Coupling
Joins pendant stems for use in higher ceiling applications.
Finishes: **BL** Black, **WH** White, **SL** Silver



T94 Sloped Ceiling Adapter
Permits pendant stems to be hung vertically from sloped ceilings. Used in conjunction with TLR90, TLR91 or TLR92 Ceiling Canopies (not included). Allows feeding of wires to track at up to a 60 degree angle. Accommodates a maximum of two 12 gauge solid THHN copper wires. 20-amp capacity.
Finishes: **BL** Black, **WH** White, **SL** Silver

Juno® Trac 12™ Low Voltage Track System



Trac 12 Track Sections

Includes end feed connector, dead end and mounting hardware. End feed connector converts to a straight joiner when joining multiple track sections.

Trac 12 is the original miniature, surface mount, low voltage system that combines a 20-amp capacity with an extremely small, engineered-plastic profile. The system operates using remotely located or in-line 12-volt or 24-volt transformers. A maximum of 240 watts (12 volts) or 480 watts (24 volts) can be placed per circuit of track.

Key Features

- 12-gauge solid copper conductors with 20-amp capacity
- Engineered thermoplastic, ultra-miniature 3/8"H x 3/4"W profile
- Accepts all standard Trac 12 lampholders
- White or black finish
- Can be cut to length by installer

Cat. No.	Description	Finishes	Dimensions
TLV 2FT	2' Track (actual length 20-5/8")	BL Black	
TLV 4FT	4' Track (actual length 44-5/8")	WH White	
TLV 6FT	6' Track (actual length 68-5/8")		
TLV 8FT	8' Track (actual length 92-5/8")		

Electrical Feeds



TL38 End Feed Connector/Straight Joiner with Dead End

For use with field cut-off track sections. Includes terminal block connector with cover and dead end. Terminal block connector also serves as a straight joiner to join two track sections.

Finishes: **BL** Black, **WH** White



TL34 End Feed Connector for Conduit

Allows track to be fed via remote transformer with conduit through the end or top using standard electrical connectors. Includes mounting plate, surface conduit adapter and cover.

Finishes: **BL** Black, **WH** White



TL21 Outlet Box Cover/T-Bar Ceiling Canopy

May be mounted over outlet boxes or on T-bar ceiling runners to feed up to four track sections via a remote transformer. Includes mounting plate and cover with four breakouts. Requires TLR37 for T-bar ceiling installation.

Finishes: **BL** Black, **WH** White

Joiner Connectors



TL24 Right Angle Joiner

Joins two track sections end-to-end. Includes terminal block joiner and cover.

Finishes: **BL** Black, **WH** White



TL20 Adjustable Joiner

Joins two track sections at variable angles to left, right, up or down. Includes one terminal block connector with cover and 4" flexible joiner cable.

Finishes: **BL** Black, **WH** White

Mounting Accessories



TLR37 T-Bar Attachment Clip

To attach track to inverted 15/16" T-bar ceiling runner. Compatible with either flush tile or drop tile installations.

TLR37916 T-Bar Attachment Clip

Same as above but for 9/16" inverted tee.

Electronic Transformers

Direct Wire Transformer (Incandescent-Compatible Only)



TL546 150-Watt Canopy Transformer

Canopy mount electronic 12-volt transformer for incandescent loads between 50-150 watts. Mounts over standard 120-volt ceiling outlet boxes and can end-feed one track section or center feed two track sections.

Note: This is not a floating feed and is not suitable for use with Trac 12/25. Dimmable. Recommended for track runs up to 20 feet max.

Dimensions: 2-1/8"H x 4-3/4"W x 5"L

Finishes: **BL** Black, **WH** White



TL547 150-Watt Surface Transformer

Low profile electronic 12-volt transformer for incandescent loads between 50-150 watts. May be installed in-line with track (Trac 12 only) or remotely mounted up to 5' away (Trac 12 or Track 12/25). 120-volt supply can be fed into end or top using standard 1/2" electrical connectors. Includes on/off push button switch. Dimmable. Recommended for track runs up to 20 feet max.

Dimensions: 1-5/8"H x 2-1/2"W x 7"L

Finishes: **BL** Black, **WH** White

Direct Wire Transformer (LED-Compatible)



TL566 LED 100-Watt Canopy Transformer

Canopy mount electric 12-volt transformer for LED or incandescent loads between 0-100 watts. Mounts over standard 120-volt ceiling outlet boxes and can end-feed one track section or center feed two track sections. Supplied with mounting plate. **Note:** This is not a floating feed and is not suitable for use with Trac 12/25. Dimmable. Recommended for track runs up to 20 feet max.

Dimensions: 2-1/8"H x 4-3/4"W x 5"L

Finishes: **BL** Black, **WH** White



TL567 LED 100-Watt Surface Transformer

Low profile electronic 12-volt transformer for incandescent loads between 50-150 watts. May be installed in-line with track (Trac 12 only) or remotely mounted up to 5' away (Trac 12 or Track 12/25). 120-volt supply can be fed into end or top using standard 1/2" electrical connectors. Includes on/off push button switch. Dimmable. Recommended for track runs up to 20 feet max.

Dimensions: 1-5/8"H x 2-1/2"W x 7"L

Finishes: **BL** Black, **WH** White



TL548 LED 60-Watt Plug-In Transformer

Plug-in electronic 12V transformer for LED or incandescent loads between 0.5-60 watts. Includes 10', 2-wire cord and integral on/off switch. May be used with Trac 12 or Trac 12/25 track.

Dimensions: 3-1/2"H x 2"W

Finishes: **BL** Black, **WH** White



TL544 LED 150-Watt Surface Transformer

Surface mount electronic 12-volt transformer for LED or incandescent loads up to 60 watts. Includes 6', 3-wire cord and plug, 4-1/2" leads with mating connector for TL43 monopoint and on/off switch. Recommended for track runs up to 20 feet max.

Dimensions: 1-3/8"H x 2"W x 4-7/8"L

Finishes: **BL** Black, **WH** White

Electronic Transformers

12V Electronic Transformers (LED-Compatible)

Trac 12 LED-compatible electronic driver/transformers are compact and lightweight – and thus ideal for mounting in close proximity to the track. They are designed for 120-volt input and may be dimmed using a variety of factory-approved dimmers for use with a non-resistive LED load. See specification sheet for a list of approved dimmers. These driver/transformers are recommended for track run lengths not exceeding 21 feet. TL601E is supplied with 18" jacketed secondary wire; TL602E has an open slot in the housing for Class 2 secondary wires to exit. While specifically designed for use with Trac 12 LED luminaires, these electronic transformers are compatible with all Trac 12 low voltage luminaires including incandescent. Consult factory for other available wattages.



12V Transformers (Trac 12 & Trac 12/25 – LED or Halogen-Compatible)

Cat. No.	Output Voltage/ Input Voltage	Total Wattage	Number Of Circuits Recommended Wattage Range Per Circuit	Dimensions
TL601E 10W 120 12AC WH	12V/120V	10W	1 / 0.5-10W	5-1/2"L x 1-1/2"W x 1"D
TL601E 10W 120 12AC BL	12V/120V	10W	1 / 0.5-10W	5-1/2"L x 1-1/2"W x 1"D
TL601E 25W 120 12AC WH	12V/120V	25W	1 / 0.5-25W	5-1/2"L x 1-1/2"W x 1"D
TL601E 25W 120 12AC BL	12V/120V	25W	1 / 0.5-25W	5-1/2"L x 1-1/2"W x 1"D
TL601E 60W 120 12AC WH	12V/120V	60W	1 / 0.5-60W	5-1/2"L x 1-1/2"W x 1"D
TL601E 60W 120 12AC BL	12V/120V	60W	1 / 0.5-60W	5-1/2"L x 1-1/2"W x 1"D
TL601E 75W 120 12AC WH	12V/120V	75W	1 / 0.5-75W	5-1/2"L x 1-1/2"W x 1"D
TL601E 75W 120 12AC BL	12V/120V	75W	1 / 0.5-75W	5-1/2"L x 1-1/2"W x 1"D
TL602E 10W 120 12AC WH	12V/120V	10W	1 / 0.5-10W	5-1/2"L x 1-1/2"W x 1-1/16"D
TL602E 25W 120 12AC WH	12V/120V	25W	1 / 0.5-25W	5-1/2"L x 1-1/2"W x 1-1/16"D
TL602E 60W 120 12AC WH	12V/120V	60W	1 / 0.5-60W	5-1/2"L x 1-1/2"W x 1-1/16"D

NOTE: TL601E & TL602E transformers are available with a 6-foot cord and plug option. For cord and plug installation, add 6CP to catalog number prior to finish. **Example: TL601E 75W 120 12AC 6CP BL**

Magnetic Transformers

Remote Mount Magnetic Transformers

Remote Mount Magnetic Transformers are designed to be installed in remote locations such as basements, attics, plenums and electrical closets. The location must be accessible and well ventilated with ambient temperatures below 140°F. 12-volt transformers are typically used for spotlighting applications due to the ready availability of 12-volt MR11 and MR16 lamps. 24-volt transformers double the wattage capacity versus a 12-volt system and are more commonly selected for incandescent linear lighting due to their capacity for longer runs per circuit. These transformers are designed for either 120-volt or 277-volt input, and have premium resettable magnetic circuit breakers, dual-tap standard boost tap primary input leads to adjust for voltage drop and may be dimmed using factory-approved dimmers. See specification sheets for dimming recommendations. Primary and secondary circuits are physically and electrically isolated and grounded. TF Series transformers have terminal block connections while TL Series transformers have wire nut connections. Remote Mount Magnetic Transformers are compatible with all Trac 12 low voltage luminaires including halogen and LED (12V transformers only).



12V Transformers (Trac 12/25 Only – LED or Halogen-Compatible)

Cat. No.	Output Voltage/ Input Voltage	Total Wattage	Number Of Circuits Recommended Wattage Range Per Circuit	Dimensions
MAGXFMR 1C 300W 120 12AC BL	12V/120V	300W	1 / 150-300W	10-3/4"H x 4-3/8"W x 4-1/8"D
MAGXFMR 1C 300W 277 12AC BL	12V/277V	300W	1 / 150-300W	10-3/4"H x 4-3/8"W x 4-1/8"D
MAGXFMR 2C 600W 120 12AC BL	12V/120V	600W	2 / 150-300W	11-3/8"H x 5-3/8"W x 5-1/8"D
MAGXFMR 2C 600W 277 12AC BL	12V/277V	600W	2 / 150-300W	11-3/8"H x 5-3/8"W x 5-1/8"D

24V Transformers (Trac 12/25 Only – Halogen-Compatible)

Cat. No.	Output Voltage/ Input Voltage	Total Wattage	Number Of Circuits Recommended Wattage Range Per Circuit	Dimensions
MAGXFMR 1C 600W 120 24AC BL	24V/120V	600W	1 / 300-600W	11-1/2"H x 5-3/8"W x 5-1/8"D
MAGXFMR 2C 1200W 120 24AC BL	24V/120V	1200W	2 / 300-600W	12-1/2"H x 6-1/8"W x 5-7/8"D

12V Transformers (Trac 12 & Trac 12/25 – LED or Halogen-Compatible)

Cat. No.	Output Voltage/ Input Voltage	Total Wattage	Number Of Circuits Recommended Wattage Range Per Circuit	Dimensions
MAGXFMR 1C 20W 120 12AC BL	12V/120V	20W	1 / 0.5-20W	10-3/4"H x 4-3/8"W x 4-1/8"D
MAGXFMR 1C 20W 277 12AC BL	12V/277V	20W	1 / 0.5-20W	10-3/4"H x 4-3/8"W x 4-1/8"D
MAGXFMR 1C 40W 120 12AC BL	12V/120V	40W	1 / 0.5-40W	10-3/4"H x 4-3/8"W x 4-1/8"D
MAGXFMR 1C 40W 277 12AC BL	12V/277V	40W	1 / 0.5-40W	10-3/4"H x 4-3/8"W x 4-1/8"D
MAGXFMR 1C 75W 120 12AC BL	12V/120V	75W	1 / 0.5-75W	10-3/4"H x 4-3/8"W x 4-1/8"D
MAGXFMR 1C 75W 277 12AC BL	12V/277V	75W	1 / 0.5-75W	10-3/4"H x 4-3/8"W x 4-1/8"D
MAGXFMR 1C 10W 120 12AC BL*	12V/120V	10W	1 / 0.5-10W	10-3/4"H x 4-3/8"W x 4-1/8"D
MAGXFMR 1C 25W 120 12AC BL*	12V/120V	25W	1 / 0.5-25W	10-3/4"H x 4-3/8"W x 4-1/8"D
MAGXFMR 1C 60W 120 12AC BL*	12V/120V	60W	1 / 0.5-60W	10-3/4"H x 4-3/8"W x 4-1/8"D
MAGXFMR 1C 150W 120 12AC BL	12V/120V	150W	1 / 50-150W halogen, 75-150W LED	8"H x 3-5/8"W x 3-1/2"D
MAGXFMR 1C 150W 277 12AC BL	12V/277V	150W	1 / 50-150W halogen, 75-150W LED	8"H x 3-5/8"W x 3-1/2"D
MAGXFMR 1C 240W 120 12AC BL	12V/120V	240W	1 / 120-240W	7-7/8"H x 4-3/8"W x 4"D
MAGXFMR 1C 240W 277 12AC BL	12V/277V	240W	1 / 120-240W	7-7/8"H x 4-3/8"W x 4"D
MAGXFMR 2C 480W 120 12AC BL	12V/120V	480W	2 / 120-240W	11-3/8"H x 5"W x 5"D
MAGXFMR 2C 480W 277 12AC BL	12V/277V	480W	2 / 120-240W	11-3/8"H x 5"W x 5"D

*Class 2 rated.

24V Transformers (Trac 12 & Trac 12/25 – Halogen-Compatible)

Cat. No.	Output Voltage/ Input Voltage	Total Wattage	Number Of Circuits Recommended Wattage Range Per Circuit	Dimensions
MAGXFMR 1C 240W 120 24AC BL	24V/277V	240W	1/120-240W	8"H x 4-1/4"W x 4"D
MAGXFMR 1C 240W 277 24AC BL	24V/277V	240W	1/120-240W	8"H x 4-1/4"W x 4"D
MAGXFMR 1C 480W 120 24AC BL	24V/120V	480W	1/240-480W	11-3/8"H x 5"W x 4-7/8"D
MAGXFMR 2C 960W 120 24AC BL	24V/120V	960W	2/240-480W	12-1/2"H x 6-1/8"W x 5-7/8"D
MAGXFMR 2C 960W 277 24AC BL	24V/277V	960W	2/240-480W	12-1/2"H x 6-1/8"W x 5-7/8"D

NOTE: Select 120V magnetic transformers are available with a 6-foot cord and plug option. For cord and plug installation, add '6CP' to catalog number prior to finish. Availability of MAGXFMR with 6CP option may be limited - see specification sheet. **Example: MAGXFMR 2C 240W 120 12AC 6CP BL**

Remote Powered Monopoints

TL40 Monopoint for Remote Transformer

Mounts over standard ceiling outlet boxes supplied with 12 or 24 volts from a remote transformer. Accepts Juno Trac 12 spotlights and decorative pendants.

Dimensions: 5" Dia. X 1/4"H

Finishes: **BL** Black, **WH** White



TL43 Mini-Monopoint for Remote Transformer

Mounts directly into ceiling, wall or cabinet surfaces with no visible mounting screws. Includes mounting retaining spring and 50" of wire with mating connector to TL544N transformer (ordered separately). Accepts all Juno Trac 12 spotlights and decorative pendants.

Dimensions: 2-1/2" Dia. X 1/8"H

Finishes: **BL** Black, **WH** White, **SL** Silver



TL44 IC Recessed Mini-Monopoint, New or Remodel Construction

Mounts directly into mounting surface with no visible mounting screws. Includes pre-wired IC rated recessed wiring compartment, universal electrical connector and canopy with retaining spring. Installs from below the mounting surface in 2x6 construction and up to 3/4" max. surface thickness. Can be supplied with 12 or 24 volts from a remote transformer. Accepts all Juno Trac 12 spotlights and decorative pendants.

Housing Depth: 6" **Dimensions:** 2-1/2" Dia. X 1/8"H

Finishes: **BL** Black, **WH** White, **SL** Silver



Recessed Monopoint Power Pack (For 12V only)

TL644 TC Recessed Mini-Monopoint, New or Remodel Construction

Includes 60VA 12-volt LED-compatible electronic transformer, pre-wired TC rated recessed wiring compartment, universal electrical connector and canopy with retaining spring. Installs from below the mounting surface in 2x6 construction and up to 3/4" max. surface thickness. Accepts Juno Trac 12 LED or halogen spotlights and decorative pendants.

Housing Depth: 6" **Dimensions:** 2-1/2" Dia. X 1/8"H

Finishes: **BL** Black, **WH** White, **SL** Silver



Trac 12 Extension Wands

Extension Wands

Extension wands allow any Trac 12 fixture to be suspended without having to lower the track section itself. For use with either rigid aluminum Trac 12/25 track or Trac 12 track or Monopoints.

Ordering Information

Cat. No.	Overall Length	Finishes
TLRW 12IN	14"	BL Black
TLRW 18IN	20"	WH White
TLRW 24IN	26"	SL Silver
TLRW 36IN	38"	
TLRW 48IN	50"	



Surface Monopoint Adapters with Integral Electronic Transformer

TL540 LED LED-Compatible Cylindrical Surface Monopoint with Integral Transformer

Mounts over standard ceiling outlet boxes. Includes 50VA electronic transformer. Accepts Juno Trac 12 LED or halogen spotlights and decorative pendants.

Dimensions: 6-1/2" Dia. X 1-3/8"H

Finishes: **BL** Black, **WH** White



Trac 12 Quick Jack Adapter

TLQJA Trac 12 Quick Jack Adapter

Quick Jack Adapter for Quick Jack directionals or decorative pendants. For use on Juno Trac 12 and Trac 12/25 miniature Low Voltage Track Systems. Rated for fixtures using 50W maximum 12V or 24V lamps.








Dimensions: 3/4" L X 3/4"W X 1-5/8"H

Finishes: **BL** Black, **WH** White, **SL** Silver



Light Control Accessories

A complete selection of light control accessories to enable the customization of lighting effects.

		1 3/4"	Compatible With	2"	Compatible With	
Light Control Lenses Light Control Lenses alter the light distribution of a given lamp, enlarging or elongating it, softening the beam edge or removing striations. 	Light Control Lenses		TL116, TL191, TL196, TL296,		TL141*, TL252L, TL261L, TL381L	
	Linear Spread Lens	LSPREAD 175				LSPREAD 200
	Prismatic Spread Lens	PRISM 175				PRISM 200
	Diffusion Lens	DIFF 175				DIFF 200
	Uniformity Lens	SOLITE 175				SOLITE 200
UV Filters These museum quality lenses filter out ultraviolet radiation below 400 nanometers to protect fade sensitive art and objects. 	UV Filter					
		UVF 175		UVF 200		
Dichroic Color Correction Filters Color Correction Filters correct the light, either to warm it up to approximate incandescent, or cool it down to approximate daylight. 	Color Correction Filters					
	Halogen-to-Incandescent, 2700K	DCCF 175 HAL2700		DCCF 200 HAL2700		
	Halogen-to-Daylight, 4250K	DCCF 175 HL4250		DCCF 200 HL4250		
Color Filters Color Filters change white light into colored light and are available in colored glass and more efficient/saturated dichroic filters. 	Colored Glass Filters					
	Medium Pink	CGF 175 MPINK		CGF 200 MPINK		
	Warm Red			CGF 200 WRED		
	Daylight Blue			CGF 200 DLTBLUE		
	Medium Blue	CGF 175 MBLU		CGF 200 MBLU		
	Medium Amber	CGF 175 MAMB		CGF 200 MAMB		
	Medium Green			CGF 200 MGRN		
	Dichroic Glass Filters					
	Red	DGF 175 DRED		DGF 200 DRED		
	Medium Green	DGF 175 MGRN		DGF 200 MGRN		
Medium Blue	DGF 175 MBLU		DGF 200 MBLU			
Yellow	DGF 175 DYEL		DGF 200 DYEL			
Magenta	DGF 175 MAGEN		DGF 200 MAGEN			
Blue Green (Cyan)	DGF 175 CYAN		DGF 200 CYAN			
Hexcell Louvers Hexcell louvers reduce perceived fixture brightness. 						
		HCLBL 175		HCLBL 200		
Snoots and Eyebrows Snoots and Eyebrows extend lamp shielding and can reduce spill light in the edge of a beam pattern. 	Snoots		TL116		SNOOTBL 200	
	Eyebrows				EYEBROWBL 200	
Barn Doors These create a theatrical look and allow control of the spill light coming off of a lamp. 						
		T74BL 175	TL116, TL141, TL252L, TL261L, TL381L			



Supremely versatile track-based lighting

Energy-Efficient Illumination

The Trac 12 system is offered with a variety of light sources, including the latest in ultra-efficient LEDs.

An extensive range of advanced LED fixtures for linear, spot and flood applications feature unparalleled energy savings and remarkably long service life.

Photo Credits:
Cover, Inside Front Cover: Westin River North, Chicago, IL (Pictureboy Photography)
Page 1: Private Residence, Park Ridge, IL

Juno[®]