




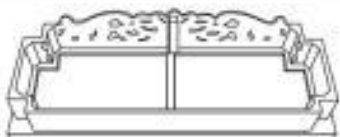
ASSEMBLY INSTRUCTIONS

ITEM NO:225866

Parts required

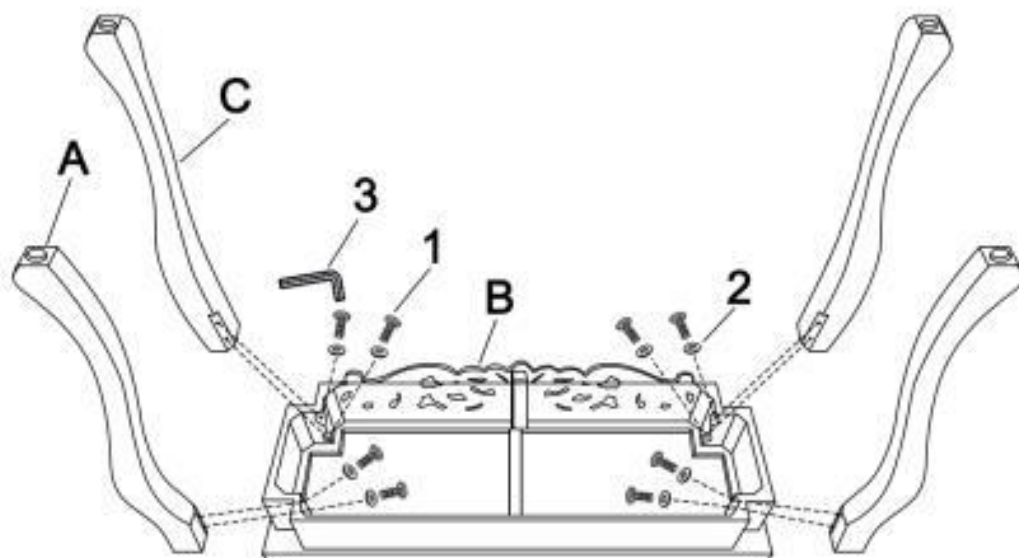
1		Bolt	$\Phi 7 \times 35 \text{MM}$	8pcs
2		Flat washer	$\Phi 9 \text{MM}$	8pcs
3		Allen wrench		1pc

A		2pcs
---	---	------

B		1pc
---	--	-----

C		2pcs
---	--	------

1.



2.

