

REF36FDBZPNV/24

REFRIGERATOR 36" BUILT-IN FRENCH DOOR WITH ICE MAKER AND INTERNAL WATER DISPENSER
PANEL READY (STAINLESS STEEL PANEL KIT AVAILABLE)



Energy Star rated refrigerator with 19.6 cu.ft of total storage capacity, powered by variable-speed compressor and dual evaporators.

Flush or proud installation in 84" high kitchen cabinets.

Dual Cooling Shield System: automated defrosting of evaporators ensures food stays always fresh.

Precise temperature control for optimal food preservation: the Fresco drawer in the refrigerator compartment with independent temperature settings (30°-41°F) allows for optimal storage of meat, cold cuts, shellfish, fish and dairy products.

Automatic ice maker with daily capacity of 3.9 lbs of filtered ice.

Internal water dispenser with inline filter for hygienically clean drinking water and ice.

Digital LED touch interface with user-friendly controls for temperature, speed-freeze and ice making.

Soft close refrigerator crispers and metal freezer bins.

Height-adjustable gallon-size door storage bin.

Stainless steel door panels kit available as optional accessory. Stainless steel toe kick included in the unit.

Choose Professional, Master or Heritage Series handle kit to match your other Bertazzoni kitchen appliances.

Purchase Décor Sets in Gold (DS2HERTGO), Copper (DS2HERTPC) or Black Nickel (DS2HERTSB) to personalize your Heritage Series handles (6 handle finials per set).

2 years parts & labor warranty.

ADA compliant.

PRODUCT FEATURES

Size	W 36"
Volume	Ref 14 cu.ft / Frz 5.6 cu.ft
Door finish	Panel ready
User interface	Internal digital LED touch interface
Lighting	Top and sidewall LED lights
Refrigerator shelves	1 stationary + 2 height-adjustable
Refrigerator drawers	1 large + 2 medium, of which 1 fresco drawer with separate temperature control
Freezer compartment	2 drawers
Door storage	1 height-adjustable gallon sized + 5 stationary bins
Ice maker	Automatic ice maker 3.9 lbs / 24 hrs
Settings	Super cool, Super freeze, Ice maker, Water filter replacement alarm, Water dispenser, Eco mode, Vacation mode, Sabbath mode

TECHNICAL SPECIFICATIONS

Electrical supply	115 V 60 HZ - 120 W - 3 Amp
Power connection	NEMA 5-15P with 90" power cord
Sound rating	43 dbA
Water connection	1/4" waterline with shut-off valve
Water supply pressure	25-80 psi (1.7-5.5 bar)
Energy consumption	589.0 kwh/yr
Certification	ADA Compliant,CB,CEC,ETL
Warranty	2 years parts & labor Sealed system: 5 years labor
Packaging dimensions	W 38 3/16" H 90 9/16" D 26 3/8"
Weight	400.0 lbs

ACCESSORIES

Z370001	Replacement water filter
SP36FDX/24	Stainless steel door panels kit
HK36PROFDBXV	Handle kit - Professional series
HK36MASFDBXV	Handle kit - Master series
HK36HERFDBXV	Handle kit - Heritage series

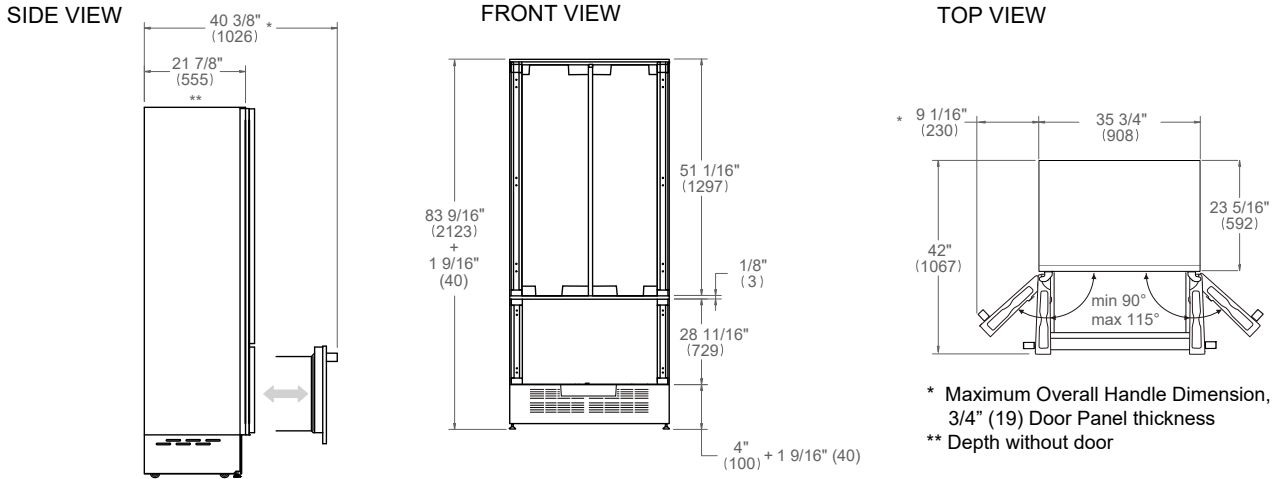


REF36FDBZPNV/24

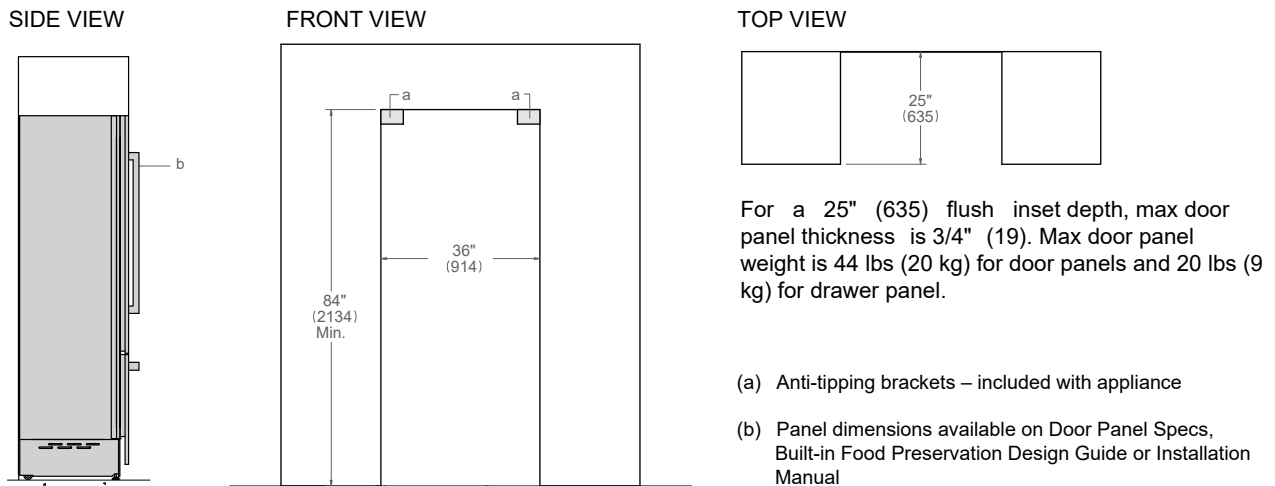
REFRIGERATOR 36" BUILT-IN FRENCH DOOR WITH ICE MAKER AND INTERNAL WATER DISPENSER
 PANEL READY (STAINLESS STEEL PANEL KIT AVAILABLE)



PRODUCT DIMENSIONS



CUTOUT DIMENSIONS

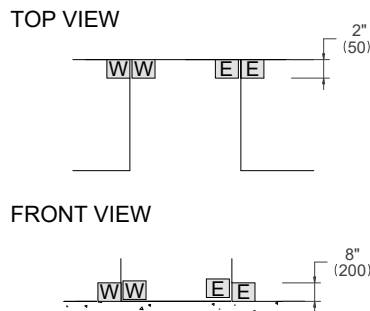


ELECTRICAL & WATER CONNECTION

E A properly-grounded, horizontally-mounted electrical receptacle should be installed according to this drawing.

W To connect to the water supply system, use a 1/4" waterline with a minimum length of 60" (1500).

Connection(s) placement within the opening may require additional cabinet depth.



INSTALLATION REQUIREMENTS

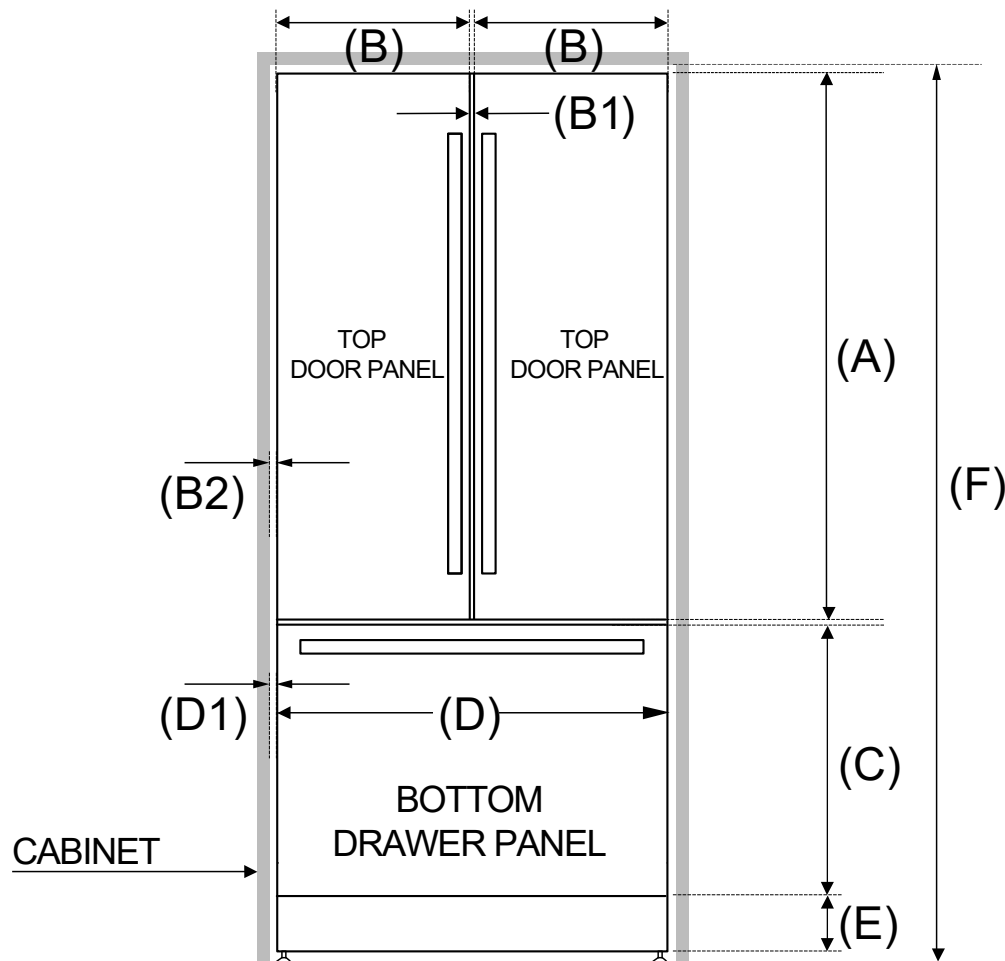
If the appliance(s) is not connected through the side profile trims to secured cabinetry anti-tip brackets must be installed.

Dimensions in parentheses are millimeters unless otherwise specified.

STAINLESS STEEL DOOR PANELS SPECIFICATIONS

FOR BUILT-IN FRENCH DOOR BOTTOM MOUNT MODEL REF36FDBZPNV/24

SP36FDX/24 accessory panel to be mounted by installer



NOTE: The refrigerator comes with a 4" (100 mm) stainless steel toe kick installed to fit a standard 84" (2134 mm) tall cabinet niche.

DIMENSIONS - INCHES (MILLIMETERS)		
(A)	Height of top door steel panel (each)	51 1/16" (1297)
(B)	Width of top door steel panel (each)	17 3/4" (451)
(B1)	Gap between top door steel panels	3/16" (5)
(B2)	Gap between top steel panels and cabinet	1/8" (3.5)
(C)	Height of bottom drawer steel panel	28 11/16" (729)
(D)	Width of bottom drawer steel panel	35 11/16" (907)
(D1)	Gap between bottom steel panel and cabinet	1/8" (3.5)
(E)	Toe kick height	min 3 3/4" (96) - max 5 3/8" (136)
(F)	Cabinet height	min 83 13/16" (2129) - max 85 3/8" (2169)
(G)	Cabinet width	36" (914)
Thickness of stainless steel panels		3/4" (19)

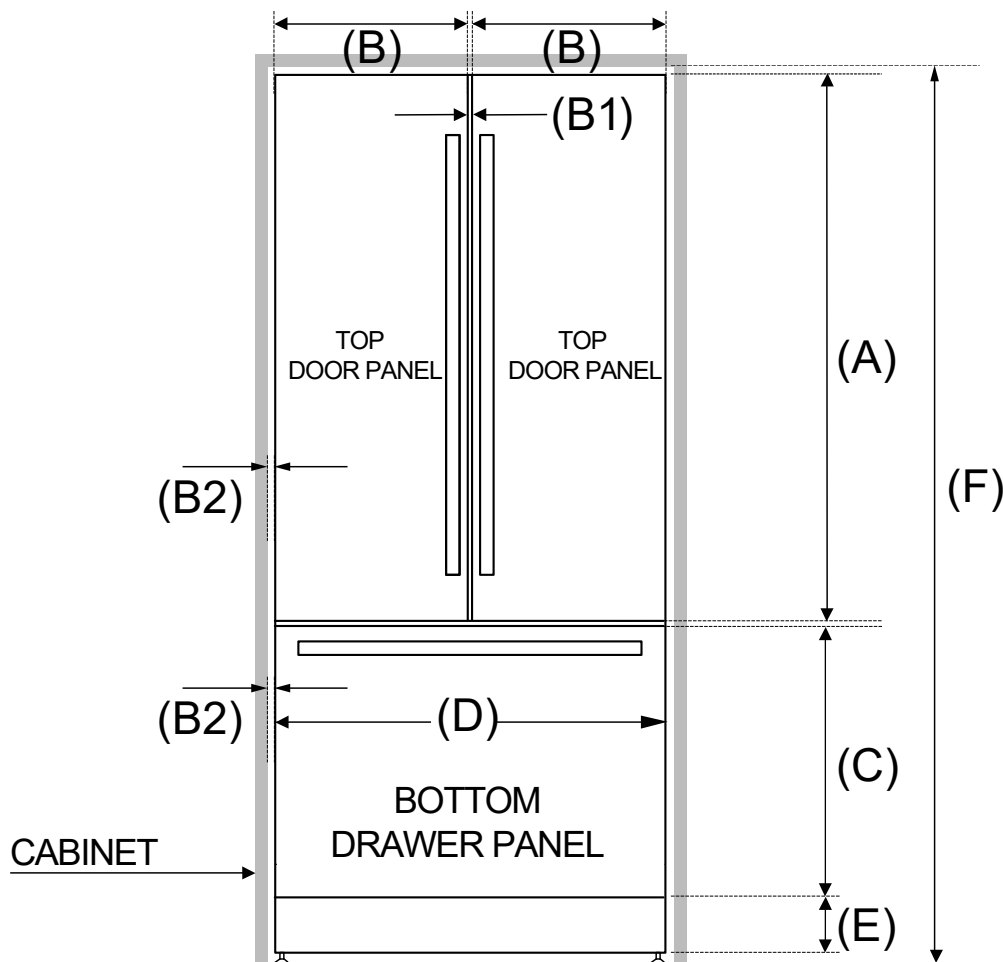
WEIGHT - POUNDS (KILOGRAMS)	
Weight of each stainless steel top door panel	44 lbs (20 kg)
Weight of stainless steel bottom drawer panel	20 lbs (9 kg)

Disclaimer: while every effort has been made to insure the accuracy of the information contained in this document, Fratelli Bertazzoni reserves the right to change any part of the information at any time without notice. For detailed installation specifications consult the installation manual. Fratelli Bertazzoni, Bertazzoni and the winged wheel brand icon are registered trademarks of Bertazzoni Spa.

CUSTOM DOOR PANELS SPECIFICATIONS

FOR BUILT-IN FRENCH DOOR BOTTOM MOUNT MODEL REF36FDBZPNV/24

Panels to be manufactured and fitted by cabinet maker and installer



NOTE: The refrigerator comes with a 4" (100 mm) stainless steel toe kick installed to fit a standard 84" (2134 mm) tall cabinet niche. For different toe kick heights, adjust C accordingly. For flush installation in a standard 25" (635 mm) deep cabinet niche, maximum custom door panels thickness is 3/4" (19 mm).

DIMENSIONS - INCHES (MILLIMETERS)		
(A)	Height of custom top door panel (each)	51 1/16" (1297)
(B)	Width of custom top door panel (each)	17 3/4" (451)
(B1)	Gap between custom top door panels	3/16" (5)
(B2)	Gap between custom door panels and cabinet	1/8" (3.5)
(C)	Height of custom bottom drawer panel	28 11/16" (729)
(D)	Width of custom bottom drawer panel	35 11/16" (907)
(E)	Toe kick height	min 3 3/4" (96) - max 5 3/8" (136)
(F)	Cabinet height	min 83 13/16" (2129) - max 85 3/8" (2169)
(G)	Cabinet width	36" (914)
Thickness of custom door panels for flush install		max 3/4" (19)

WEIGHT - POUNDS (KILOGRAMS)	
Maximum weight of each custom top door panel	44 lbs (20 kg)
Maximum weight of custom bottom drawer panel	20 lbs (9 kg)

Disclaimer: while every effort has been made to insure the accuracy of the information contained in this document, Fratelli Bertazzoni reserves the right to change any part of the information at any time without notice. For detailed installation specifications consult the installation manual. Fratelli Bertazzoni, Bertazzoni and the winged wheel brand icon are registered trademarks of Bertazzoni Spa.