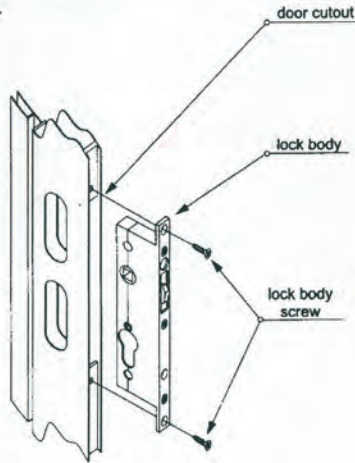


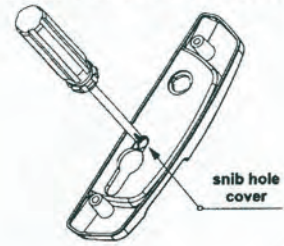
Step 1

- 1 Insert the lock body into the door cutout.
- 2 Secure it with the two #8x13mm lock body screws.

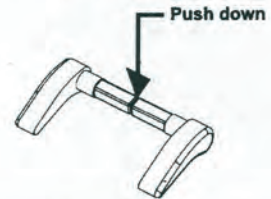


Step 2

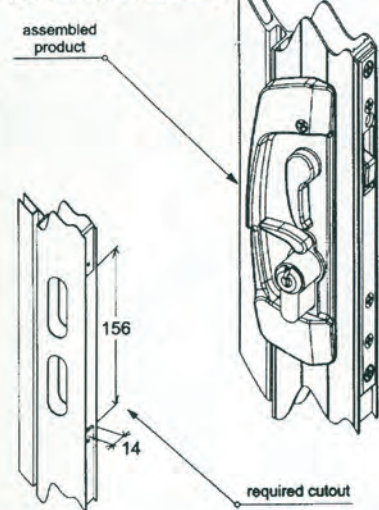
- 1 Select the interior handle assembly, then punch out the snib hole cover.



- 2 Break the snib lever pair in two.
TIP: Put the pair on a flat surface and push down on the middle.

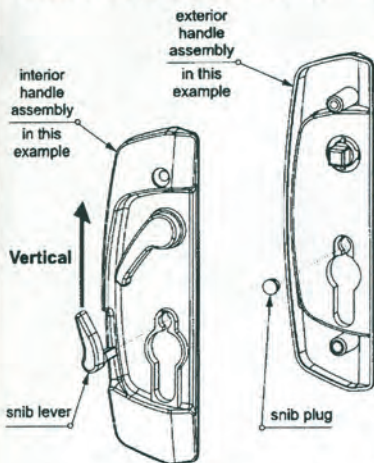


Fully illustrated fitting instructions inside



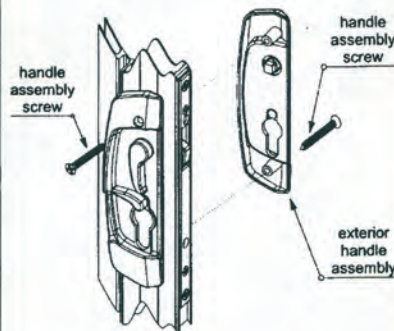
Step 3

- 1 Fit the snib lever into the interior handle assembly by pushing it into the snib hole vertically then turning it to horizontal.
- 2 Fit the snib plug in behind the snib hole cover of the exterior handle assembly.



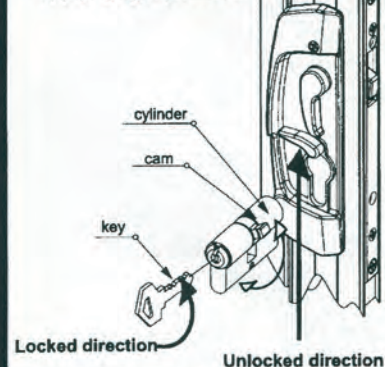
Step 4

- 1 Fit the interior and exterior handle assemblies by placing them over the lock body. Fit the interior handle assembly by guiding the lever and snib lever square drives into the lock body. Fit the exterior handle assembly then loosely fit the two #8 x 32mm handle assembly screws.



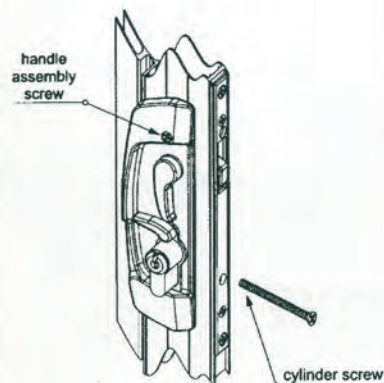
Step 5

- 1 Remove one key and insert the cylinder into the lock body.
Note: the cam must rotate as shown.
- 2 While applying light pressure on the snib lever towards the unlocked position, turn the key firmly towards the locked position to engage the cam into the slide.
- 3 While turning the key, allow the snib lever to move while still applying light pressure.



Step 6

- 1 With the cylinder in the locked position, insert the #10 x 38mm cylinder screw and tighten.
- 2 Tighten the handle assembly screws.



Step 7

- 1 Fit the strike plate into the lock.
- 2 Close the door until the strike plate reaches the receiving channel.
- 3 Mark the position of the strike plate on the channel.
- 4 Open the door and install the strike plate with the two #10 x 13mm screws. (Place the screws in the centre of the slots to allow for adjustment.)
- 5 Test that the strike plate engages the lock correctly and adjust if necessary.

