



JOHN DEERE

OPERATOR'S MANUAL

Front Mounted Dethatcher

1020469-C
04 / 10 / 2024
English

Introduction

Using Your Operator's Manual

Read this entire operator's manual, especially the safety information, before operating.

This manual is an important part of your machine. Keep all manuals in a convenient location so they can be accessed easily.

Use the safety and operating information in the attachment operator's manual, along with the machine operator's manual, to operate and service the attachment safely and correctly.

If your attachment manual has a section called Preparing the Machine, it means that you will have to do something to your tractor or vehicle before you can install the attachment. The Assembly and Installation sections of this manual provide information to assemble and install the attachment to your tractor or vehicle. Use the Service section to make any needed adjustments and routine service to your attachment.

If you have any questions or concerns with the assembly, installation, or operation of this attachment, see your local John Deere dealer.

Warranty information on this John Deere attachment can be found in the warranty statement included in this manual.

Special Messages

Your manual contains special messages to bring attention to potential safety concerns and machine damage, as well as helpful operating and servicing information. Please read all information carefully to avoid injury and machine damage.



CAUTION: Avoid Injury! This symbol and text highlight potential hazards or death to the operator or bystanders that may occur if the hazards or procedures are ignored.

IMPORTANT: Avoid damage! This text is used to tell the operator of actions or conditions that might result in damage to the machine.

NOTE: General information is given throughout the manual that may help the operator in the operation or service of the machine.

LP83252

Product Compatibility

Front Mounted Dethatcher designed for Z515E, Z530M, Z530R, Z545R Mowers

Original instructions. All information, illustrations and specifications in this manual are based on the latest information available at the time of publication. The right is reserved to make changes at any time without notice.

Table of Contents

Introduction	2
Safety	3 - 5
Assembly	6 - 12
Use and Care	
Installing / Removing	14
Storing	15
Operation	16 - 19
Service	20
Troubleshooting	21
Warranty	22

Record Product Information

In the event that you need to contact an Authorized Service Center for information on servicing your product, record the following information in the spaces provided below.

DATE OF PURCHASE:

DEALER NAME:

DEALER PHONE:

Safety Labels



Understanding The Machine Safety Labels

The machine safety labels shown in this section are placed in important areas on your machine to draw attention to potential safety hazards.

On your machine safety labels, the words **DANGER**, **WARNING**, and **CAUTION** are used with this safety-alert symbol. **DANGER** identifies the most serious hazards.

The operator's manual also explains any potential safety hazards whenever necessary in special safety messages that are identified with the word, **CAUTION**, and the safety-alert symbol.

Replace missing or damaged safety labels. Use this operator's manual for correct safety label placement.

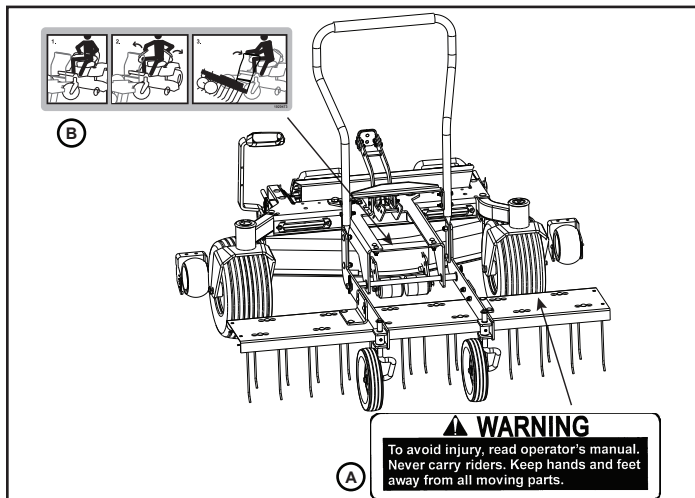
There can be more safety information contained on parts and components sourced from suppliers that is not reproduced in this operator's manual.

French or Spanish Safety Labels and Operator's Manual



Operator's manuals and safety labels with content in French or Spanish are available for this machine through authorized John Deere dealers. See your John Deere dealer.

WARNING



NOTE: Use label number listed in table below to locate complete text of safety label message following this illustration. No text labels are required for certain regions of the world. Your product may not be equipped with all these labels.

A - Warning - M133767

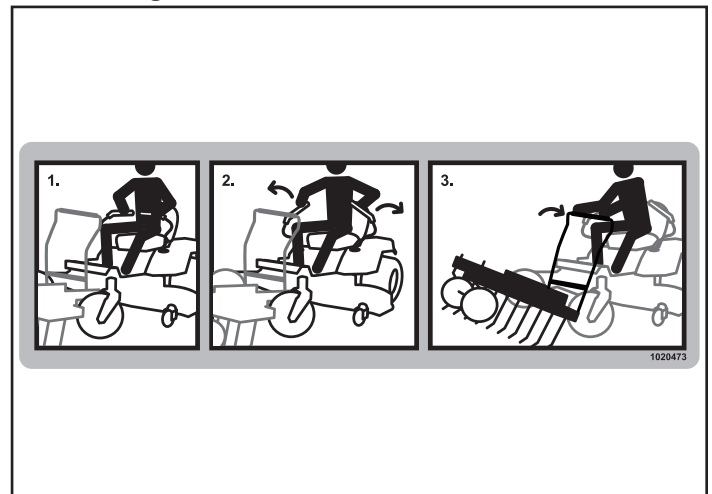
B - Warning - 1020473

A - Warning - M133767



To avoid injury, read operator's manual. Never carry riders. Keep hands and feet away from all moving parts.

B - Warning - 1020473



Bring the mower to a complete stop and park the machine safely by move the driving arms to the neutral position before engaging or disengaging the attachment.

Safety

Safety

Read the general safety operating precautions in your machine operator's manual for additional safety information.

Operate Safely

- Read the machine and attachment operator's manual carefully. Be thoroughly familiar with the controls and the proper use of the equipment. Know how to stop the machine and disengage the controls quickly.
- Keep hands and feet away from all moving parts.
- To avoid possible personal injury and/or equipment damage, never exceed the recommended operating speed range of 5 to 8 km/hr (3 to 5 mph).
- Tines have extremely sharp points. Wear gloves and handle with care.
- Store attachment with tines against wall or floor to avoid accidental contact.
- Watch out for traffic when crossing or near roadways.
- Only use your attachment on machines for which it was designed. See your John Deere dealer for product information.
- Inspect machine and attachment before you operate. Be sure hardware is tight. Repair or replace damaged, badly worn, or missing parts. Be sure guards and shields are in good condition and fastened in place. Make any necessary adjustments before you operate.
- Never attempt to make any adjustments while the engine is running, unless if recommended in adjustment procedure.
- Clear work area of objects that might be thrown or struck. Keep people and pets out of the work area. Stop machine if anyone enters the area.
- If you hit an object, stop and inspect machine and attachment. Make repairs before you operate. Keep machine and attachment properly maintained and in good working order.
- DO NOT leave machine unattended when it is running.
- Only operate during daylight or with good artificial light.
- Do not wear radio or music headphones while operating the machine. Safe operation requires your full attention.
- Do not let anyone, especially children, ride on machine or attachment. Riders are subject to injury such as being struck by foreign objects and being thrown off. Riders

may also obstruct the operator's view, resulting in the machine being operated in an unsafe manner.

- This attachment is intended for use in lawn care and home applications. Do not use with a vehicle on a highway or in any high speed application
- Check machine brake action before you operate. Adjust or service brakes as necessary.
- Travel slowly over rough ground.
- Keep all parts in good condition and properly installed. Fix damage immediately. Replace worn or broken parts. Replace all worn or damaged safety and instruction decals.
- Do not modify machine or safety devices. Unauthorized modifications to the machine or attachment may impair its function and safety.
- Stop the machine and open the driving arms to neutral position before operating the dethatcher handle.
- Do not let children or an untrained person operate the machine. Only allow responsible adults who are familiar with the instructions to operate the machine.
- Do not operate the machine when you are tired or ill or under the influence of drugs or alcohol.
- Use extreme caution when operating on or near gravel drives, walks, or roads. Stay alert for hidden hazards or traffic.
- Slow down before turning. Avoid sudden turns.
- Do not operate near drop-offs, ditches or embankments.

Protect Bystanders

- Keep bystanders away when you operate.
- Before you back machine and attachment, look carefully behind attachment for bystanders.
- Back up carefully.

Keep Feet From Under Attachment

Before you disconnect attachment from machine, park unit safely - See "Parking Safely" instructions

Safety / Specifications

Wear Appropriate Clothing



- Always wear eye protection when operating the machine.
- Wear close fitting clothing and safety equipment appropriate for the job.
- While operating this machine, always wear substantial footwear and long trousers. Do not operate the equipment when barefoot or wearing open sandals.
- Wear a suitable protective device such as earplugs. Loud noise can cause impairment or loss of hearing.

Practice Safe Maintenance

- Only qualified, trained adults should service this machine.
- Do not operate the engine in a confined space where dangerous carbon monoxide fumes can collect.
- Understand service procedure before doing work. Keep area clean and dry.
- Never lubricate, service, or adjust machine while it is moving. Keep safety devices in place and in working condition. Keep hardware tight.
- Keep hands, feet, clothing, jewelry, and long hair away from any moving parts, to prevent them from getting caught.
- Lower attachments to the ground before servicing machine. Disengage all power and stop the engine. Lock park brake and remove the key. Let machine cool.
- Disconnect battery or remove spark plug wire (for gasoline engines) before making any repairs.
- Keep all parts in good condition and properly installed. Fix damage immediately. Replace worn or broken parts. Replace all worn or damaged safety and instruction decals.
- Securely support any machine or attachment elements that must be raised for service work. Use jack stands or lock service latches to support components when needed.
- Check all hardware at frequent intervals to be sure the equipment is in safe working condition.



CAUTION: Avoid Injury! Spring are under tension. Hold firmly during removal and installation. Wear eye protection.

Specifications

48 in. Dethatcher Specifications

MAIN FRAME

Construction 6 mm (1/4 in) Steel
Size 100.6 x 121.9 cm (39-5/8 x 48 in.)
Working Width 121.9 cm (48 in.)
Weight 29.9 kg (66 lb)

GAUGE WHEEL

Width 44 mm (1-3/4 in.)
Diameter 20.3 cm (8 in.)
Wheel Bearing Material Iron, Oil
Impregnated

TINES

Number 12 Double End
Diameter 4.8 mm (3/16 in.)

(Specifications and design subject to change without notice).

Parking Safely

1. Stop machine on a level surface, not on a slope.
2. Disengage mower blades.
3. Lower attachments to the ground.
4. Lock the park brake.
5. Stop the engine.
6. Remove the key.
7. Wait for engine and all moving parts to stop before you leave the operator's seat.
8. Close fuel shut-off valve, if your machine is equipped.
9. Disconnect the negative battery cable or remove the spark plug wire(s) (for gasoline engines) before servicing the machine.



JOHN DEERE

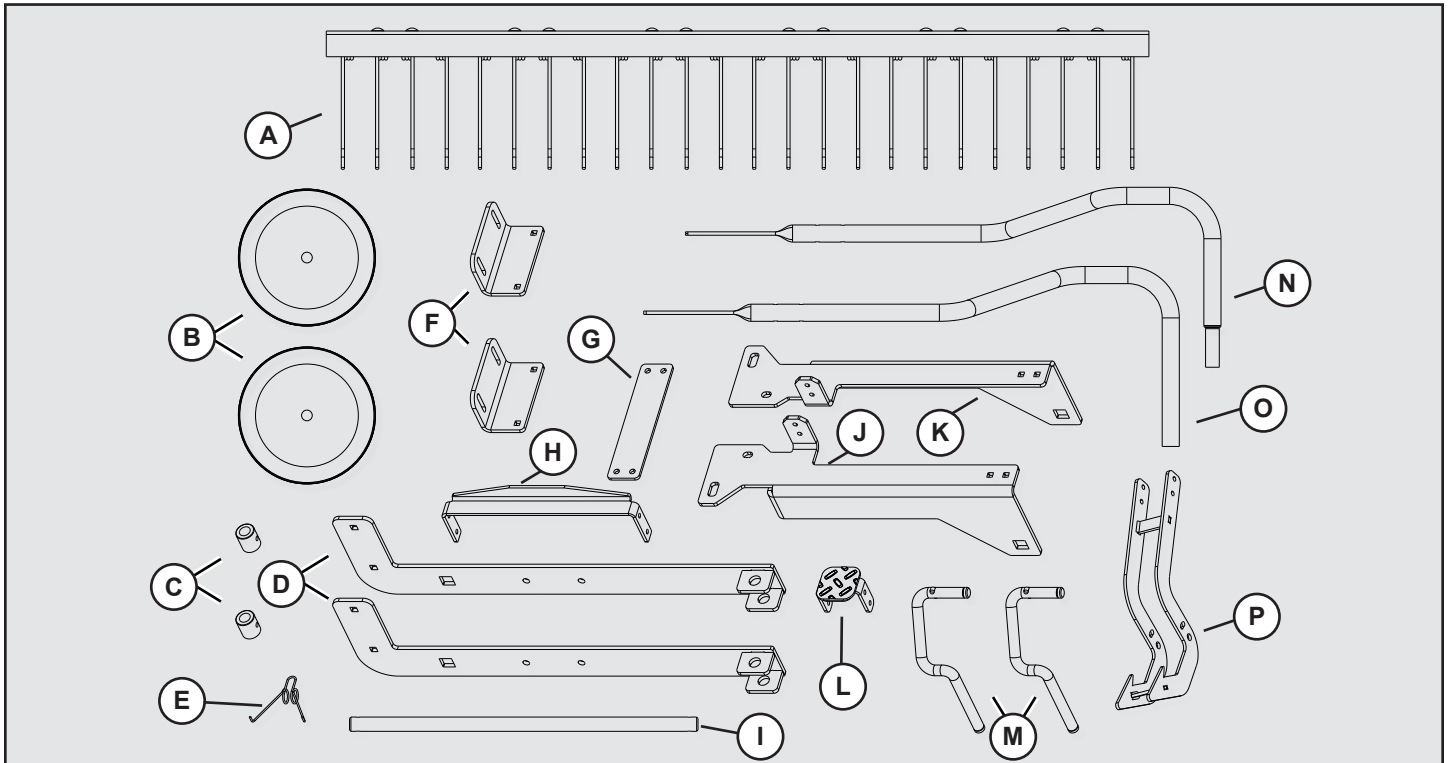
ASSEMBLY SECTION

Front Mounted Dethatcher

48 Inch Dethatcher	6-11
------------------------------	------

Assembly

Parts:



Ref.	Description	Qty.	Ref.	Description	Qty.
(A)	Dethatcher Tray	1	(I)	Axle	1
(B)	Wheel	2	(J)	Right Mount	1
(C)	Retaining Hub	2	(K)	Left Mount	1
(D)	Lift Arm	2	(L)	Latch Pedal	1
(E)	Spring	1	(M)	Axle, Formed	2
(F)	Tray Bracket	2	(N)	Lift Handle, Left	1
(G)	Cross Support	1	(O)	Lift Handle, Right	1
(H)	Latch Bar	1	(P)	Latch Weldment	1

Assembly

Parts:

Bags of Parts:

Ref.	Description	Qty.
(Q)	Nylon Flange Bushing	4
(R)	Nut, Nylon Lock, 7/16-14	2
(S)	Spacer, 5/8 ID X 1.5	2
(T)	Spacer, Nylon	1
(U)	Bolt, Carriage, 5/16 x 3/4	4
(V)	Bolt, Carriage, 5/16 x 1	8
(W)	Bolt, Carriage, 3/8 x 1	4
(X)	Bolt, Hex Hd, 1/4 x 3/4	4
(Y)	Bolt, Hex Hd, 1/4 x 1-3/4	4
(Z)	Bolt, Hex Hd, 1/4 x 3.75	2
(AA)	Bolt, Hex Hd, 3/8 x 1-1/4	4
(AB)	Bolt, Hex Hd, 7/16 x 1-1/4	2
(AC)	Washer, Flat, 3/8	8
(AD)	Washer, Flat, 7/16	4
(AE)	Washer, Flat, 5/8	6
(AF)	Nut, Nylon Lock, 1/4-20	10
(AG)	Nut, Nylon Lock, 5/16-18	12
(AH)	Nut, Nylon Lock, 3/8"-16	8
(AI)	Bearing, Square	4
(AJ)	Cotter, Hairpin 1/8"	2
(AK)	E Ring, 5/8"	4
(AL)	Bearing, Nylon	4
(AM)	Screw, Rd., 5/16-18 X 1/4	2

Note:



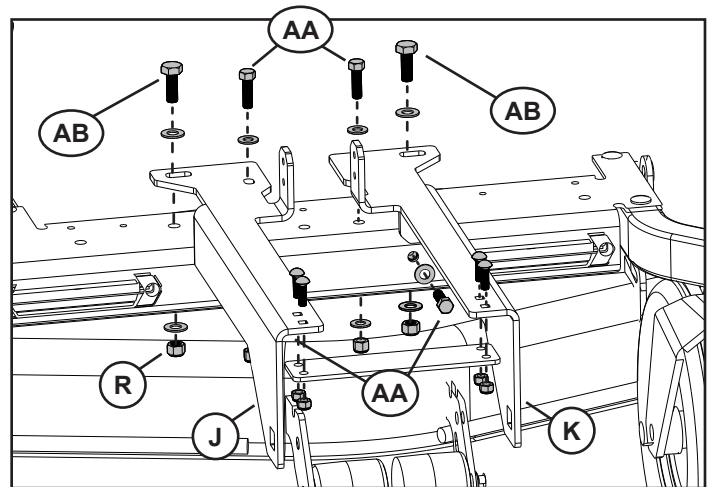
CAUTION: Avoid Injury!
TINES ARE SHARP

Wear heavy gloves when working around tines and do not work under raised attachment unless it is safely supported.

Step 1. Mower Floor Plate

1. Remove the mower floor plate from the unit.

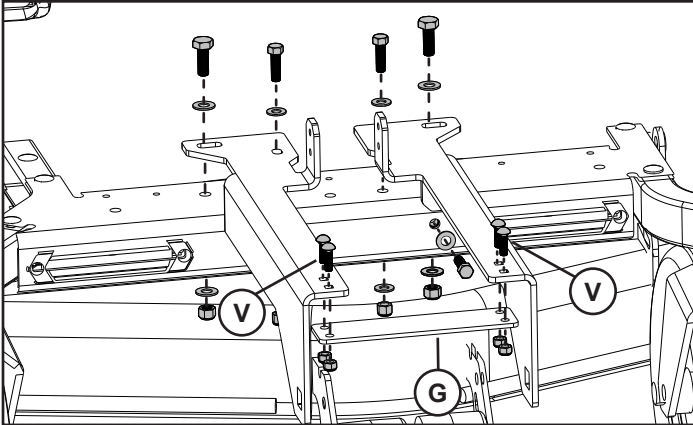
Step 2-A. Attach Mounting Brackets



1. Locate right mount (**J**) and left mount (**K**) holes to the holes in the front and top of the mower.
2. Install four 3/8 x 1-1/4 in. hex bolts (**AA**), eight washers (**AC**), and four lock nuts (**AH**). Do not tighten completely.
3. Install two 7/16 x 1-1/4 in. hex bolts (**AB**), four washers (**AD**), and two lock nuts (**R**). Do not tighten completely.

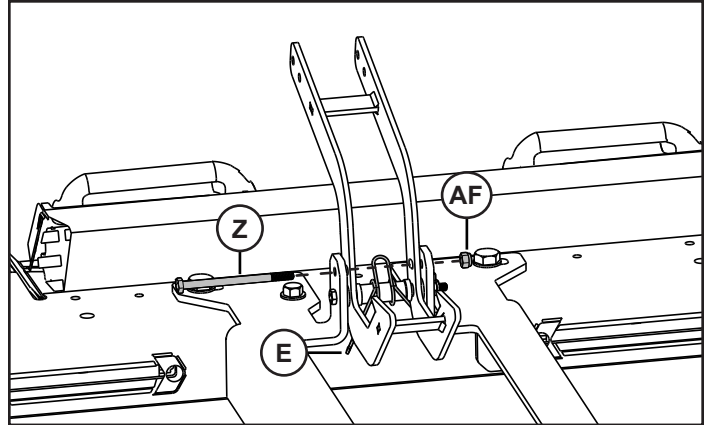
Assembly

Step 2-B. Attach Mounting Brackets



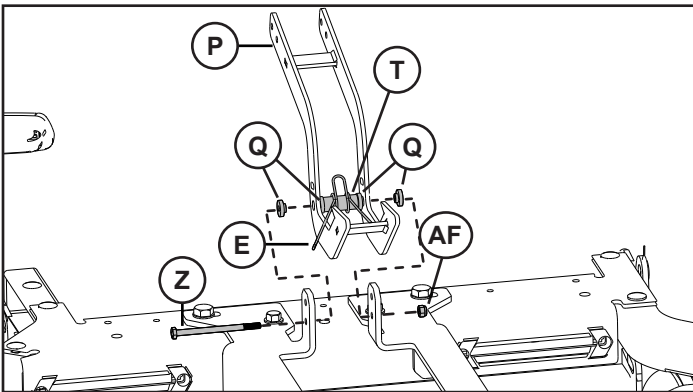
1. Locate cross support (G) holes to right mount (J) and left mount (K) to the holes in the front. Ensure the safety label is up and facing towards the rider.
2. Install four 5/16 x 1 in. carriage bolts (V) and four lock nuts (AG). Do not tighten completely.

Step 3-B. Attach Latch Weldment



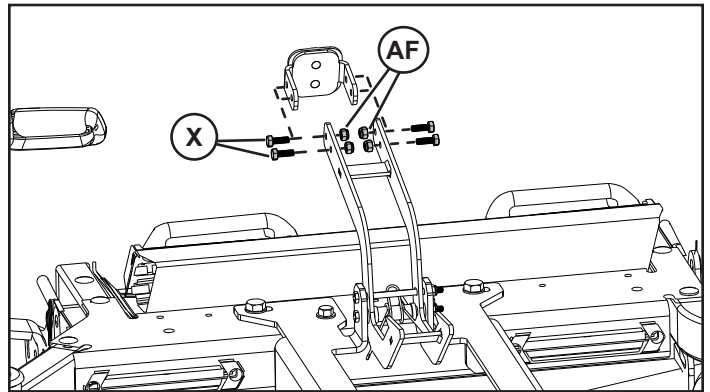
1. Install a 1/4 x 3-3/4 in. hex bolt (Z) and a lock nut (AF) through mounts and latch weldment. Spring should be between rider and the bolt.
2. Pull spring (E) ears to bottom of latch weldment and hook under the edge as shown.

Step 3-A. Attach Latch Weldment



1. Fasten latch weldment (P) to mounts using 1/4 x 3-3/4 in. hex bolt (Z), four nylon flange bushings (Q), nylon spacer (T), spring (E), and lock nut (AF).
2. Tighten all nuts completely.
3. Reinstall mower floor plate.

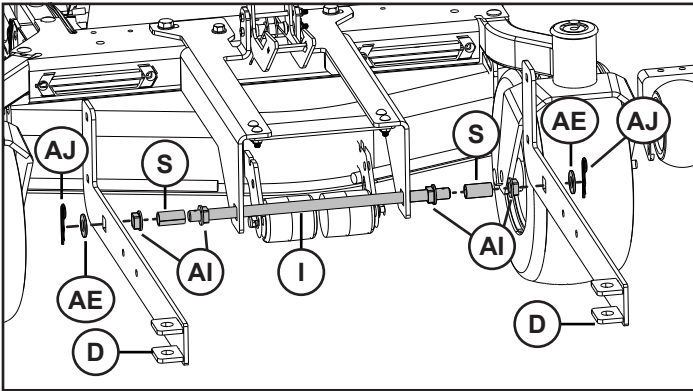
Step 3-C. Attach Latch Weldment



1. Secure latch pedal (L) over the end of the latch weldment using four 1/4 x 3/4 in. hex bolts (X) and four lock nuts (AF).

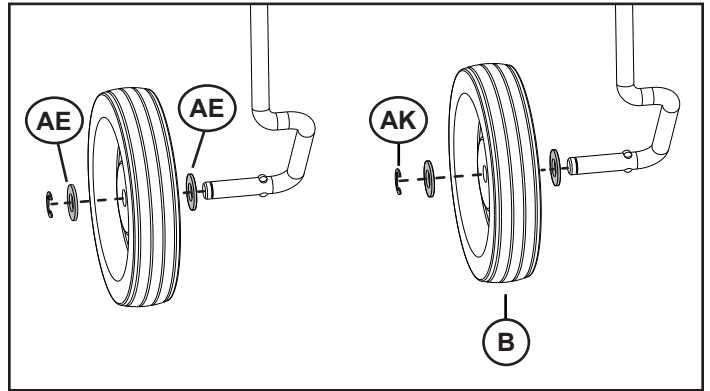
Assembly

Step 4: Assemble Lift Arm Assembly



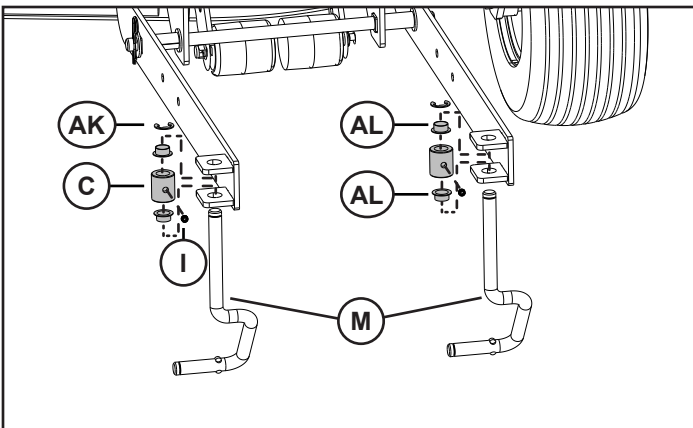
1. Assemble two lift arms (D) to mounts using axle (I), four square bearings (AI), two spacers (S), two washers (AE), and two cotter hairpins (AJ) as shown.

Step 5-B. Install Wheel Assemblies



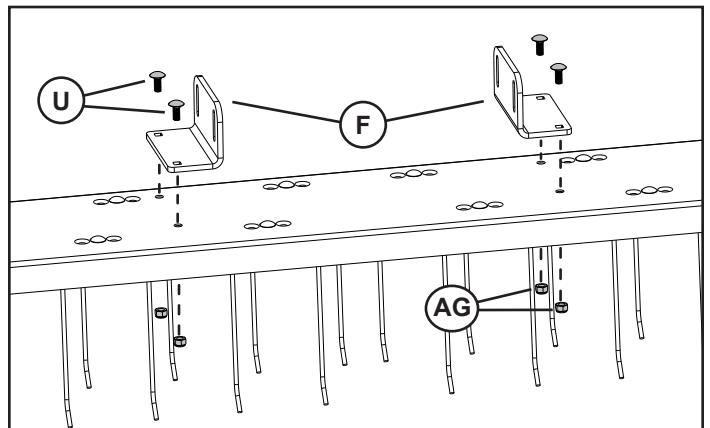
1. Attach a washer (AE), wheel (B), another washer (AE), and an e-ring (AK) onto the two formed axles.

Step 5-A. Install Wheel Assemblies



1. Insert nylon bearings (AL) into the top and bottom holes of the lift arms. Slide a collar (C) into the center of each of the lift arms.
2. Slide wheel axle (M) through the nylon bearings (AL), collar (C), and lift arms. Secure wheel axles with e-rings (AK) and lightly tighten the set screw (I) into the collar (C) as height will be adjusted later.

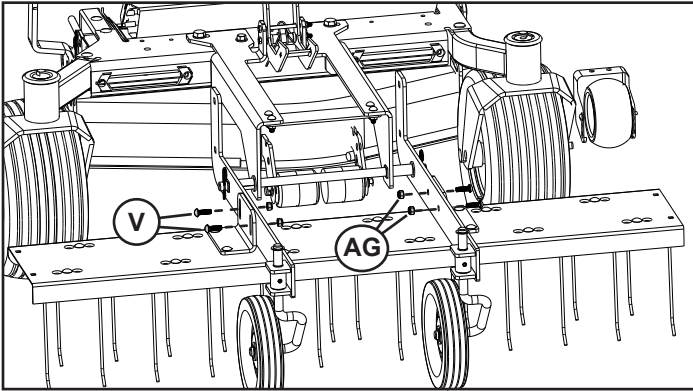
Step 6. Assemble Tray Bracket



1. Install two tray brackets (F) using four 5/16 x 3/4 in. carriage bolts (U) and four lock nuts (AG) to the tray assembly. One of the tines may need to be loosened temporarily in order to tighten the four lock nuts (AG).

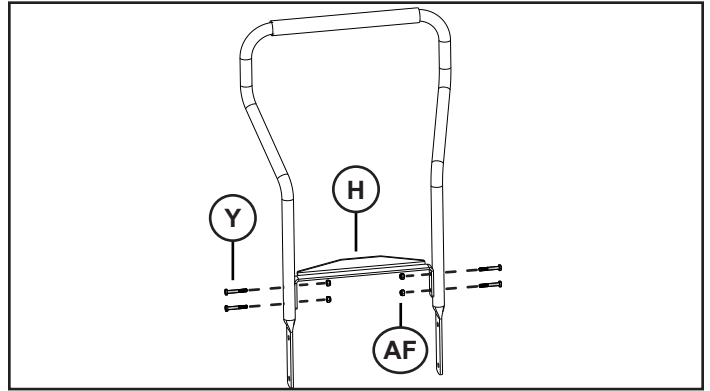
Assembly

Step 7: Install Tray Assembly



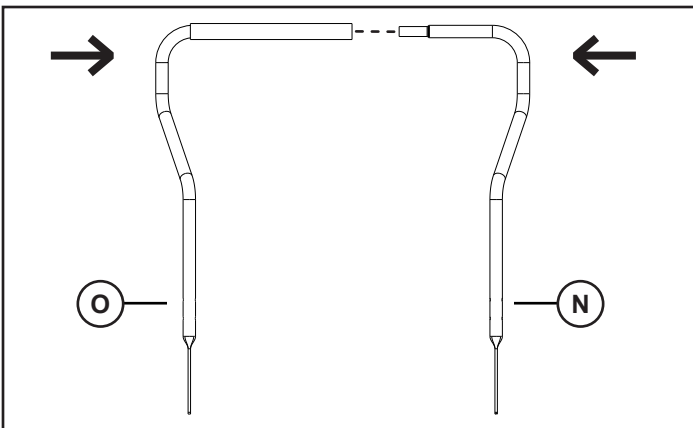
1. Assemble tray assembly to lift arms by installing four 5/16 x 1 in. carriage bolts (V) through tray brackets and lift arms and secure with four locknuts (AG).
2. Tighten all nuts completely.

Step 8-B. Assemble Handle Bars



1. Loosely install latch bar (H) to the handle bars with four 1/4 x 1-3/4 hex bolts (Y) and four lock nuts (AF) as shown with the vertical flange towards the hand grip and rider.
2. Tighten hardware once assembled. The handle bars will be pulled towards latch bar (H).

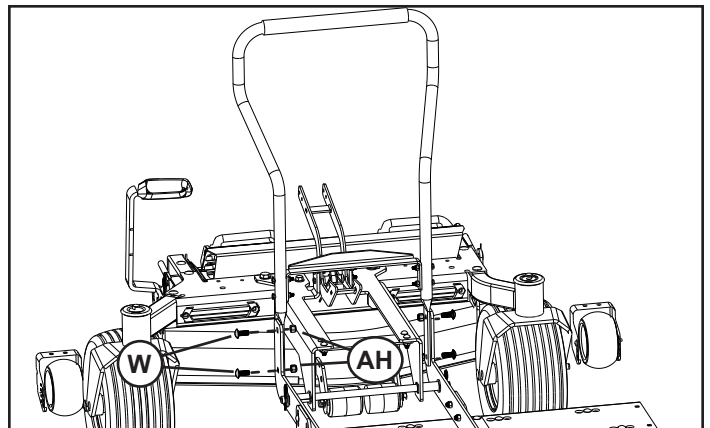
Step 8-A. Assemble Handle Bars



1. Slide the handle bar with foam (O) over the other handle bar (N).

NOTE: Use of compressed air or lubricant such as soapy water may be of assistance.

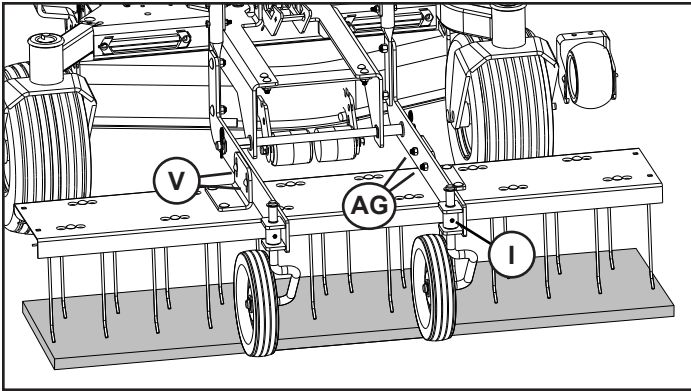
Step 9. Install Handle Assembly



1. Install handle assembly to the inside of the lift arms and secure with four 3/8 x 1 carriage bolts (W) and four lock nuts (AH).

Assembly

Step 10: Adjust Tray Height



1. Loosen the four 3/8 x 1-1/4 in. carriage bolts (**V**) and lock nuts connecting the lift arms to tray assembly.
2. Place tines on a 1/2 inch shim to support the tines off the ground.
3. Tighten the set screw (**I**) in the wheel assembly to set wheel height.
4. Tighten all nuts completely and remove shim.



JOHN DEERE

USE AND CARE

48" Front Mount Dethatcher

Read the general safety operating precautions in your machine operator's manual for additional safety information.

CALIFORNIA - Proposition 65 Warning.

Diesel engine exhaust and some of its constituents are known to the State of California to cause cancer, birth defects, and other reproductive harm.



If this product contains a gasoline engine:

WARNING: The engine exhaust from this product contains chemicals known to the State of California to cause cancer, birth defects or other reproductive harm.

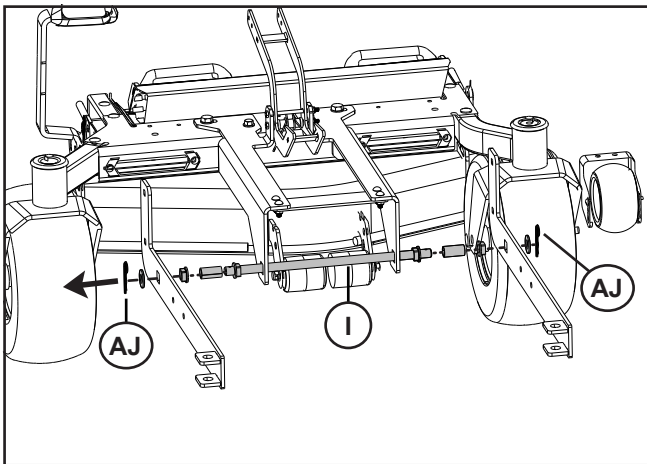
The State of California requires the above two warnings.
Additional Proposition 65 Warnings can be found in this manual.

Installation / Removal

Read the general safety operating precautions in your machine operator's manual for additional safety information.

Removing

1. Park machine safely.
(See "Parking Safely" in Safety section).

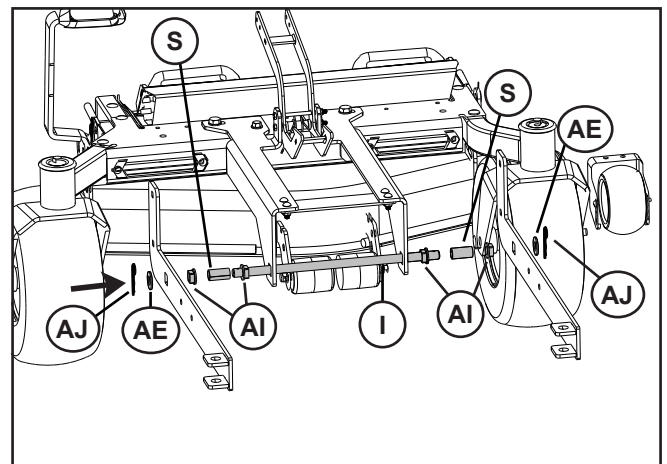


2. Remove one of the hairpin cotters (**AJ**) from axle (**I**) of dethatcher.
3. Pull axle from lift arms and removed the assembled lift arms and tray from the frame.

Installing

NOTE: Refer to illustration in the Removal Section, earlier in this manual.

1. Park machine safely.
(See "Parking Safely" in Safety section).
2. Align lift arms with the left and right mounts.
3. Assemble the lift arm assembly to the mounts using axle (**I**), four square bearings (**AI**), two spacers (**S**), two washers (**AE**), and two cotter hairpins (**AJ**) as shown.



Storing

Storing



CAUTION: Avoid injury!

Dethatcher tines can cause severe puncture wounds and death! Prevent contact with thatcher tines:

- *Always store dethatcher with tines facing floor surface.*
- *Never store dethatcher on elevated shelving. Dethatcher could fall onto bystanders.*

Before placing dethatcher in storage:

1. Tighten loose tines.
Replace damaged or missing tines.
2. Verify all tine retention wires are secure.
3. Clean attachment.
4. Repair or replace worn, bent, or damaged parts.
Tighten loose hardware.
5. Lightly sand any rust spots on main frame and brackets and apply paint as needed.
6. Apply paint to painted surfaces where needed to prevent rust.
7. Apply a thin coat of grease to tines and springs to prevent rust.
8. Lubricate any pivot points with engine oil to prevent rust.



CAUTION: Avoid damage!

ABRASIVE SURFACES CAN DAMAGE THE ATTACHMENT.

Store attachment on non-abrasive surface or on wooden blocks.

9. If storing attachment outdoors, block up attachment if possible and place a waterproof cover over it.

Operation

When to Use Dethatcher

The best times to dethatch are spring and fall. Grass should be less than 76 mm (3 in.) high for proper tine action.

Spring dethatching gives the grass a chance to grow strong before summer takes its toll, while a fall treatment will prevent pests from finding a fertile breeding ground in your lawn.

Use John Deere's tow-behind thatcherator to pull up excess thatch.

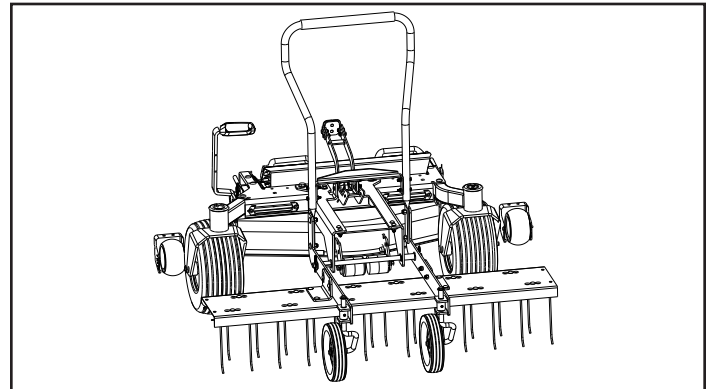
Using Dethatcher to Seed

Dethatcher can be used as a scarifier to scratch new ground to seed, or an established lawn to reseed. Lower dethatcher tines to operating position until, when operating, tines stay in their rearward working position, scratching ground and producing a good seedbed for seeds to germinate.

Do Not Modify Dethatcher

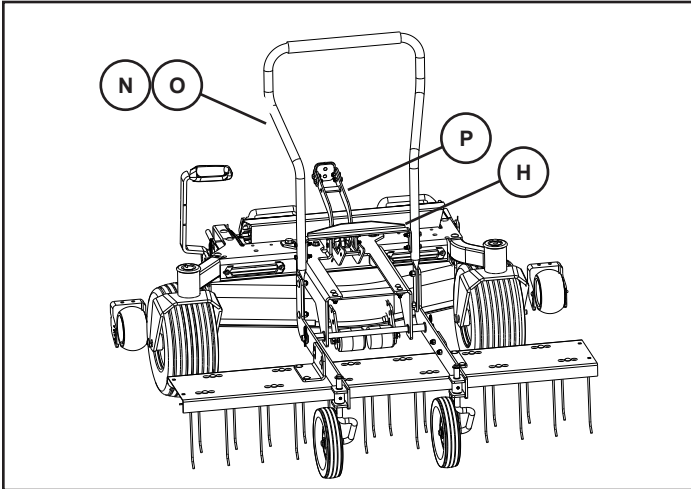
Unauthorized modifications of dethatcher may impair its function or safety, and reduce dethatcher longevity.

Tine retention safety wires prevent loose or broken tines from falling into mower path. Do not alter or remove any part of tine retention safety wires. If retention safety wires break or become removed from dethatcher, replace rods with parts from dealer before continuing dethatcher operation.



Operation

Using Lift Handle



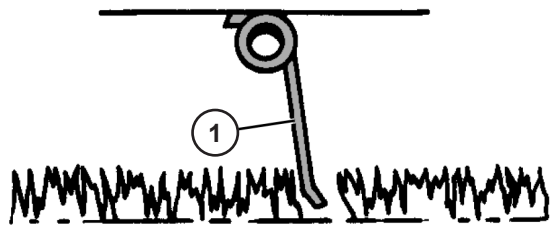
To Raise Dethatcher: Pull lift handle assembly (N,O) toward rear of machine until latch pedal (P) locks onto latch bar (H). Release handle when tray assembly is locked in an upright position.

To Lower Dethatcher: Pull lift handle assembly (N,O) toward rear of machine, press forward on latch pedal (P) and hold while slowly releasing lift handle assembly.

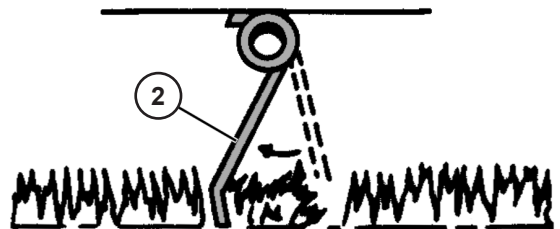
Adjusting Tine Action

Grass should be less than 76.2 mm (3 in.) tall for proper tine action. When in use, all tines on dethatcher should deflect back independently and flip thatch forward.

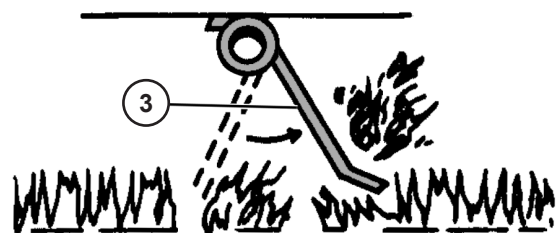
In the Free Position (1), tines are relaxed and not working.



In the Thatching Position (2), the tines are rearward and working.



Released Position (3), tines are flipping thatch up, ready to be picked up by mower / bagger or sweeper.



Operation

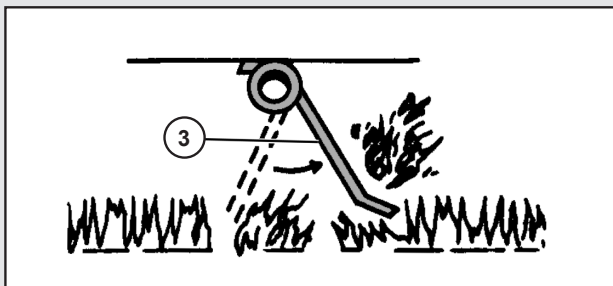
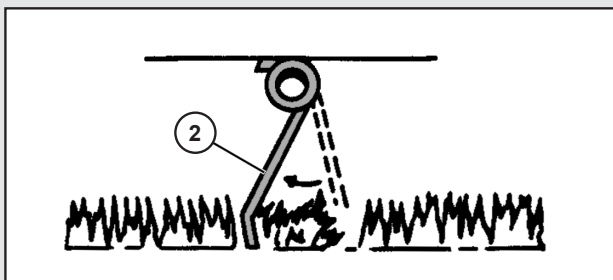
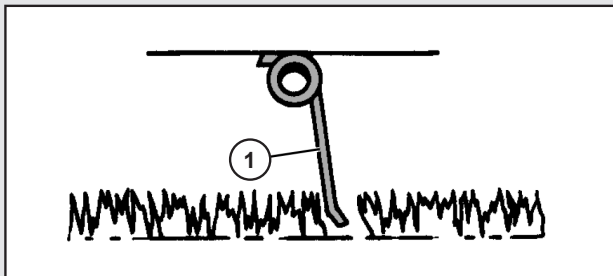
Thatching

Set dethatcher tines in released position (3) to loosen thatch for removal from lawn.

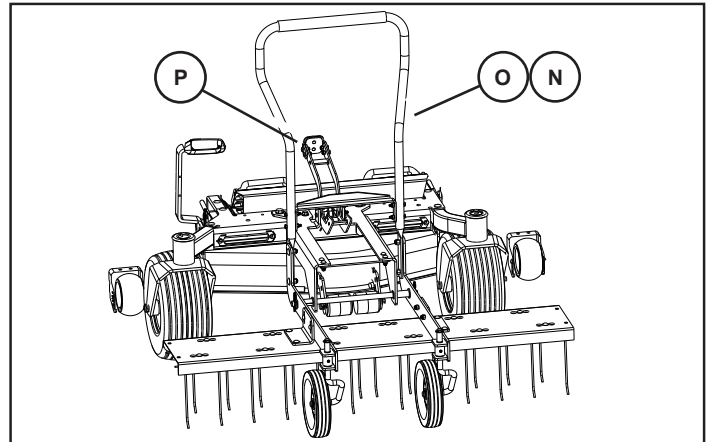
- If tines remain in thatching position (2) where they work but do not flip thatch up, lower wheels.
- If tines remain in free position (1) where they do not work or lift thatch, raise wheels.

Seeding

Set dethatcher tines to remain in thatching position (2) to seed or reseed lawn.



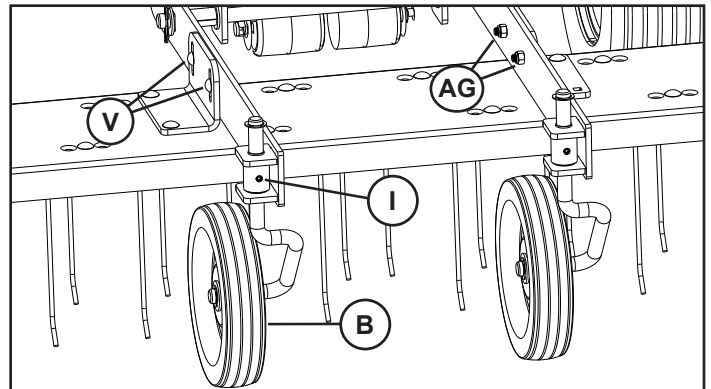
Leveling and Height Adjustment Steps 1 - 3.



NOTE: Level thatcher only when installed on mower.

1. Park machine safely.
(See *Parking Safely in the SAFETY section.*)
2. Pull lift handle assembly (O,N) toward rear of machine, press forward on latch pedal (P) and hold while slowly releasing lift handle assembly.
3. Place tines on a 1/2 inch shim to support the tines off the ground.

Step 4 - 6.



4. Loosen the four 3/8 x 1-1/4 in. carriage bolts (V) and lock nuts (AG) connecting the lift arms to tray assembly.
5. Level the tray then tighten all nuts.
6. Align each wheel (B) at same height supporting the tray using set screws (I) before removing the shim.

Operation

Checking Dethatcher Tines

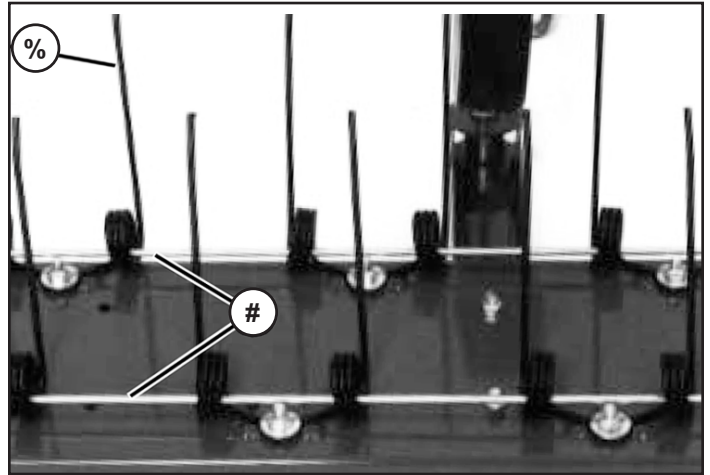


CAUTION: Avoid injury! A mower can pick up and throw broken tines.

Check tines on entire unit before and during each use. Replace cracked or broken tines before using dethatcher.

Check all tine retention safety wires. Secure if loose. Replace if damaged. Do not alter or remove.

1. Check tines (%) on entire unit for breaks or cracks. Replace broken or cracked tines with parts from the dealer.
2. Make sure retention safety rods (#) pass through all tines and are secured at ends.



Transporting Dethatcher

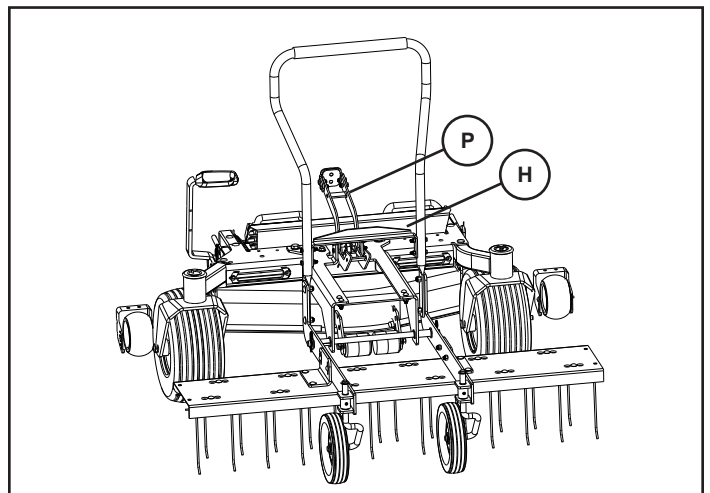
NOTE: When transporting, lock the dethatcher in transport position.



CAUTION: Avoid injury! Stop the machine before attempting to raise dethatcher to transport position.

Reduce speed when transporting thatcher in rough terrain. Always transport unit in up (transport) position.

1. Pull lift handle assembly toward rear of machine until latch pedal (P) locks onto latch bar (H). Release handle when tray assembly is locked in an upright position.



Service

Servicing the Attachment

CAUTION: Avoid injury! Tines are sharp. Wear gloves and handle with care. Shield sharp parts during service work.

Stop engine.

Set parking brake before performing any maintenance.

To prevent or eliminate rust on tines, apply a light oil on them after each use.

For rust appearing on any part of your attachment, sand lightly and coat with enamel.

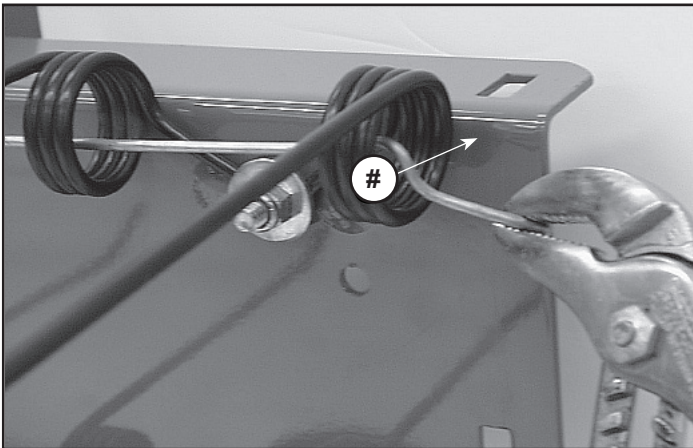
Apply a drop of lubricating oil to each nylon/tine bearing assembly, axles, springs, and working areas before each use.

Periodically check the tines. Remove any debris that might build up and restrict their action.

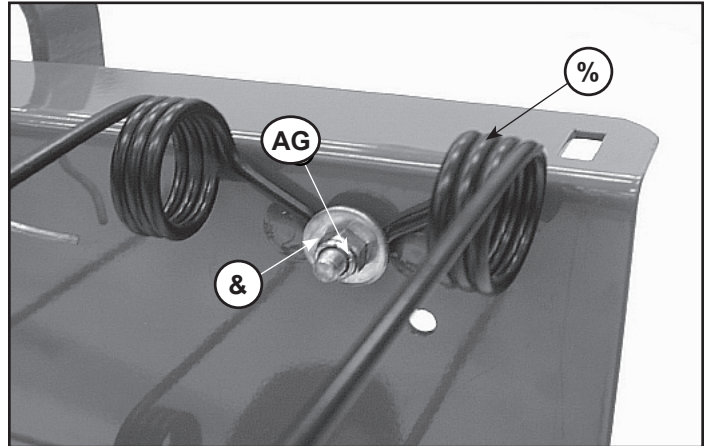
Periodically check tightness of all fasteners.

Disconnect battery or remove spark plug wire (for gasoline engines) before making any repairs to the mower.

Replacing Dethatcher Tines



1. Straighten end of retention safety wire (#) with pliers.
2. Remove safety wire from damaged tine set.



3. Remove and retain locknut (AG) and washer (&). Then remove and discard the damaged tine set.
4. Install new tine set making sure tine tips are pointed in same direction as the other tines on the unit. Secure with original hardware.
5. Slide safety wire through all tine coils. Bend ends of safety wire over last coil (%) at each end of unit.

Troubleshooting / Quality

Using Troubleshooting Chart

If you are experiencing a problem that is not listed in this chart, see your authorized dealer for service.

When you have checked all the possible causes listed and you are still experiencing the problem, see your authorized dealer.

If	Check
Debris Gets Stuck in Dethatcher	Back machine up with dethatcher lowered to free debris.
Dethatcher is Uneven	Level dethatcher.

John Deere Quality Continues with Quality Service

John Deere provides a process to handle your questions or problems, should they arise, to ensure that product quality continues with quality parts and service support.

Follow the steps below to get answers to any questions you may have about your product.

1. Refer to your attachment and machine operator manuals.
2. In North America or Canada, call Brinly-Hardy Co. Customer Service at 1-866-218-8622 and provide product serial number (if available) and model number.

Notes:

This product was manufactured by Brinly-Hardy Co., a John Deere Licensee, located at 3230 Industrial Pkwy, Jeffersonville, IN 47130. If you have any questions or concerns with the assembly, installation or operation of this attachment see your local John Deere Dealer or call Brinly-Hardy Co. at 866-218-8622 for assistance.



Warranty

Limited Warranty for New John Deere Licensed Products

A. General Provisions – The warranties described below are provided by manufacturer, Brinly Hardy Company, on John Deere Licensed products to the original purchaser of new Lawn and Garden attachments from authorized John Deere Dealers & Retailers. Under these warranties, the manufacturer will repair or replace, at its option, any covered part found to be defective in material or workmanship during the applicable warranty term. The purchaser will be responsible, however, for any service call and / or transportation of product to and from the dealer's place of business, for any premium charged for overtime labor requested by the purchaser, and for any service and/or maintenance not directly related to any defect covered under the warranties below.

B. What is warranted – All parts of any new John Deere Licensed product, are warranted for the number of months specified below. When you call please have the serial number, if applicable, and model number.

C. What is not warranted – 1) Used products; (2) Any product that has been altered or modified in ways not approved by the manufacturer; (3) Depreciation or damage caused by normal wear, lack of reasonable and proper maintenance, failure to follow operating instructions, misuse, lack of proper protection during storage, or accident; (4) normal maintenance parts and service.

D. Securing Warranty Service – To secure warranty service, the purchaser must (1) report the product defect to an authorized dealer, or to the manufacturer by calling 866-218-8622, and request repair within the applicable

warranty term, (2) present evidence of the warranty start date, and (3) make the product available to the dealer or service center within a reasonable period of time.

E. Limitation of implied warranties and other remedies – To the extent permitted by law, neither John Deere nor any company affiliated with it makes any warranties, representations or promises as to the quality, performance or freedom from defect of the equipment covered by this warranty. Implied warranties of merchantability and fitness for a particular purpose, to the extent applicable, shall be limited in duration to the applicable period of warranty set forth on this page. The purchaser's only remedies in connection with the breach or performance of any warranty on the John Deere Lawn and Garden attachments are those set forth on this page. In no event will the Dealer, John Deere or the manufacturer be liable for incidental or consequential damages. (Note: Some states do not allow limitations on how long an implied warranty lasts or the exclusion or limitation of incidental or consequential damages so the above limitations and exclusions may not apply to you.) This warranty gives you specific legal right, and you may also have other rights, which vary from state to state.

F. No Dealer Warranty – The selling Dealer makes no warranty of its own and the Dealer has no authority to make any representation or promise on the behalf of John Deere or the manufacturer to modify the terms or limitations of the warranty in any way.

Manufacturer's Lawn & Garden Attachments	*Warranty Term
Steel Frame	2 Years
Transmission (gearbox)	2 Years
Poly Hoppers & Beds	2 Years
Wheels	1 Year
Hydraulics	1 Year
Drive Gears	1 Year
Other normal wear parts	1 Year

**Each Warranty Term begins on the date of product delivery to the purchaser.*

Register your John Deere Licensed Product by completing & mailing in the enclosed Warranty Registration Card.
For Customer Service: Please call 866-218-8622