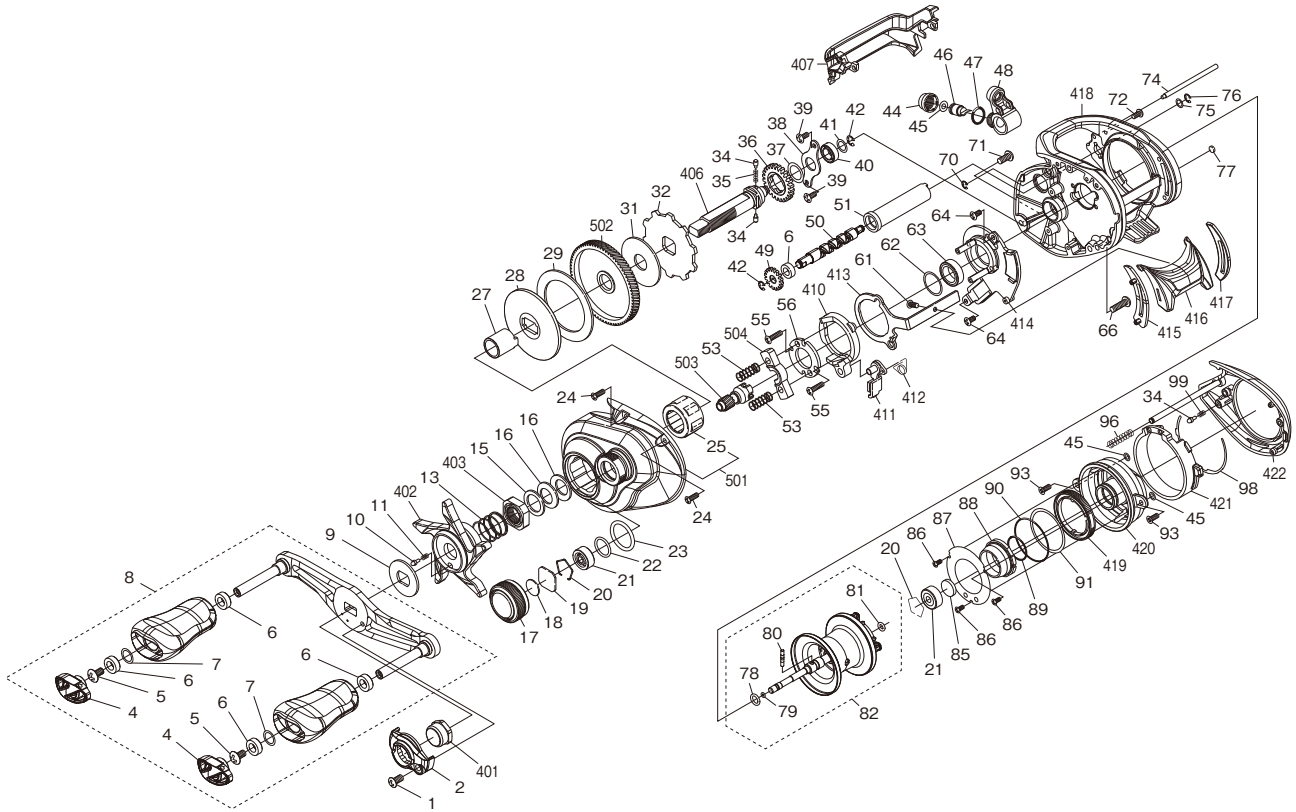


# SHIMANO

## SLX

## SLX71HGA



(51RL744A31X)

#	Part No.	Description	#	Part No.	Description	#	Part No.	Description
1	101VV	Screw	41	10C47	Washer	89	10LA8	O Ring
2	10Q5T	Handle Nut Plate	42	105NK	E Lock	90	10CG1	O Ring
4	1027R	Handle Knob Seal	44	10FJB	Pawl Cap	91	10RHW	Washer
5	103E9	Screw	45	10CFU	Washer	93	100UL	Screw
6	10PXZ	Bushing	46	10BHQ	Worm Shaft Pin	96	10KNH	Spring
7	104FH	Washer	47	108WQ	O Ring	98	100ND	Washer
8	13ZYD	Handle Assembly	48	10DUG	Line Guide Assembly	99	10GQZ	Click Spring
9	10J22	Star Drag Click Plate	49	10SRL	Idle Gear C	401	10049	Handle Nut
10	10MFC	Click Pin	50	13ZY5	Worm Shaft	402	100DS	Star Drag
11	10BT2	Click Spring	51	100UF	Level Wind Guard	403	10A3U	Star Drag Nut
13	10A70	Star Drag Spring	53	100U9	Yoke Spring	406	100VZ	Drive Shaft
15	10J1N	Star Drag Spacer	55	10LV0	Screw	407	10RMX	Level Wind Protector
16	109F5	Washer	56	100US	Clutch Cam Retainer	410	100W0	Clutch Cam
17	10050	Cast Control Cap	61	10LF4	Screw	411	10MQM	Clutch Pawl Assembly
18	10896	Cast Control Spacer B	62	10190	Washer	412	10TMC	Clutch Pawl Spring
19	1085F	Cast Control Spacer A	63	10EX6	Ball Bearing	413	100W5	Clutch Plate
20	1054D	Bearing Retainer	64	10LCT	Screw	414	10DJ8	Clutch Guard Assembly
21	105C0	Ball Bearing	66	100UV	Screw	415	10TFB	Clutch Bar Guide B
22	101GT	O Ring	70	105NB	E Lock	416	10TF9	Clutch Button
23	10R22	O Ring	71	100UU	Screw	417	100W3	Clutch Bar Guide A
24	10LCY	Screw	72	100U4	Screw	418	13ZY5	Frame
25	10F5C	Roller Clutch Bearing	74	100UT	Stabilizer Bar	419	10055	Brake Dial
27	100UC	Roller Clutch Inner Tube	75	10FJZ	Washer	420	145GG	Dial Case
28	10D3H	Key Washer	76	105NC	E Lock	421	10T4Q	B Side Plate Cam Lever
29	106XT	Drag Washer	77	108PY	Washer	422	145GH	B Side Plate Assembly
31	10CHF	Drag Washer	78	10TM7	O Ring	501	145GJ	A Side Plate Assembly
32	10D73	Anti-Reverse Ratchet	79	100BH	O Ring	502	10CME	Drive Gear
34	10HJF	Idle Gear Pin	80	10P67	Spool Clutch Pin	503	10CSD	Pinion Gear
35	10JDY	Idle Gear Spring	81	10EZ7	O Ring	504	1001Q	Yoke
36	101K8	Idle Gear A	82	13ZYE	Spool Assembly			
37	108WU	O Ring	85	10EX5	Bearing Spacer			
38	109T1	Drive Shaft Retainer	86	10E7R	Screw			
39	10E23	Screw	87	100HC	Brake Dial Retainer Plate			
40	105BL	Ball Bearing	88	10E6U	Brake Ring Gear			

Please note that the number of adjusting washers may not be the same as shown in the exploded views.  
(Adjustment will vary with each individual product.)

(240205)\_002