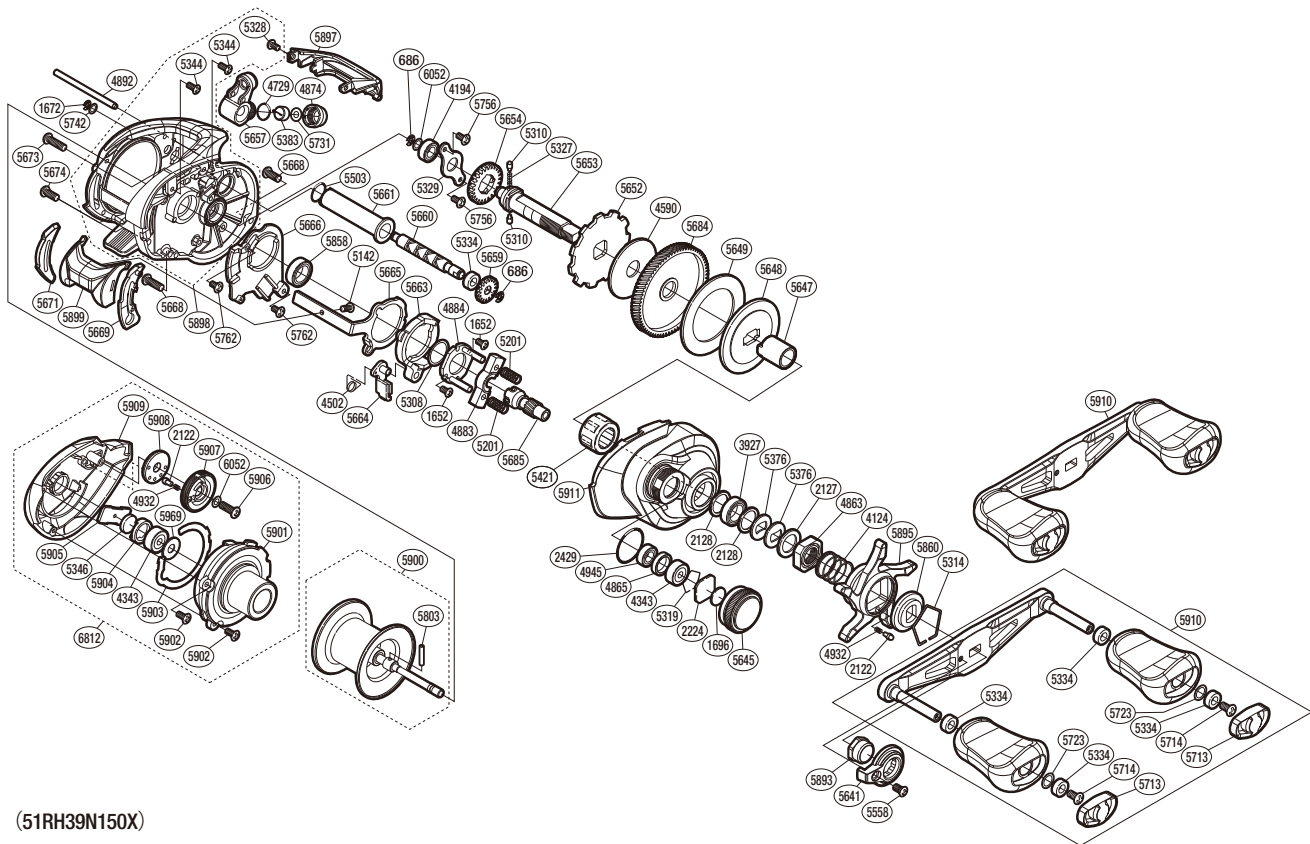


# SHIMANO

## CURADO DC

## CUDC150HG



(51RH39N150X)

#	Part No.	Description	#	Part No.	Description	#	Part No.	Description
686	105NK	E Lock	5329	109T1	Drive Shaft Retainer	5713	10SS2	Handle Knob Seal
1652	10LVE	Screw	5334	10PXZ	Bushing	5714	10LFA	Screw
1672	105NC	E Lock	5344	10MPD	Screw	5723	1003Z	Washer
1696	10896	Cast Control Spacer	5346	10EX5	Spacer B	5731	1003S	Spacer
2122	10BT0	Click Pin	5376	109F5	Drag Spring Washer	5742	10S42	Washer
2127	10J1N	Star Drag Spacer	5383	10BHQ	Line Guide Pawl	5756	10S3Y	Screw
2128	105PW	Washer	5421	10TM8	Roller Clutch Bearing	5762	10S57	Screw
2224	1085F	Spool Tension Spacer	5503	101GT	O Ring	5803	10MD0	Spool Clutch Pin
2429	108WK	O Ring	5558	10R1Q	Screw	5858	105BT	Ball Bearing
3927	10EX8	Ball Bearing	5641	10SSK	Handle Nut Plate	5860	10J26	Star Drag Click Plate
4124	10A70	Star Drag Spring	5645	10SRP	Cast Control Cap	5893	10EBA	Handle Nut
4194	105BP	Ball Bearing	5647	10SRM	Roller Clutch Inner Tube	5895	10T9V	Star Drag
4343	105C3	Ball Bearing	5648	10SSR	Key Washer	5897	10T9W	Level Wind Protector
4502	104CN	Clutch Pawl Spring	5649	10SSF	Drag Washer	5898	10T50	Frame Assembly
4590	10CHY	Drag Washer	5652	10SSJ	Anti-Reverse Ratchet	5899	10T5A	Clutch Button
4729	108WQ	O Ring	5653	10SG7	Drive Shaft	5900	100DU	Spool Assembly
4863	10A3T	Star Drag Nut	5654	101K8	Idle Gear	5901	10TA4	B Side Plate Substrate
4865	10EYS	Bearing Spacer	5657	101E0	Line Guide Assembly	5902	10TBS	Screw
4874	10FJB	Pawl Cap	5659	10SRL	Idle Gear	5903	10T4P	Washer
4883	1046V	Yoke	5660	10ST0	Worm Shaft	5904	100Q2	Bearing Retainer
4884	10F3X	Clutch Cam Retainer	5661	10SSP	Level Wind Guard	5905	100Q5	Spool Shaft Spacer
4892	10QSE	Stabilizer Bar	5663	10SG1	Clutch Cam	5906	10LFN	Screw
4932	10GQZ	Click Spring	5664	101M5	Clutch Pawl Assembly	5907	10T5C	Brake Dial
4945	105BR	Ball Bearing	5665	10SSV	Clutch Plate	5908	10TA1	Click Ring
5142	10559	Screw	5666	10SST	Clutch Guard	5909	10TA5	Left Side Plate
5201	104BC	Yoke Spring	5668	10SXB	Screw	5910	100EA	Handle Assembly
5308	10190	Washer	5669	10SG5	Clutch Bar Guide B	5911	10TAP	Right Side Plate
5310	10HJG	Idle Gear Pin	5671	10SRK	Clutch Bar Guide A	5969	10B94	Bearing Seal
5314	10KXW	Click Plate Retainer	5673	10LHY	Screw	6052	100MF	Washer
5319	1054D	Bearing Retainer	5674	10SXA	Screw	6812	10T56	Left Side Plate Assembly
5327	10JDY	Idle Gear Spring	5684	10ST3	Drive Gear			
5328	10LCQ	Screw	5685	10SGC	Pinion Gear			

Please note that the number of adjusting washers may not be the same as shown in the exploded views.  
(Adjustment will vary with each individual product.)

(230608)\_013