

Installation and Care Guide

Vanity

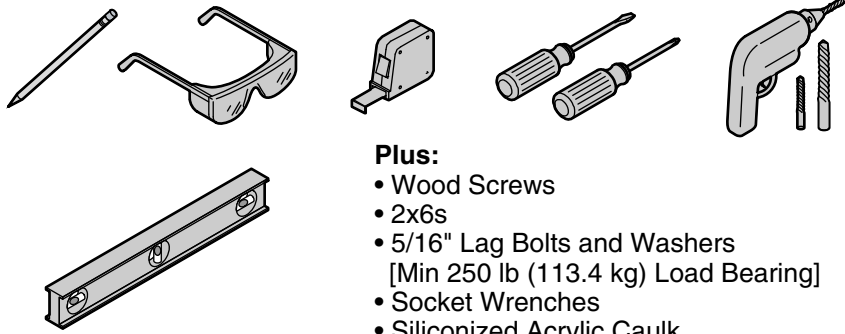
K-2604, K-5288, K-5289

M product numbers are for Mexico (i.e. K-12345**M**)
Los números de productos seguidos de
M corresponden a México (Ej.
K-12345**M**)
Français, page "Français-1"
Español, página "Español-1"

THE BOLD LOOK
OF **KOHLER**®

1267640-2-A

Tools and Materials



Plus:

- Wood Screws
- 2x6s
- 5/16" Lag Bolts and Washers
[Min 250 lb (113.4 kg) Load Bearing]
- Socket Wrenches
- Siliconized Acrylic Caulk

Before You Begin



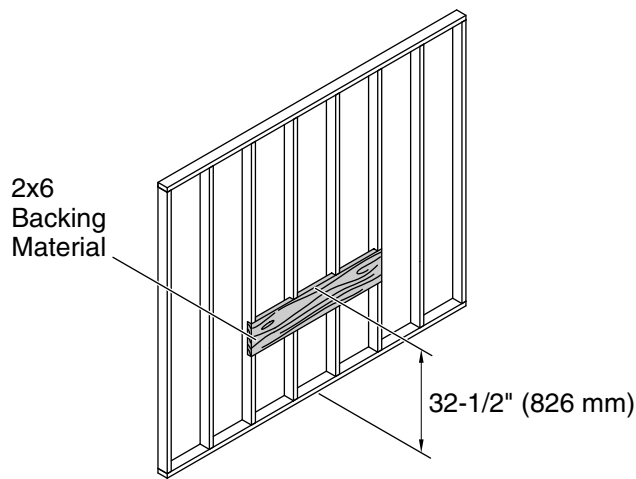
CAUTION: Risk of property damage. Select 250 lb (113.4 kg) load bearing 5/16" lag bolts with a length to clear obstacles in the wall **and** 5/16" washers. Calculate proper lag bolt length by adding the following: 1-1/2" (38 mm) backing material + wallboard thickness + back rail thickness.

IMPORTANT! Risk of product damage. Do not modify the vanity. Doing so will compromise structural stability.

IMPORTANT! Risk of product damage. Use care when moving the vanity to avoid impacting, sliding, or side-loading the legs.

NOTICE: Siliconized acrylic caulk **must** be used to secure the sink to the vanity. Do not use 100% silicone sealant which will damage the finish of the vanity.

NOTICE: The finished wall must be straight and plumb to ensure proper support of the vanity and alignment of the sink and door.



1. Prepare the Site

NOTICE: If the K-2607 bridge cabinet will also be installed, extend the backing material a minimum of 12" (305 mm) beyond the width of the vanity on the side where the bridge will be installed.

NOTICE: To properly secure the vanity, the top of the required 2x6 backing material must be 32-1/2" (826 mm) from the finished floor.

- Measure and mark 32-1/2" (826 mm) up from the finished floor. This will be the height from the finished floor to the top of the 2x6 backing material.
- Ensure there are no obstructions in the wall (such as wiring or plumbing) from the marked height down to the floor. If there are obstructions, select another area to install the vanity.

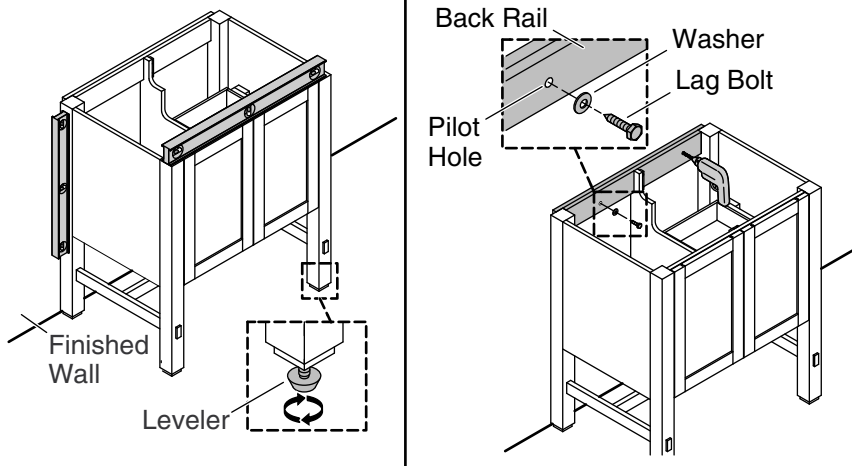
NOTICE: Extend the backing material beyond the width of the vanity to the nearest stud to ensure proper support for the vanity.

- Front-notch the studs 1-1/2" (38 mm) to ensure the 2x6 backing material is flush against the studs.
- Secure the 2x6 backing material to the studs with framing nails.
- Rough-in the water supply and drain lines into the rough-in plumbing area of the vanity.

NOTICE: The finished wall must be straight and plumb to ensure proper support of the vanity and alignment of the sink and door.

Prepare the Site (cont.)

- Complete the finished wall. Make sure the finished wall is straight and plumb, and the floor is flat and perpendicular to the finished wall.



2. Secure the Vanity



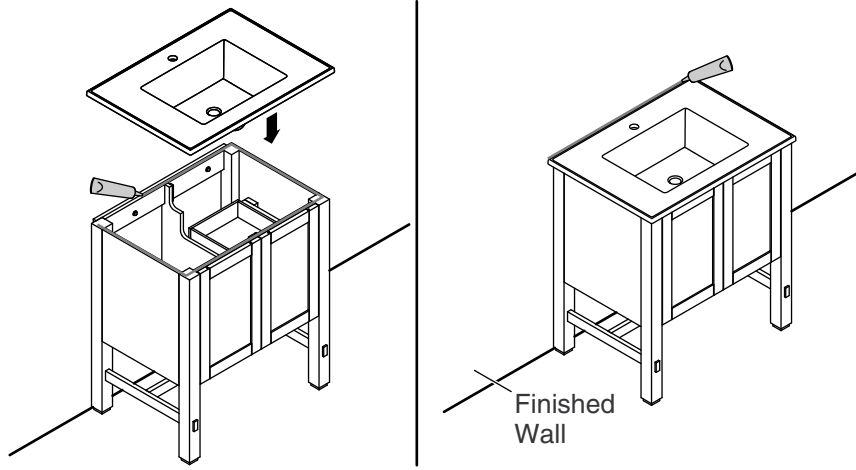
CAUTION: Risk of property damage. Select 250 lb (113.4 kg) load bearing 5/16" lag bolts with a length to clear obstacles in the wall **and** 5/16" washers. Calculate proper lag bolt length by adding the following: 1-1/2" (38 mm) backing material + wallboard thickness + back rail thickness.

IMPORTANT! Risk of product damage. Use care when moving the vanity to avoid impacting, sliding, or side-loading the legs.

- With assistance, lift and place the vanity in position against the finished wall. **Do not drag the vanity into position.**
- Verify the vanity is level and the back rail is plumb against the wall. If necessary, turn the leveler(s) to adjust the unit.
- Using a 1/4" drill bit, drill pilot holes through the back rail and the finished wall. Verify the pilot holes are positioned to ensure the lag bolts will engage the 2x6 backing material.
- Secure the vanity to the wall with two 5/16" lag bolts and washers (not provided).

Install the Bridge Cabinet (Optional)

- Refer to the installation instructions packed with the K-2607 bridge cabinet.



3. Install the Bathroom Sink



CAUTION: Risk of personal injury. Vitreous china sinks are very heavy. Get help lifting and aligning the sink.

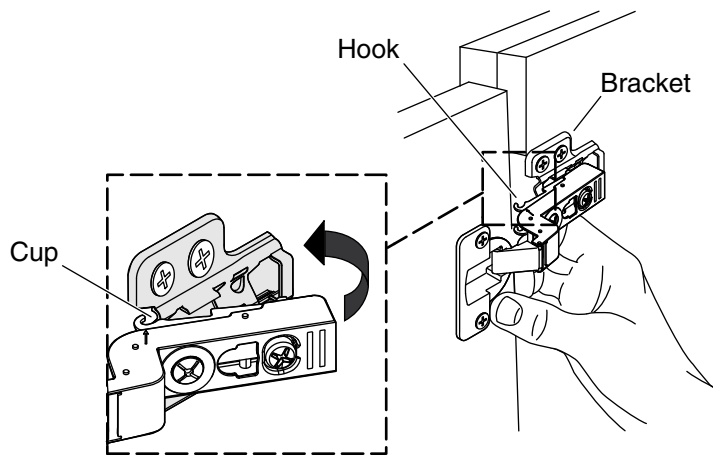
- Install the faucet (if applicable) and drain to the sink. Refer to the faucet and drain manufacturer's installation instructions.

NOTICE: Siliconized acrylic caulk **must** be used to secure the sink to the vanity. Do not use 100% silicone sealant which will damage the vanity finish.

- Run a 1/4" (6 mm) continuous bead of siliconized acrylic caulk around the top of the vanity, as illustrated.

NOTE: The sink is properly positioned when: (1) the back edge of the sink is flush against the finished wall and (2) the overhang on the left, right, and front side of the sink is equal on each side of the vanity.

- With assistance, lift and properly position the sink on top of the vanity.
- Immediately wipe away any excess caulk that contacts the vanity.
- Run a 1/8" (3 mm) bead of siliconized acrylic caulk along the top edge of the sink where it contacts the finished wall.

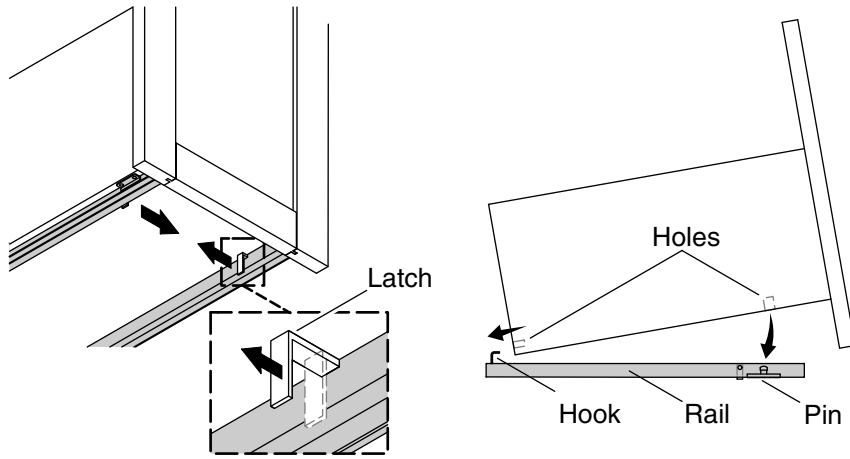


4. Reverse Door Swing (Optional - 24" only)

NOTE: To ease installation, get assistance supporting the door.

NOTE: The vanity comes with hinges installed on the inside left. To reverse the door swing, use the included template (1181754-7) to mount the brackets to the opposite side of the vanity.

- Align the hinge hooks with the cup of the top bracket.
- Slide the hinge onto the top bracket.
- Clip the hinge onto the bracket to secure.
- Repeat for the lower hinge.



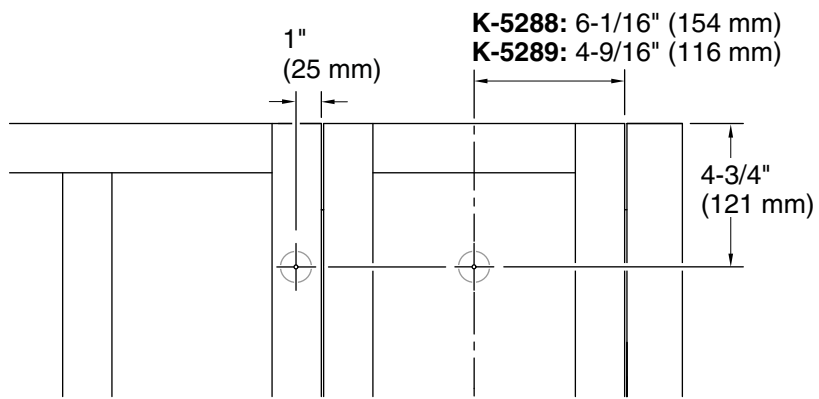
5. Adjust the Drawers

Remove

- Slide the drawer out until fully extended.
- From underneath, pull the release latches toward the center of the drawer.
- Lift the front of the drawer and pull toward you to disengage from the rails.
- Once removed, lay the drawer on a flat, protective surface.

Reinstall

- Fully extend the rails.
- Align the holes in the back of the drawer with the rail hooks.
- Rotate the drawer down onto the rails, engaging the front drawer holes with the rail pins.
- From underneath, push the release latches into the rails to secure the drawer.



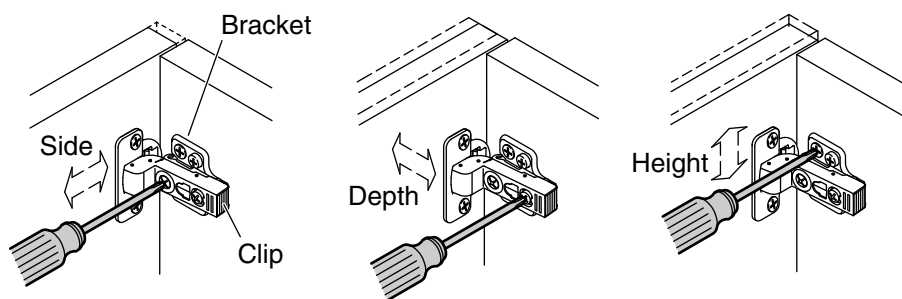
6. Recommended Hardware Placement

- Measure and mark the dimensions for the hardware as shown above.
- Drill a 3/16" (21 mm) pilot hole at each marking.
- Drill a finished hole to size.
- Insert a screw through each hole. Thread the knob onto the screw.

24" Vanity Installation

- From the back side of the door, insert the screw through the predrilled hole.
- Thread the knob onto the screw. Tighten securely.
- Repeat for the drawer.

Adjustments



Adjust the Door

Adjust

- Refer to the illustration and note the screwdriver location for the desired adjustment.

Remove

- Apply a small amount of leverage to the door with one hand to keep the door in the full open position.
- With the other hand, press the clip to release the lower hinge latch from the bracket.
- Repeat for the upper hinge.
- Move the door forward to slide the hinges off the brackets.

Reinstall

- Apply a small amount of leverage to the door with one hand to keep the door in the full open position.
- With the other hand, align the top hinge with the top bracket.
- Clip the hinge onto the bracket to secure.
- Repeat for the lower hinge.
- Open and close the door to ensure proper operation.

Care and Cleaning

Vitreous China and Fireclay

- Use a mild detergent such as liquid dishwashing soap and warm water for cleaning. Do not use abrasive cleaners that may scratch or dull the surface.

Care and Cleaning (cont.)

- Carefully read the cleaner product label to ensure the cleaner is safe for use on the material.
- Always test your cleaning solution on an inconspicuous area before applying to the entire surface.
- Do not allow cleaners to sit or soak on the surface.
- Wipe surfaces clean and rinse completely with water immediately after cleaner application. Rinse and dry any overspray that lands on nearby surfaces.
- Use a soft, dampened sponge or cloth. Never use an abrasive material such as a brush or scouring pad to clean surfaces.

Wood Surfaces

- As with any smooth surface, avoid using abrasive cleaners as they will scratch the surface. Wipe the wood surface regularly to prevent buildup of soap and scum.
- To protect against scratches, use felt, leather, or cork under all items placed on the wood surface. To conceal scratches, a touch-up marker is available for order. Contact a Kohler distributor or call 1-800-4-KOHLER for ordering information.
- Do not expose wood furniture to direct sunlight, drying heat sources, or dampness.
- Dust frequently with a soft cloth in the direction of the grain. Use only products specifically made for cleaning wood. Avoid using oily polishes or waxes, or products containing silicone. Blot spills immediately with a soft, damp cloth.
- Every six months, remove soil buildup by rubbing with a soft cloth dampened in a 50/50 solution of warm water and an ammonia-free detergent. Wipe clean with a cloth dampened in warm water, then wipe dry.

For detailed cleaning information and products to consider, visit www.kohler.com/clean. To order Care & Cleaning information, call 1-800-456-4537.