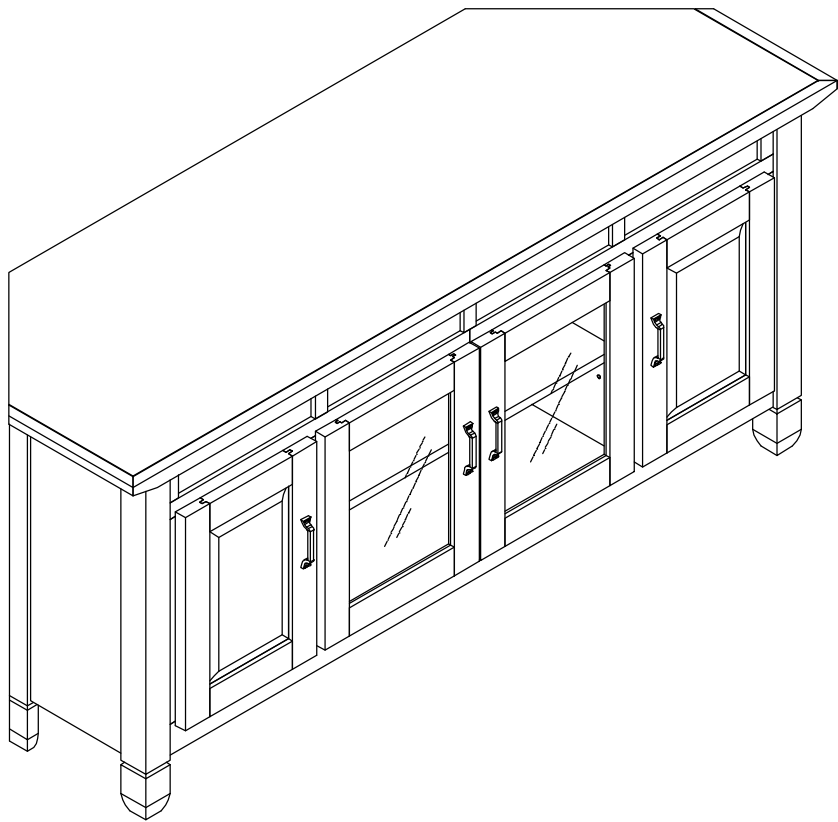



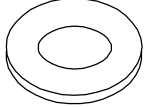
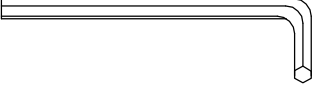
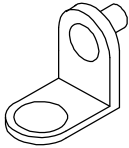
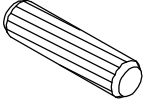


ITEM #89386  
Rustic Oak 56" Corner TV Console  
with Slate Tiles

**Leick**  
Home  
SINCE 1910

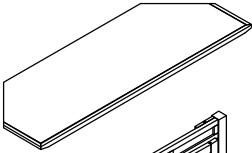
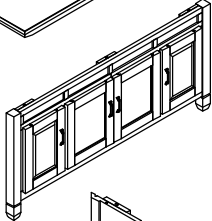

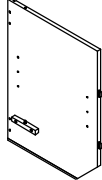
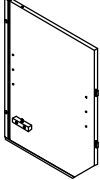

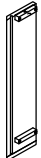

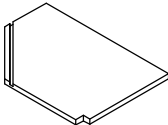
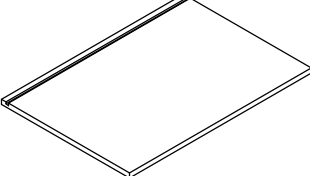
2219 S. 19th St.  
Sheboygan, WI 53081  
Ph: 920-451-4060  
Fax: 920-451-4063  
[info@leickhome.com](mailto:info@leickhome.com)



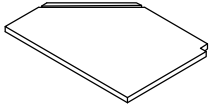
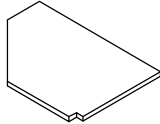
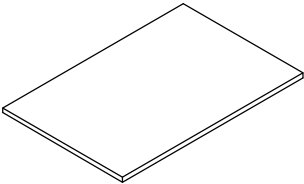
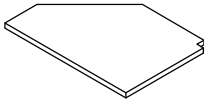
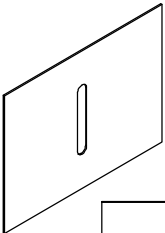
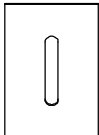
# Hardware List

Item	Description	Qty
a	 Long Bolt 1/4"x1-1/8"	11PCS
b	 Flat Washer 1/4"x12mm	11PCS
c	 Allen wrench	1PC
d	 Shelf metal clip	12PCS
e	 Wood Dowel	8PCS
f	 Door Pull	4PCS
g	 Machine Screw 5/32"x7/8"	8PCS

# Parts List

Item	Description	Qty
A	 Top	1PC
B	 Front Frame	1PC
C	 Left Side Panel	1PC
D	 Middle Left Side Panel	1PC
E	 Middle Right Side Panel	1PC
F	 Right Side Panel	1PC
G	 Left Back Panel	1PC
H	 Right Back Panel	1PC
I	 Left Bottom Panel	1PC
J	 Middle Bottom Panel	1PC

# Parts List

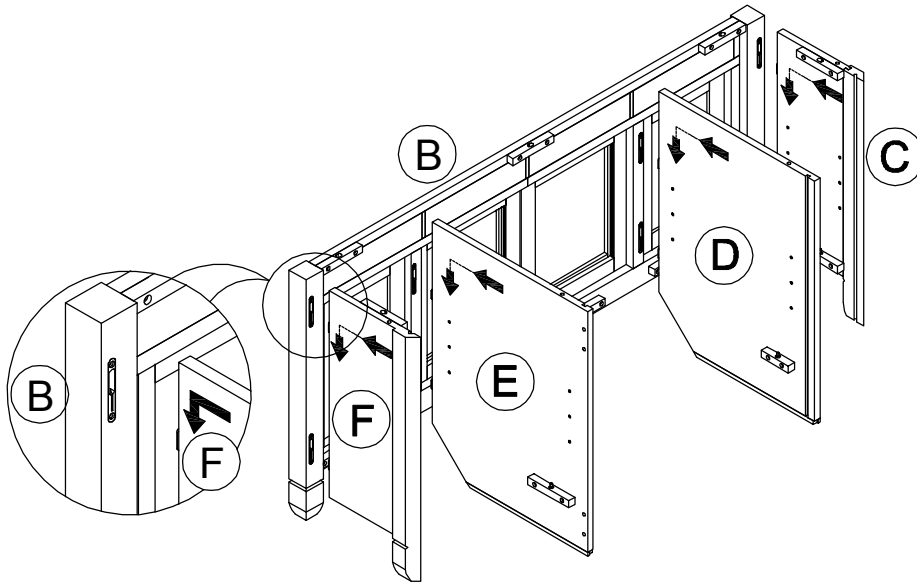
	Item	Description	Qty
K		Right Bottom Panel	1PC
L		Left Adjustable Shelf	1PC
M		Middle Adjustable Shelf	1PC
N		Right Adjustable Shelf	1PC
O		Middle Back Panel	1PC
P		Side Back Panel	2PCS

# Assembly Instructions

Two person assembly recommended.

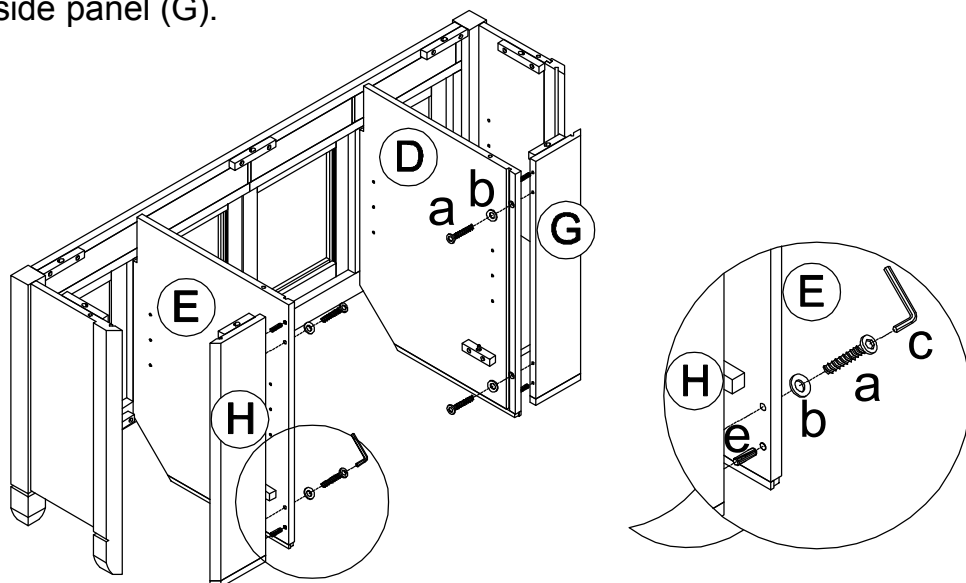
## step 1

Insert the side panel (F) onto the front frame, push down the side panel to make it tight. Do the same assembly step on (E & D & C) panels.



## step 2

Insert two wooden dowels (e) on back side panel (H), then fasten back side panel with two bolts on center vertical panel (E). Do the same thing on the other back side panel (G).

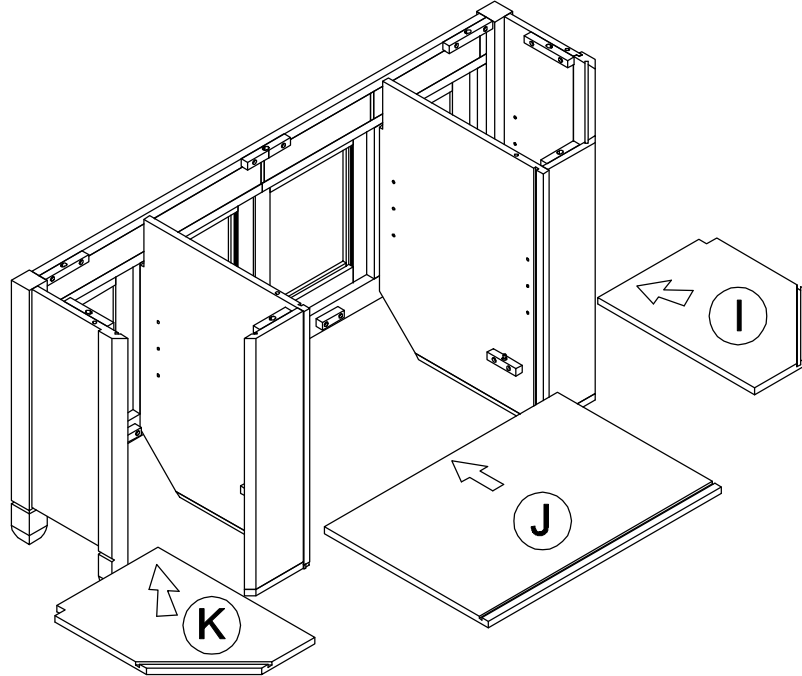


# Assembly Instructions

Two person assembly recommended.

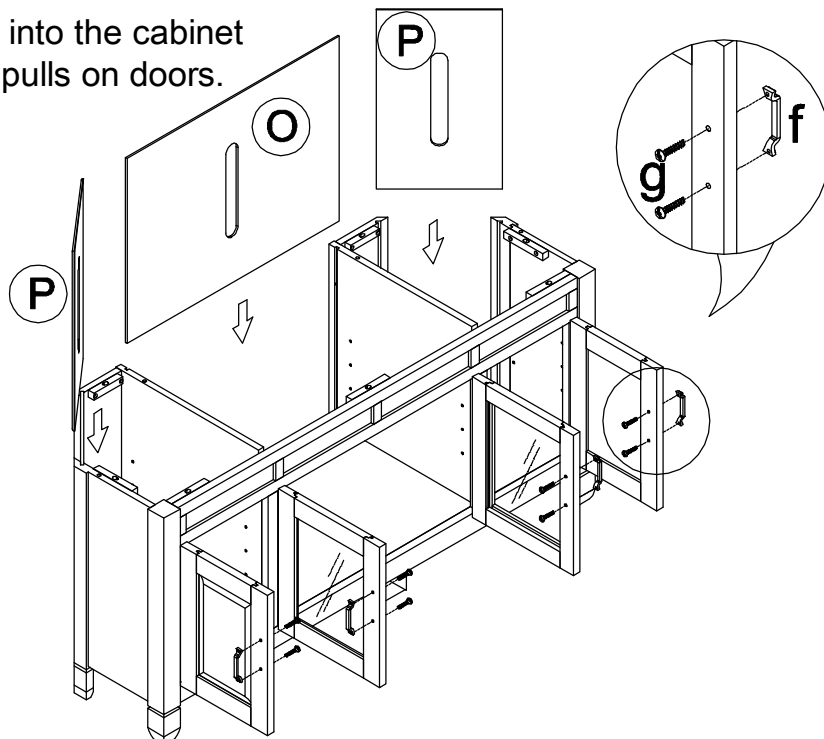
## step 3

Insert the bottom panels from the back of unit.



## step 4

Slide all back panels into the cabinet grooves. Fasten the pulls on doors.

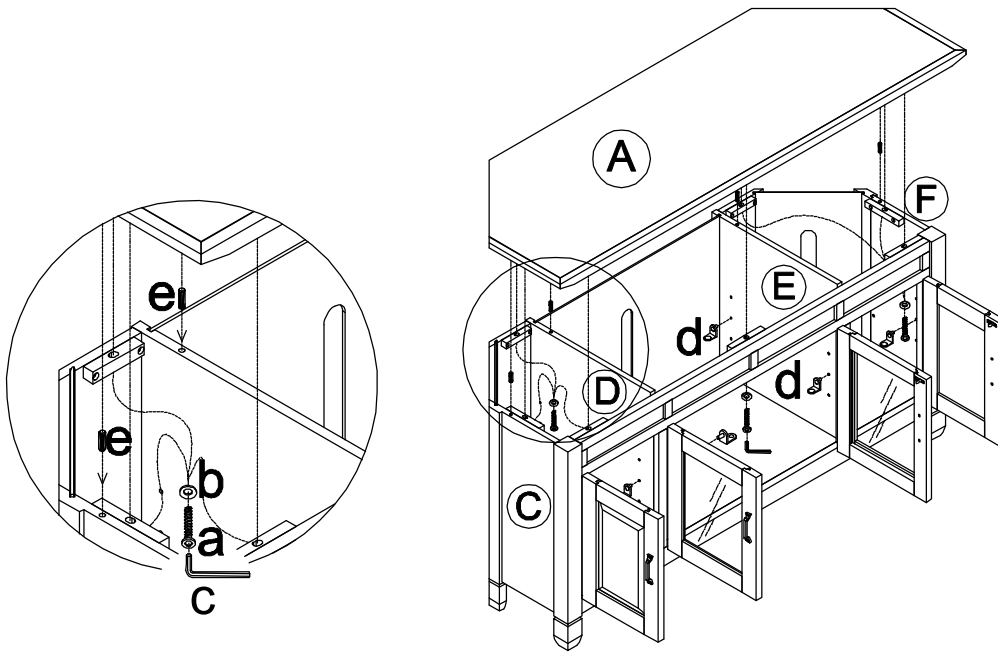


# Assembly Instructions

Two person assembly recommended.

## step 5

Insert all shelf supports into the cabinet. And insert four wooden dowels (e) on the top of (C & D & E & F) panels. Fasten the top with bolts.



## step 6

Place the shelves on shelf supports.

