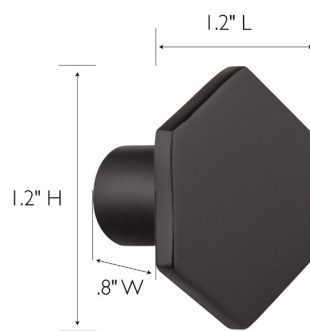
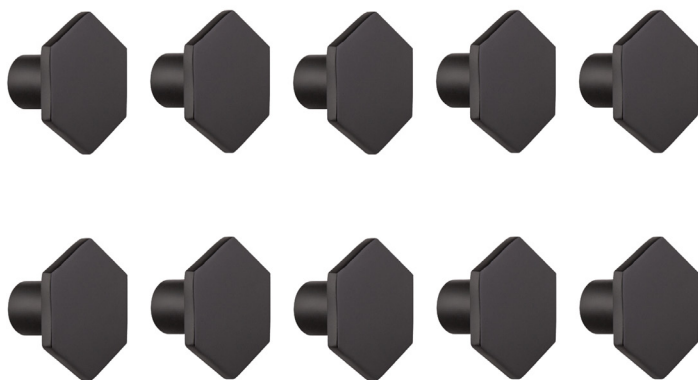


Solid Hexagon Cabinet Knob, 10-Pack

Matte Black



SPECIFICATIONS

MATERIAL CONSTRUCTION:	Zinc
MOUNTING HARDWARE INCLUDED:	Yes
TOOLS NEEDED FOR INSTALLATION:	Screwdriver
ASSEMBLED DIMENSIONS:	1.2" H x 1.2" L x .8" W
PROJECTION:	1.2"
KNOB DIAMETER:	1.2"
ASSEMBLED WEIGHT:	.88 lbs.

WARRANTY: 1-Year limited warranty
 LEGAL FOR SALE IN CALIFORNIA: Yes



TYPE:
 JOB:
 ORDER CODE:
 APPROVALS: