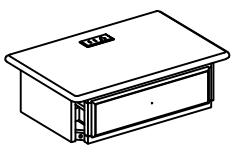
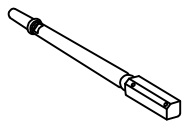
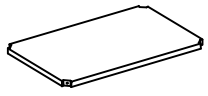






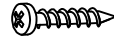
Assembly Instructions, #20022

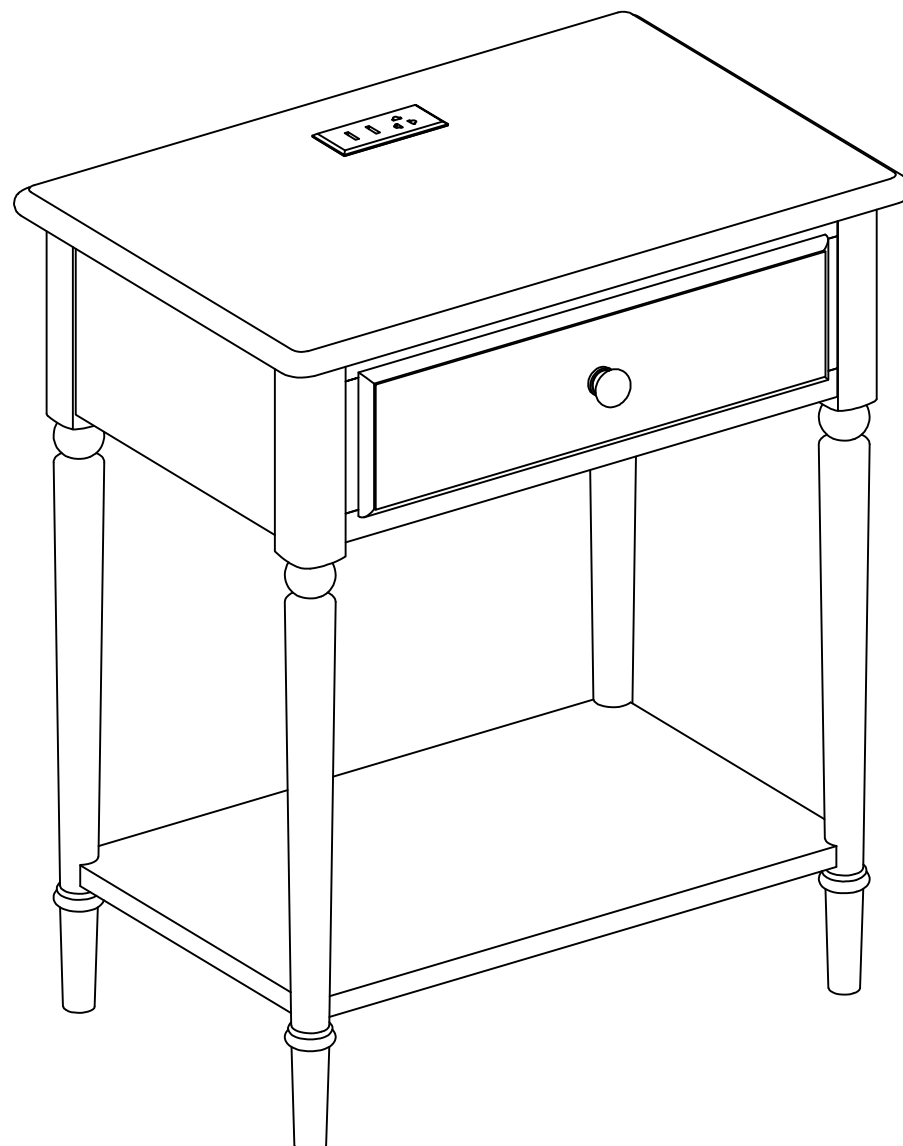
Coastal Side Table with Charging Outlet

Parts List

Item	Parts	Description	Quantity
A		Top Assembly	1
B		Legs	4
C		Shelf	1

Hardware List

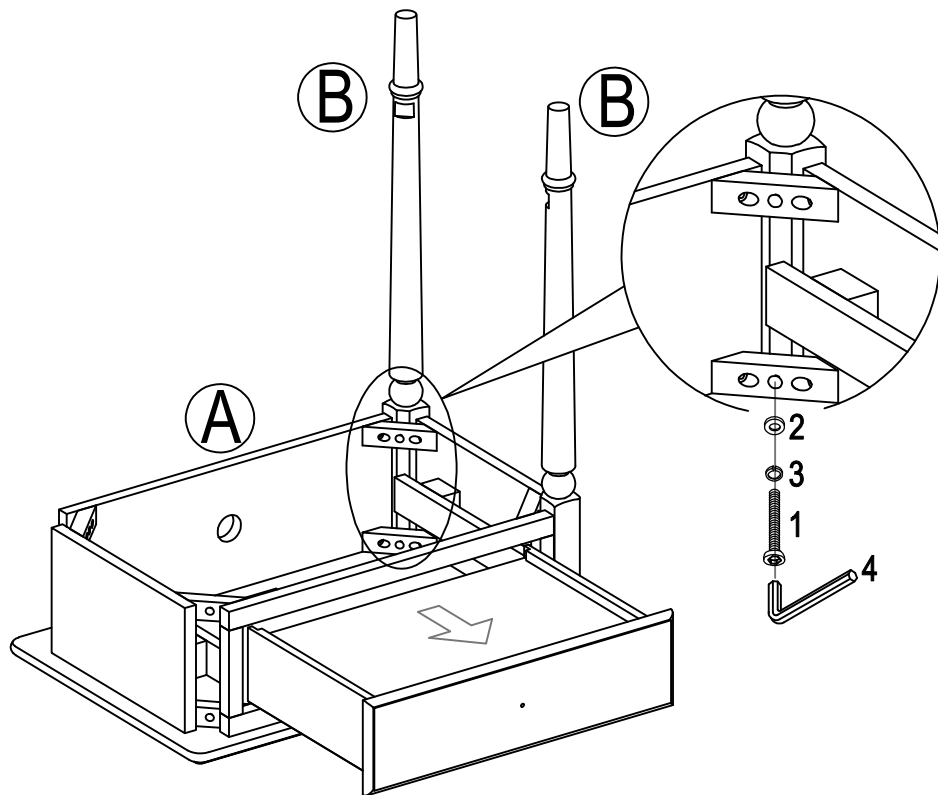
Item	Hardware	Description	Quantity
1		Allen Bolts	8
2		Flat Washers	8
3		Lock Washers	8
4		Allen Wrench	1
5		Wood Screws	4



Assembly Steps

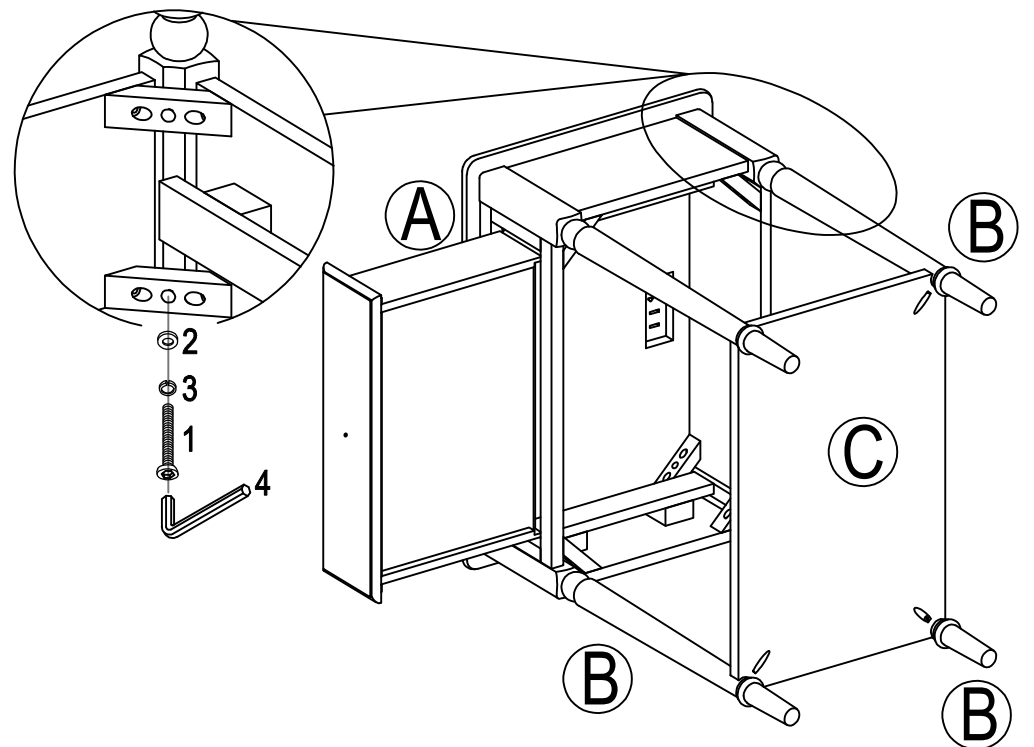
Step 1

- 1.1 Lay the Top Assembly (1) upside-down on a clean surface.
- 1.2 Slide the drawer out to access the four fastening blocks located at the inside corner of Top Assembly.
- 1.3 Fasten two Legs (B) at one end of the Top Assembly (A) with four Allen Bolts. Do not tighten.



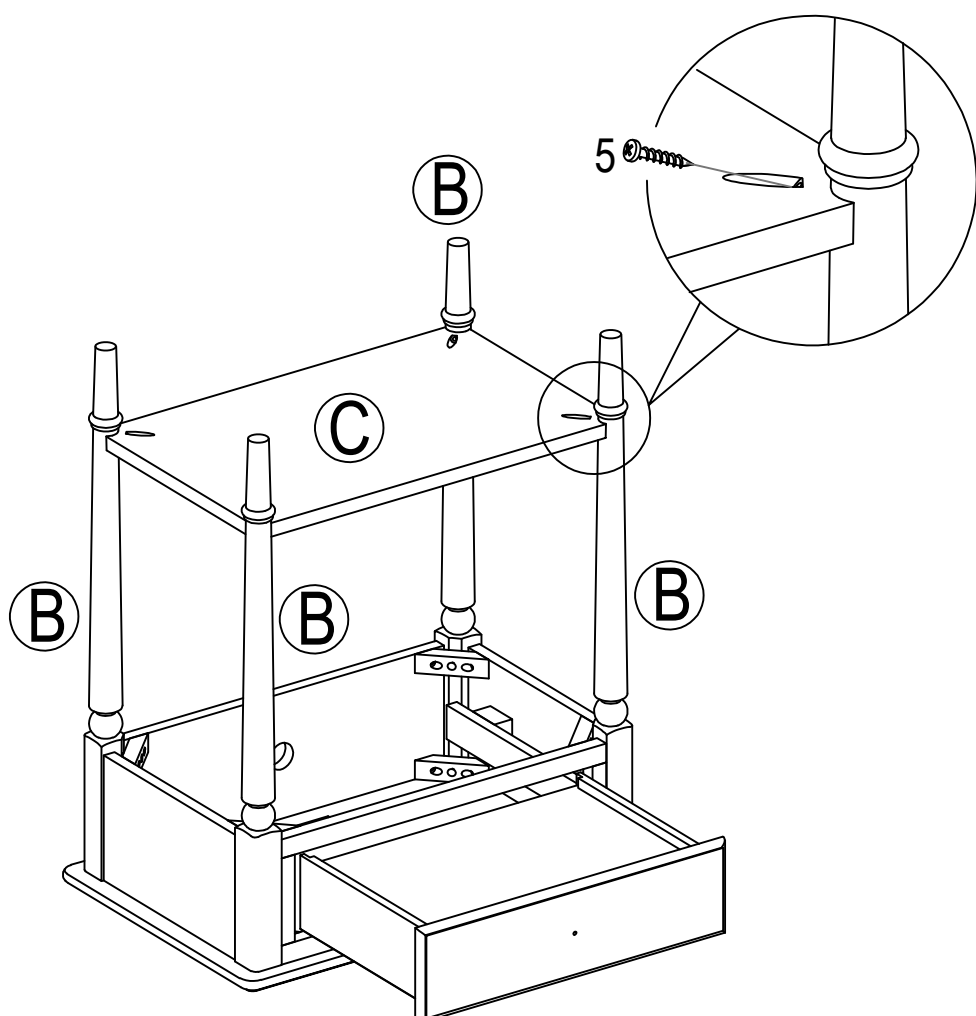
Step 2

- 2.1 Tilt the Top Assembly (A), have it lay on its side with the first two assembled Legs (B) on lower facing side.
- 2.2 Fit the Shelf (D) on the notch of each Leg with the screw holes facing toward the tips of Legs, while fastening the remaining two Legs (B) into the upper facing side of Top Assembly (A) with four Allen Bolts.
- 2.3 Check to make sure all parts are properly aligned and tighten all the bolts.



Step 3

Lay the assembled piece upside-down and fasten the Shelf (C) to the Legs (B) with four Wood Screws.



Step 4

- 4.1 Position the assembled piece upright. Unscrew the knob from the drawer front and invert to make it face outside.
- 4.2 Push the drawer in.

